

# PUMP PERFORMANCE CURVES

TYPE: SUBMERSIBLE DRAINAGE PUMP

MODEL: 50PS0.4

FREQUENCY: 50Hz

## STANDARD SPECIFICATIONS

DISCHARGE BORE

50 mm

HEAD

Max: 12 m

Rated: 8 m

CAPACITY

Max: 0.21 m<sup>3</sup>/min

Rated: 0.12 m<sup>3</sup>/min

MOTOR OUTPUT

0.4 kW

PHASE x VOLTAGE

3 Øx 380/400V

CURRENT

1.3 A

POLES/REVOLUTION

2 P/ S.S.2850 min<sup>-1</sup>

STARTING METHOD

Direct-on-line start

INSULATION CLASS

F

60  
50  
40  
30  
20  
10  
0  
0.6  
0.5  
0.4

12  
9  
6  
3

TOTAL HEAD

PUMP EFF.

INPUT

50PS0.4  
50Hz

%

kW

m

0

2

4

6

8

10

12

m<sup>3</sup>/h

PUMP  
EFF.

INPUT  
(P1)

TOTAL  
HEAD

0

0.05

0.1

0.15

0.2

m<sup>3</sup>/min

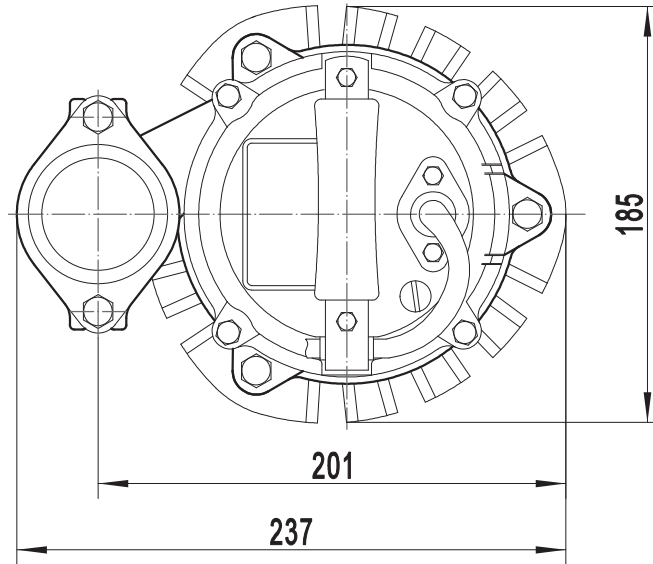
Capacity

**SOLIDPUMP EUROPE SIA**

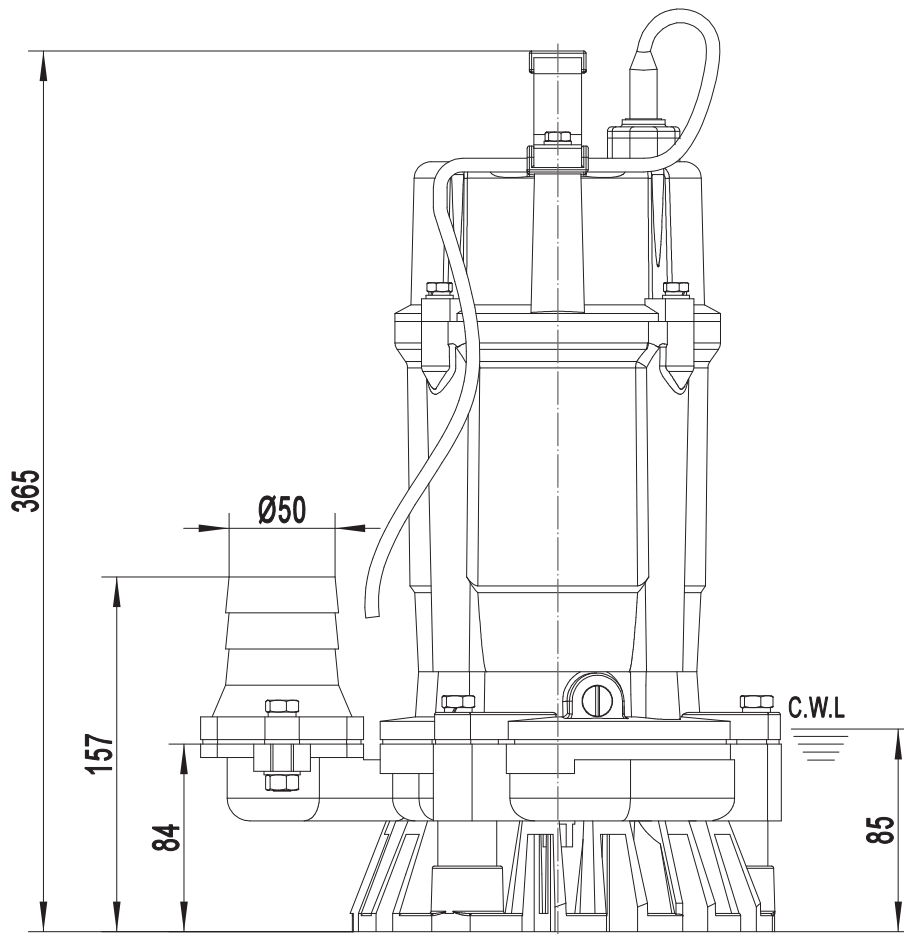
DIMENSION DRAWING

TYPE: **SUBMERSIBLE DRAINAGE PUMP**

MODEL: 50PS0.4



| Model   | N.W(kg) |
|---------|---------|
| 50PS0.4 | 13.5    |

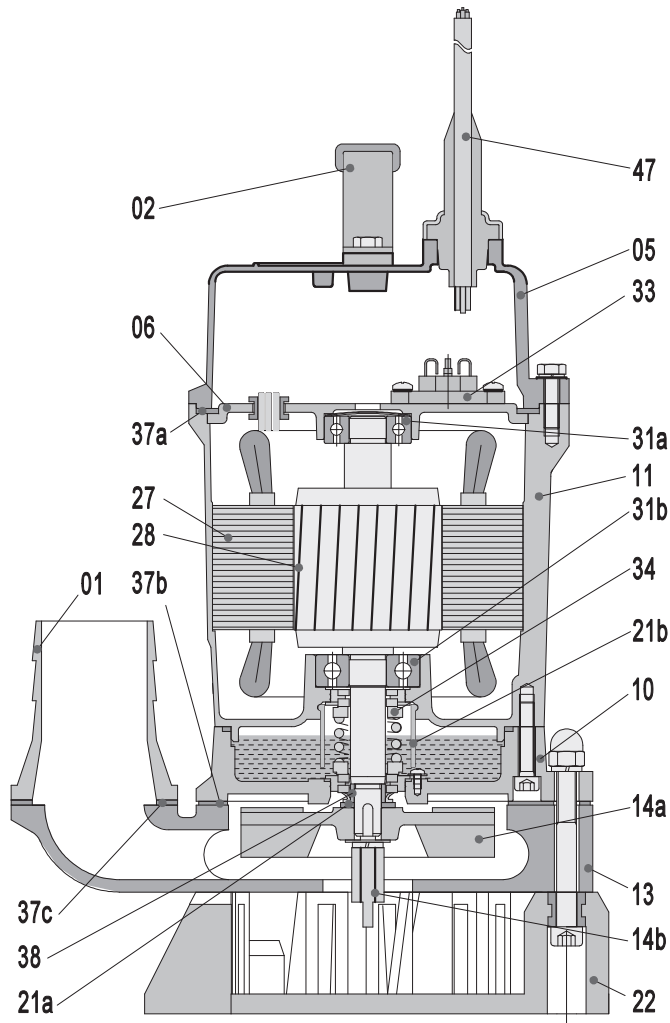


C.W.L.:Continuous Running Water Level.

**SOLIDPUMP EUROPE SIA**

**DIMENSION DRAWING**  
**TYPE: SUBMERSIBLE DRAINAGE PUMP**

**MODEL: 50PS0.4**



| Item No. | Part name        | Material             | Item No. | Part name       | Material                   |
|----------|------------------|----------------------|----------|-----------------|----------------------------|
| 01       | Hose coupling    | Cast iron            | 27       | Stator          |                            |
| 02       | Handle           | Rubber&steel         | 28       | Rotor           | Shaft:AISI420SS            |
| 05       | Upper cover      | Aluminum die casting | 31a      | Bearing         | Ball bearing               |
| 06       | Up-Bearing house | Cast iron            | 31b      | Bearing         | Ball bearing               |
| 10       | Seal house       | Cast iron            | 33       | Motor protector |                            |
| 11       | Motor body       | Aluminum die casting | 34       | Mechanical seal | Ceramic-Sic/Carbon-Ceramic |
| 13       | Pump body        | Cast iron            | 37a      | Gasket          | NBR                        |
| 14a      | Impeller         | Ductile iron         | 37b      | Gasket          | NBR                        |
| 14b      | Agitator         | Stainless steel      | 37c      | Gasket          | NBR                        |
| 21a      | Sand guard       | NBR                  | 38       | Shaft sleeve    | AISI420SS                  |
| 21b      | Oil riser        | LDPE                 | 47       | Cable           | H07RN-F                    |
| 22       | Seat assembly    | PU                   |          |                 |                            |

*Specifications can be changed without notice*

**Solidpump Europe SIA**

Uriekstes iela 14a  
 Rīga, LV-1005  
 LATVIA

Tel.: + 371 66968996  
 E-mail: info@solidpump.com  
 www.solidpump.com

Ver. 21.11.2022

**SOLIDPUMP EUROPE SIA**