

# PUMP PERFORMANCE CURVES

TYPE: SUBMERSIBLE DRAINAGE PUMP

MODEL: 200MH75

FREQUENCY: 50Hz

## STANDARD SPECIFICATIONS

DISCHARGE BORE

200 mm

HEAD

Max: 70 m

Rated: 60 m

CAPACITY

Max: 6.8 m<sup>3</sup>/min

Rated: 4.5 m<sup>3</sup>/min

MOTOR OUTPUT

75 kW

PHASE x VOLTAGE

3 Øx 380/400V

CURRENT

134 A

POLES/REVOLUTION

2 P/ S.S.2850 min<sup>-1</sup>

STARTING METHOD

Star-Delta start

INSULATION CLASS

F/H

60  
50  
40  
30  
20  
10  
0

80  
60  
40

80  
60  
40  
20

TOTAL HEAD  
PUMP EFF.

INPUT

200MH75  
50Hz

%

kW

m

0

60

120

180

240

300

360

m<sup>3</sup>/h

PUMP  
EFF.

INPUT  
(P1)

TOTAL  
HEAD

0

2.0

4.0

6.0

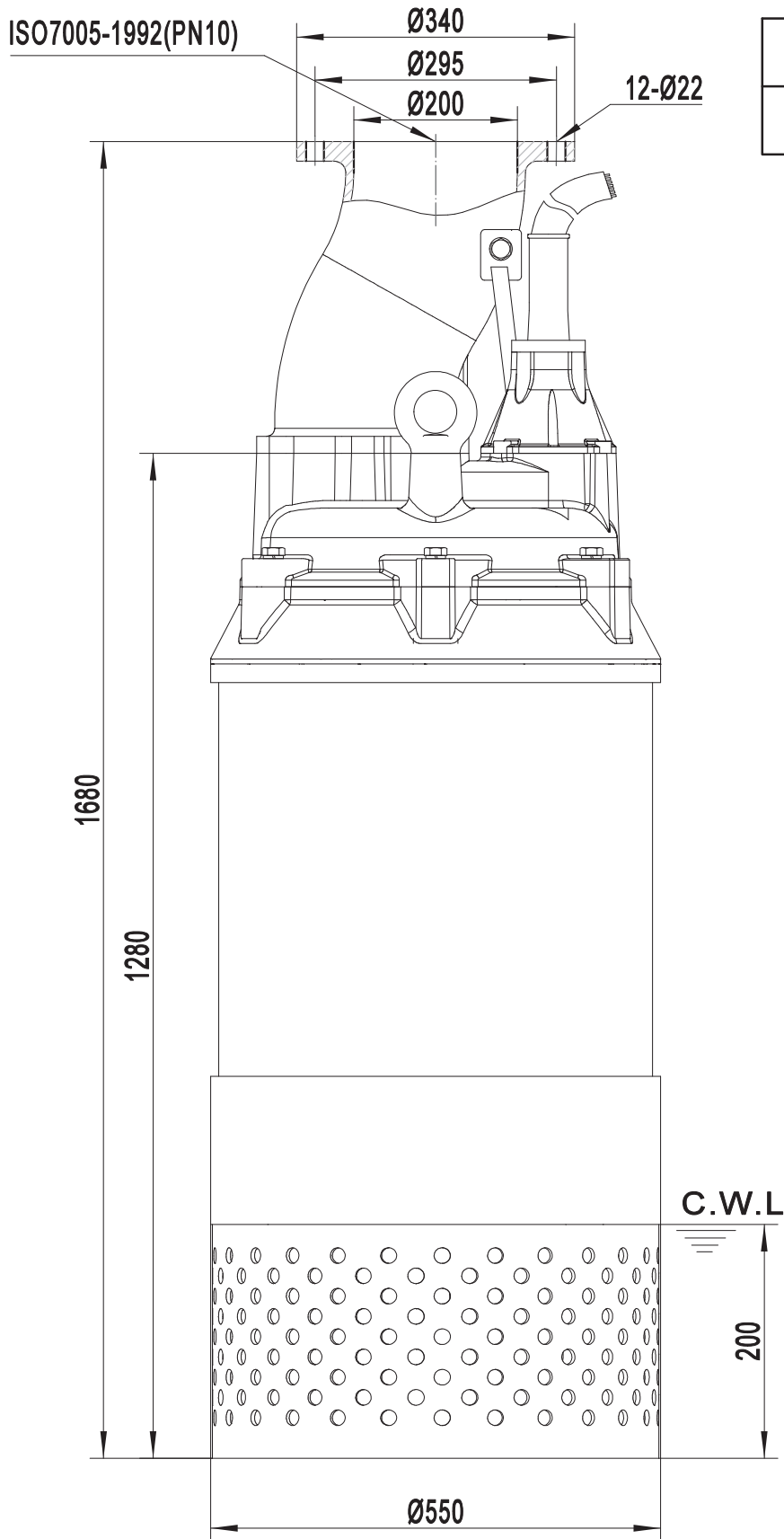
m<sup>3</sup>/min

Capacity

**SOLIDPUMP EUROPE SIA**

DIMENSION DRAWING  
TYPE: **SUBMERSIBLE DRAINAGE PUMP**

MODEL: 200MH75



Model	N.W(kg)
200MH75	880

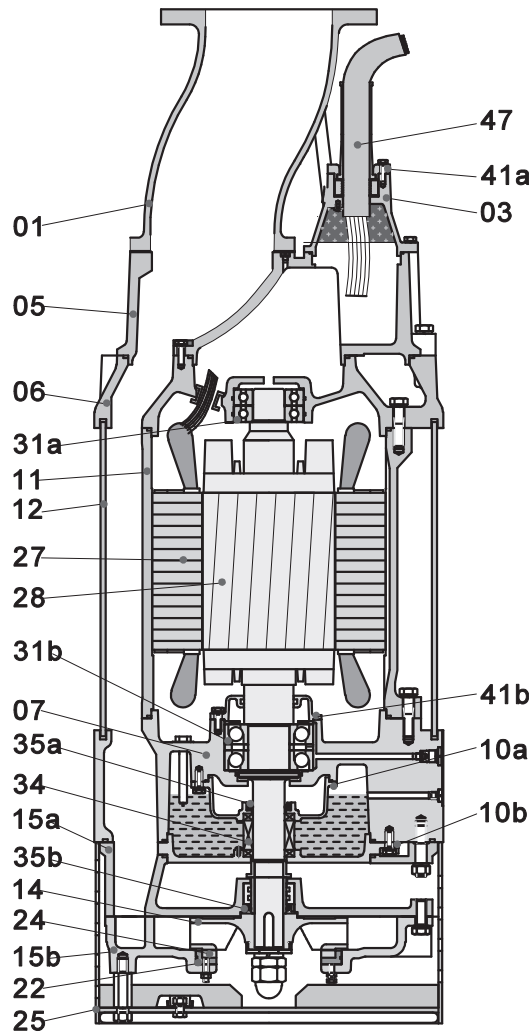
C.W.L.:Continuous Running Water Level.

**SOLIDPUMP EUROPE SIA**

# DIMENSION DRAWING

## TYPE: SUBMERSIBLE DRAINAGE PUMP

MODEL: 200MH75



Item No.	Part name	Material	Item No.	Part name	Material
01	Hose coupling	Ductile iron	24	Neck ring	High chrome alloy
03	Terminal box	Cast iron	25	Strainer	AISI304SS
05	Upper cover	Cast iron	27	Stator	
06	Up-Bearing house	Cast iron	28	Rotor	Shaft:AISI420SS
07	Bearing house	Cast iron	31a	Bearing	Ball bearing
10a	Seal bracket	Cast iron	31b	Bearing	Angular contact bearing
10b	Seal bracket	Cast iron	34	Mechanical seal	Tc-Sic/Sic-Sic
11	Motor body	Cast iron	35a	Oil seal	
12	Outer casing	Steel	35b	Oil seal	
14	Impeller	High chrome alloy	41a	Shim	Cast iron
15a	Diffuser	Cast iron	41b	Shim	Cast iron
15b	Diffuser	Ductile iron	47	Cable	
22	Seat assembly	Cast iron			

*Specifications can be changed without notice*

### Solidpump Europe SIA

Uriekstes iela 14a  
Rīga, LV-1005  
LATVIA

Tel.: + 371 66968996  
E-mail: info@solidpump.com  
www.solidpump.com

Ver. 21.11.2022

**SOLIDPUMP EUROPE SIA**