

PUMP PERFORMANCE CURVES

TYPE: SUBMERSIBLE SLURRY PUMP

MODEL: 100TBS6

FREQUENCY: 50Hz

STANDARD SPECIFICATIONS

DISCHARGE BORE

100 mm

HEAD

Max: 16.9 m

Rated: 10 m

CAPACITY

Max: 2.40 m³/min

Rated: 1.50 m³/min

MOTOR OUTPUT

6 kW

PHASE x VOLTAGE

3 Øx 380/400V

CURRENT

13.8 A

POLES/REVOLUTION

4 P/ S.S.1450 min⁻¹

STARTING METHOD

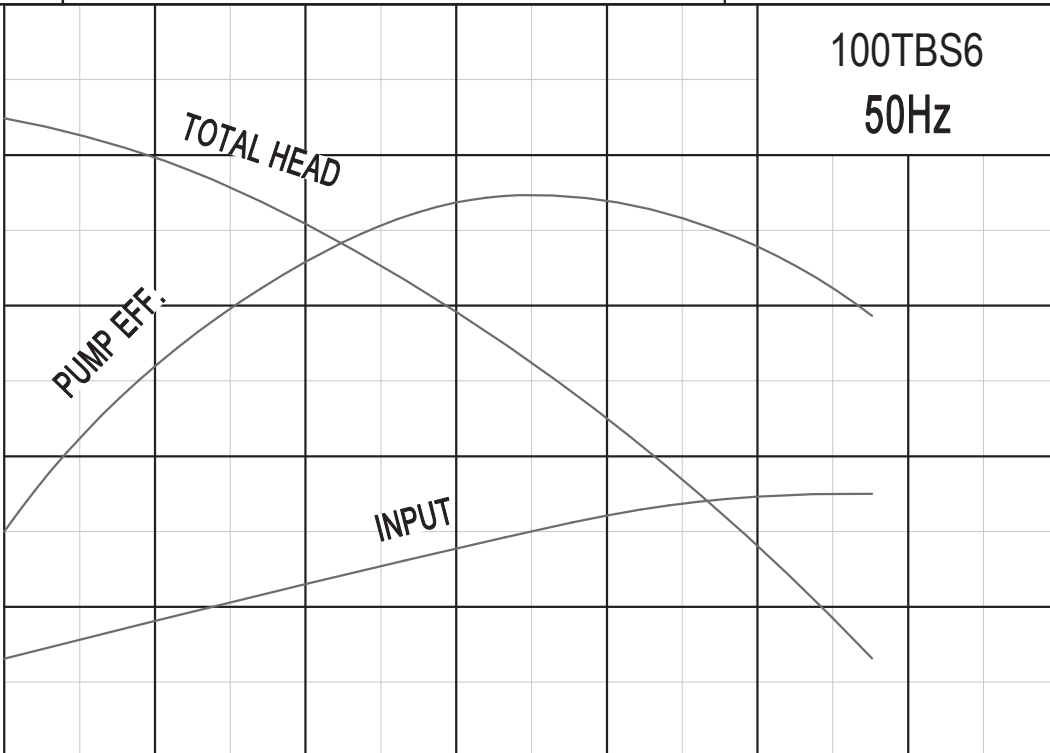
Direct-on-line start

INSULATION CLASS

F

60
50
40
30
20
10
0
6.0
5.0
4.0

16
12
8
4



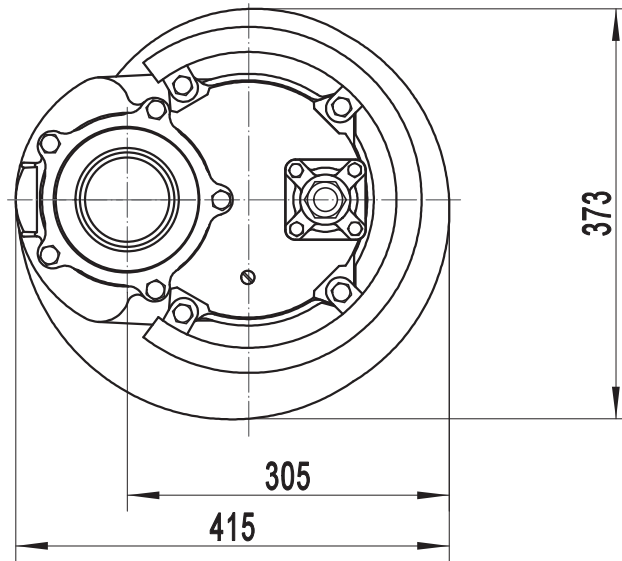
100TBS6
50Hz

%	kW	m	0	25	50	75	100	125	150	m ³ /h
PUMP EFF.	INPUT (P1)	TOTAL HEAD	0			1.25				2.5
										Capacity

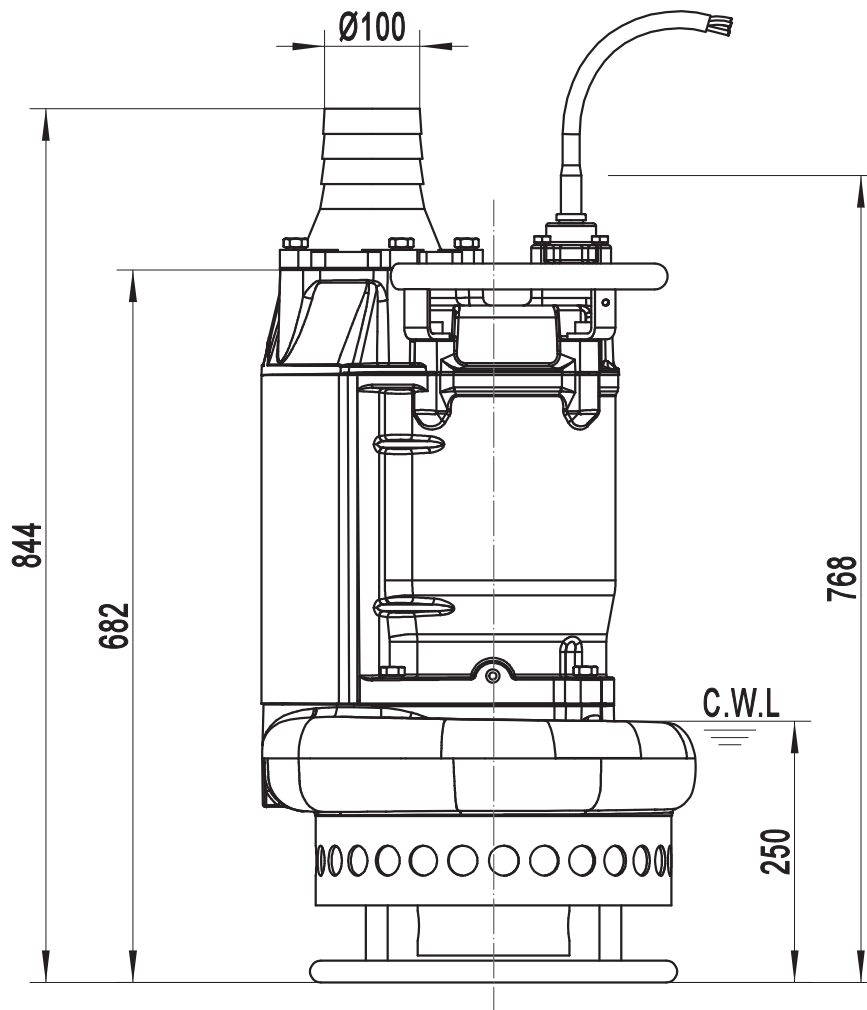
SOLIDPUMP EUROPE SIA

DIMENSION DRAWING
TYPE: **SUBMERSIBLE SLURRY PUMP**

MODEL: 100TBS6



Model	N.W(kg)
100TBS6	141



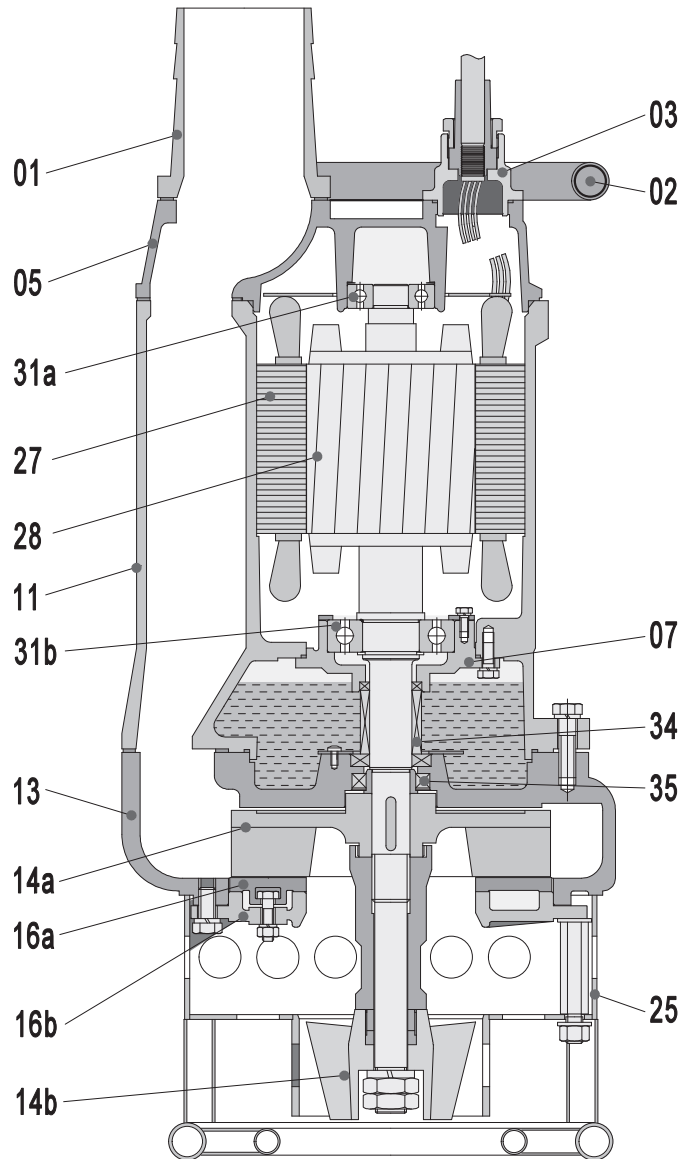
C.W.L.:Continuous Running Water Level.

SOLIDPUMP EUROPE SIA

DIMENSION DRAWING

TYPE: **SUBMERSIBLE SLURRY PUMP**

MODEL: 100TBS6



Item No.	Part name	Material	Item No.	Part name	Material
01	Hose coupling	Cast iron	16b	Inlet plate	Cast iron
02	Handle	Steel	25	Strainer	Steel
05	Upper cover	Cast iron	27	Stator	
07	Bearing house	Cast iron	28	Rotor	Shaft:AISI420SS
11	Motor body	Cast iron	31a	Bearing	Ball bearing
13	Pump body	Cast iron	31b	Bearing	Ball bearing
14a	Impeller	High chrome alloy	34	Mechanical seal	Sic-Sic/Sic-Sic
14b	Agitator	High chrome alloy	35	Oil seal	
16a	Inlet plate	High chrome alloy	47	Cable	

Specifications can be changed without notice

Solidpump Europe SIA

Uriekstes iela 14a
Rīga, LV-1005
LATVIA

Tel.: + 371 66968996
E-mail: info@solidpump.com
www.solidpump.com

Ver. 21.11.2022

SOLIDPUMP EUROPE SIA