

PUMP PERFORMANCE CURVES

TYPE: SUBMERSIBLE DRAINAGE PUMP

MODEL: 150MH90

FREQUENCY: 50Hz

STANDARD SPECIFICATIONS

DISCHARGE BORE

150 mm

HEAD

Max: 145 m

Rated: 130 m

CAPACITY

Max: 2.7 m³/min

Rated: 2.0 m³/min

MOTOR OUTPUT

90 kW

PHASE x VOLTAGE

3 Øx 380/400V

CURRENT

162 A

POLES/REVOLUTION

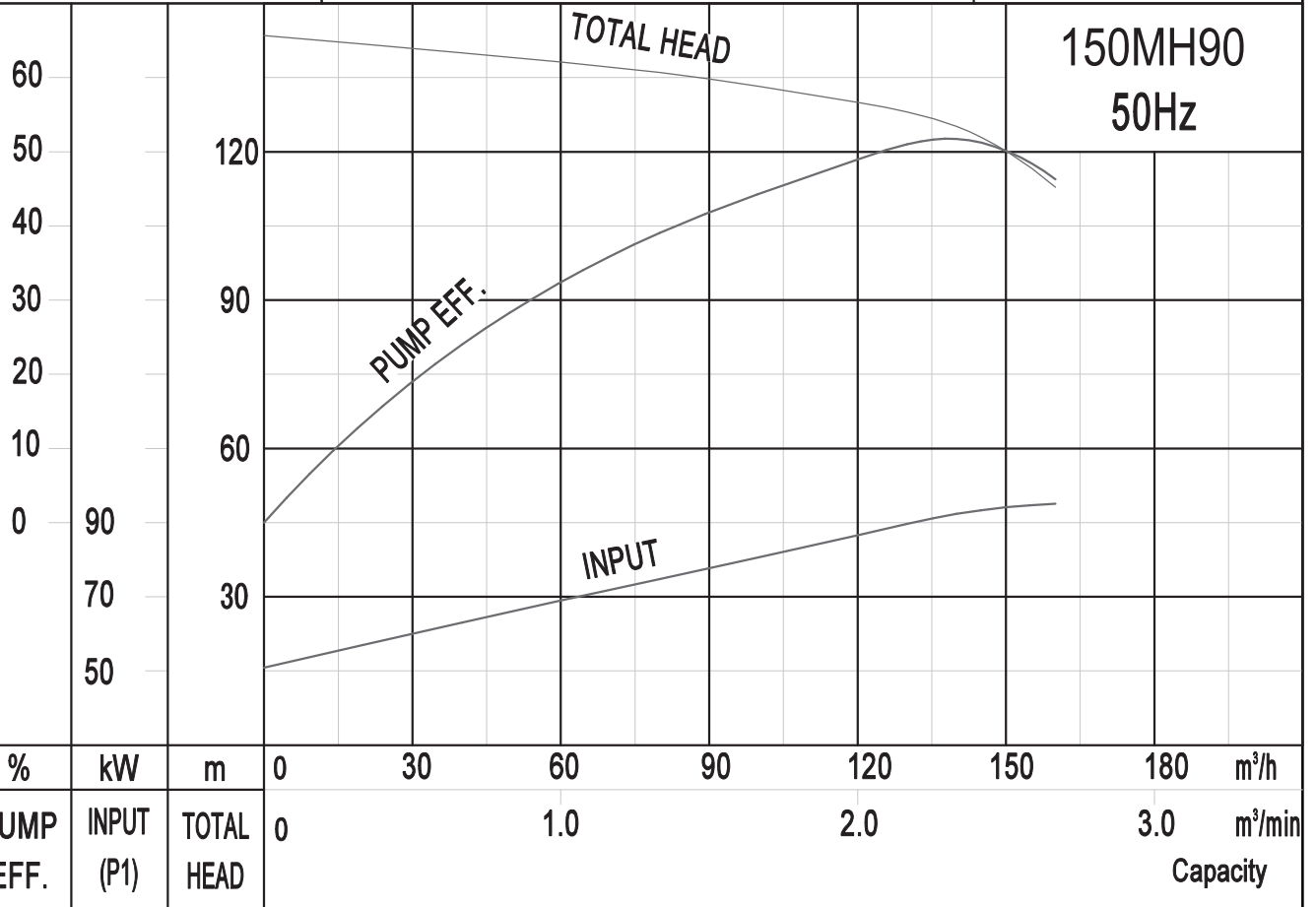
2 P/ S.S.2850 min⁻¹

STARTING METHOD

Stae-Delta start

INSULATION CLASS

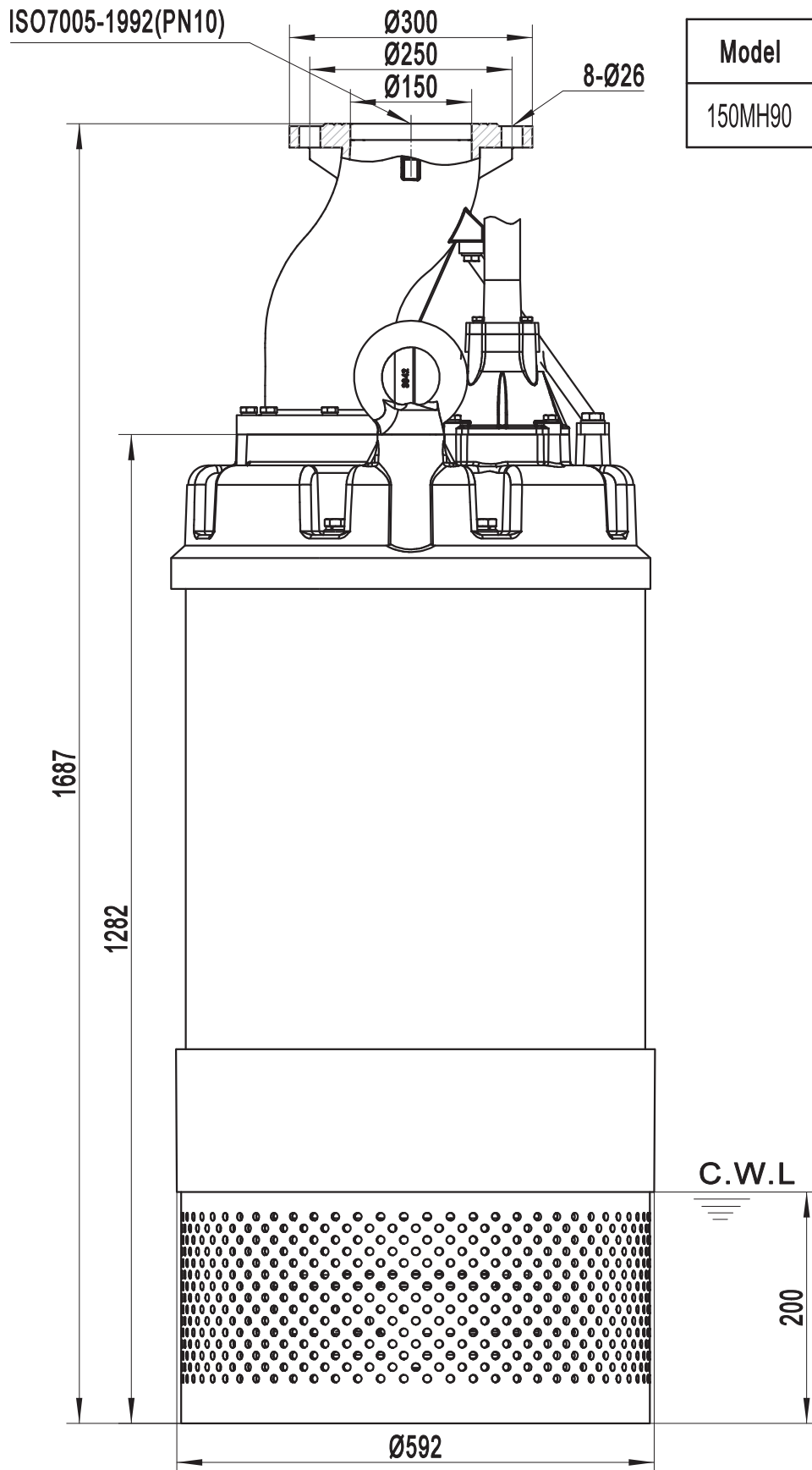
F/H



SOLIDPUMP EUROPE SIA

DIMENSION DRAWING
 TYPE: **SUBMERSIBLE DRAINAGE PUMP**

MODEL: 150MH90



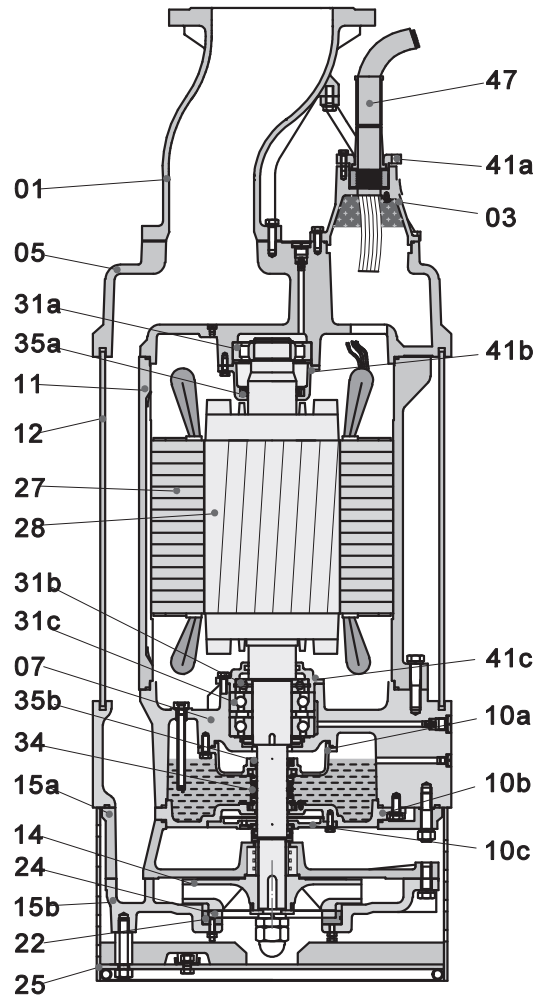
C.W.L.: Continuous Running Water Level.

SOLIDPUMP EUROPE SIA

DIMENSION DRAWING

TYPE: SUBMERSIBLE DRAINAGE PUMP

MODEL: 150MH90



Item No.	Part name	Material	Item No.	Part name	Material
01	Hose coupling	Ductile iron	25	Strainer	AISI304SS
03	Terminal box	Cast iron	27	Stator	
05	Upper cover	Cast iron	28	Rotor	Shaft:AISI420SS
07	Bearing house	Cast iron	31a	Bearing	Cylindrical roller bearing
10a	Seal bracket	Cast iron	31b	Bearing	Angular contact bearing
10b	Seal bracket	Cast iron	31c	Bearing	Angular contact bearing
10c	Seal bracket	Cast iron	34a	Mechanical seal	Tc-Sic/Sic-Sic
11	Motor body	Cast iron	34b	Mechanical seal	Sic-Sic
12	Outer casing	Steel	35a	Oil seal	
14	Impeller	High chrome alloy	35b	Oil seal	
15a	Diffuser	Cast iron	41a	Shim	Cast iron
15b	Diffuser	Ductile iron	41b	Shim	Cast iron
22	Seat assembly	Cast iron	41c	Shim	Cast iron
24	Neck ring	High chrome alloy	47	Cable	

Specifications can be changed without notice

Solidpump Europe SIA

Uriekstes iela 14a
Rīga, LV-1005
LATVIA

Tel.: + 371 66968996
E-mail: info@solidpump.com
www.solidpump.com

Ver. 21.11.2022

SOLIDPUMP EUROPE SIA