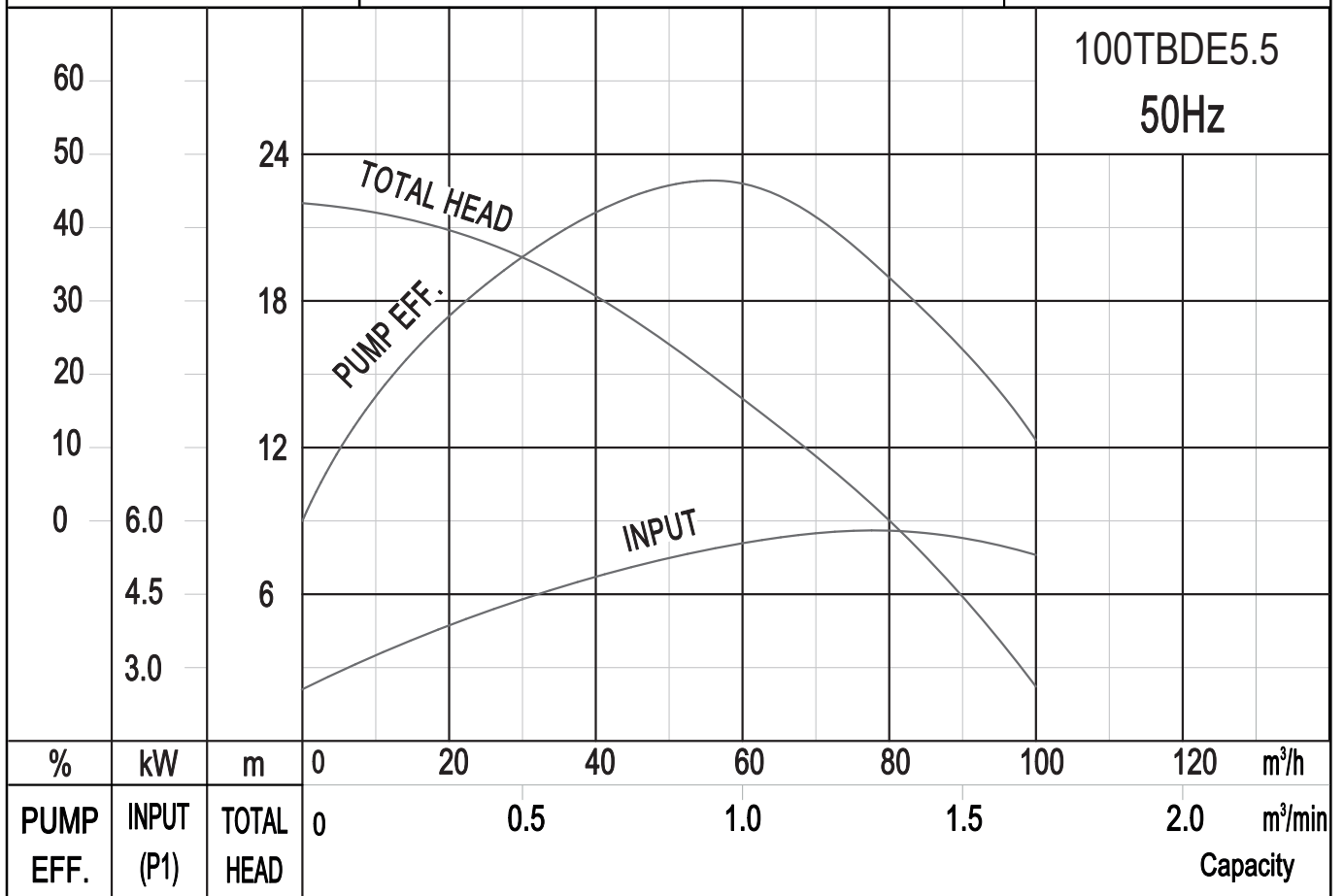


# PUMP PERFORMANCE CURVES

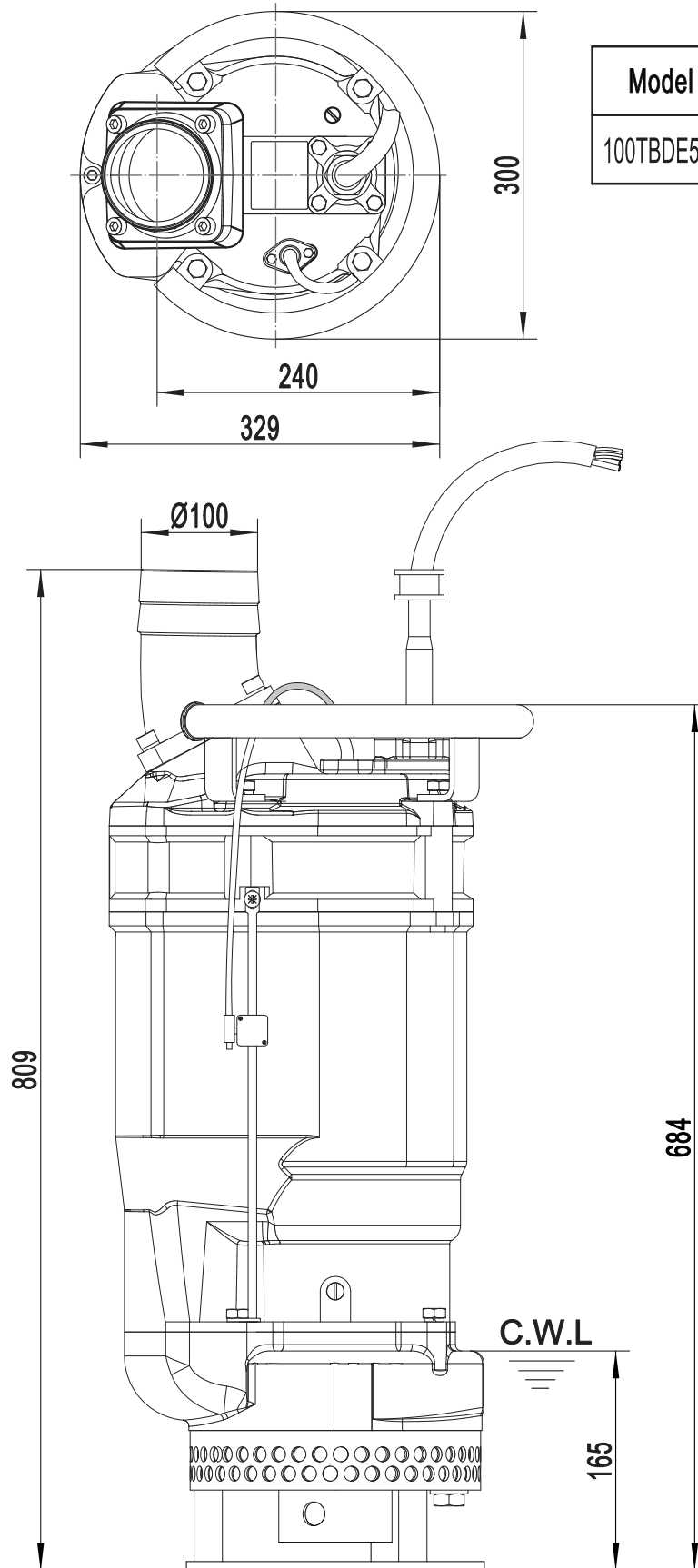
TYPE: INTELLIGENT SUBMERSIBLE SLURRY PUMP	MODEL:100TBDE5.5	FREQUENCY: 50Hz
	<b>STANDARD SPECIFICATIONS</b>	
DISCHARGE BORE	100 mm	
HEAD	Max: 22 m	Rated: 14 m
CAPACITY	Max: 1.67 m <sup>3</sup> /min	Rated: 1.0 m <sup>3</sup> /min
MOTOR OUTPUT	5.5 kW	
PHASE x VOLTAGE	3 Øx 400 V	
CURRENT	11.4 A	
POLES/REVOLUTION	2 P/ S.S.2850 min <sup>-1</sup>	
STARTING METHOD	Direct-on-line start	
INSULATION CLASS	F	



**SOLIDPUMP EUROPE SIA**

DIMENSION DRAWING  
TYPE: **SUBMERSIBLE SLURRY PUMP**

MODEL: 100TBDE5.5



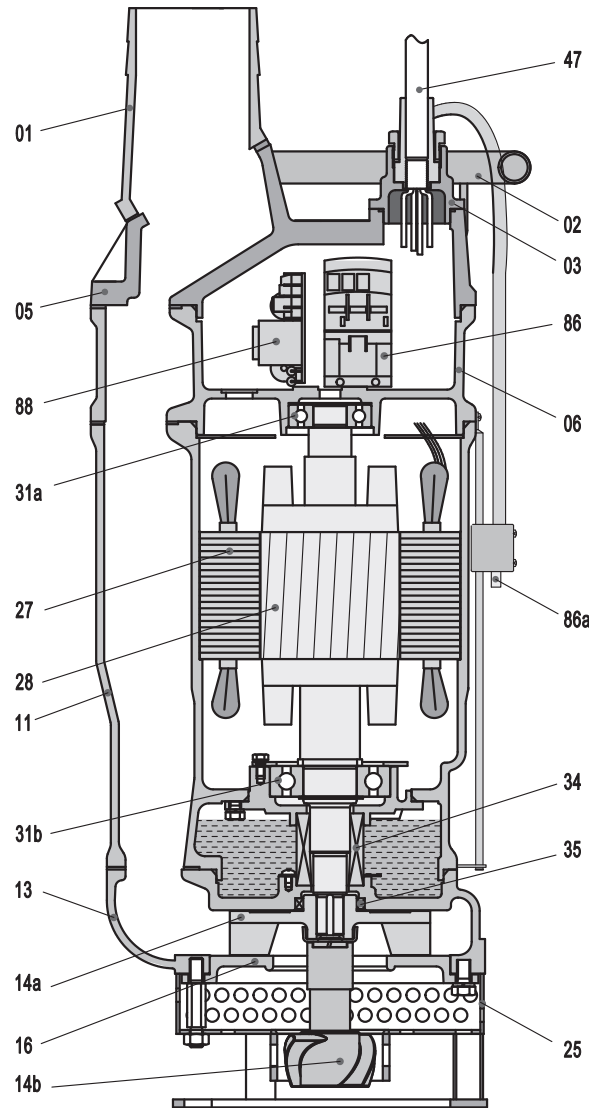
Model	N.W(kg)
100TBDE5.5	87

C.W.L.:Continuous Running Water Level.

**SOLIDPUMP EUROPE SIA**

**DIMENSION DRAWING**  
**TYPE: SUBMERSIBLE SLURRY PUMP**

**MODEL: 100TBDE5.5**



Item No.	Part name	Material	Item No.	Part name	Material
01	Hose coupling	Cast iron	27	Stator	
02	Handle	Steel	28	Rotor	Shaft:AISI420SS
03	Terminal box	Cast iron	31a	Bearing	Ball bearing
05	Upper cover	Cast iron	31b	Bearing	Ball bearing
06	Upper support	Cast iron	34	Mechanical seal	Sic-Sic/Sic-Sic
11	Motor body	Cast iron	35	Oil seal	
13	Pump body	Cast iron	47	Cable	
14a	Impeller	High chrome alloy	86	AC Contactor	
14b	Agitator	High chrome alloy	86a	Water level sensor	
16	Inlet plate	Ductile iron	88	Controller block	
25	Strainer	Steel			

*Specifications can be changed without notice*

**Solidpump Europe SIA**  
 Uriekstes iela 14a  
 Rīga, LV-1005  
 LATVIA  
 Tel.: + 371 66968996  
 E-mail: info@solidpump.com  
 www.solidpump.com

Ver. 21.11.2022

**SOLIDPUMP EUROPE SIA**