

# PUMP PERFORMANCE CURVES

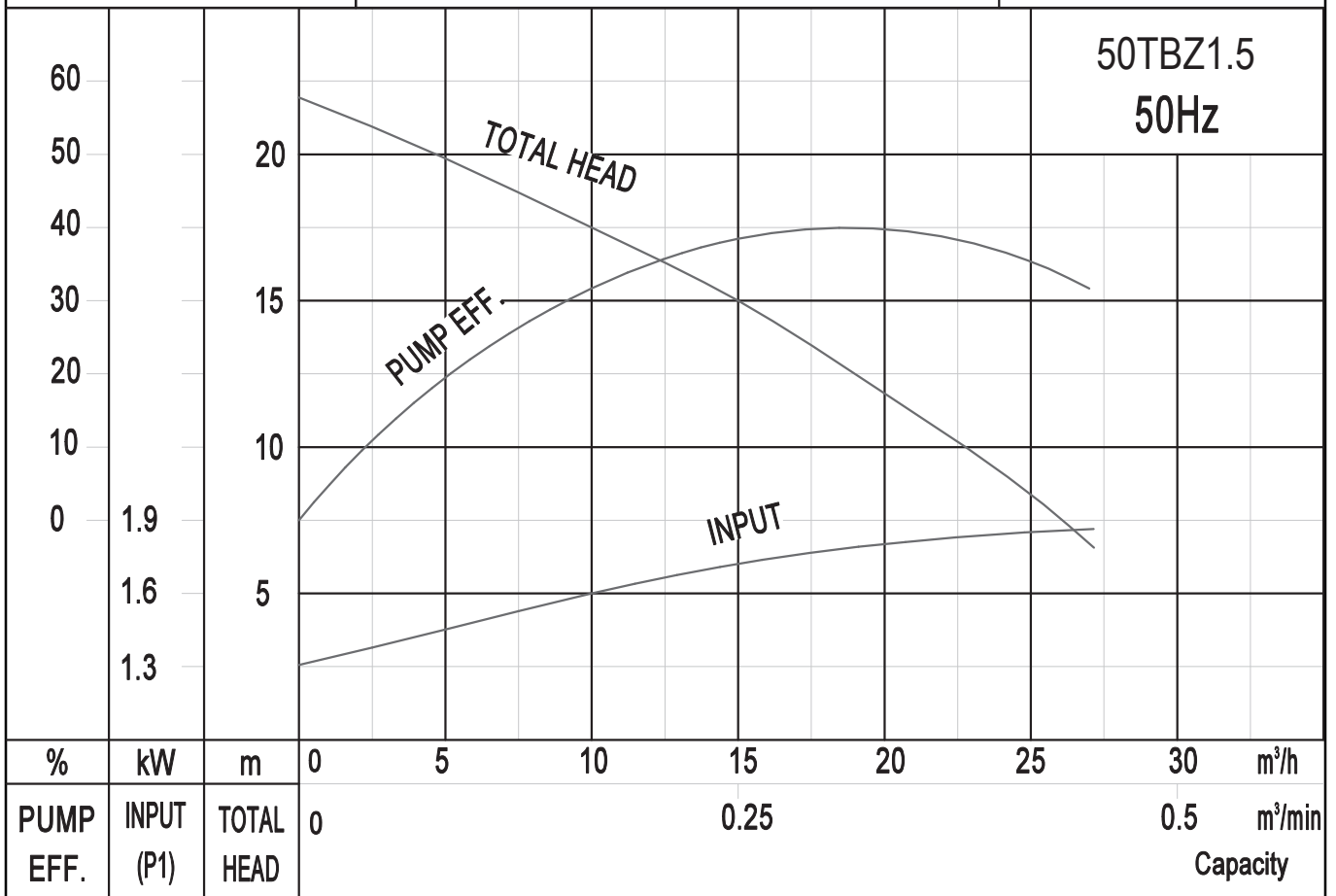
TYPE: SUBMERSIBLE DRAINAGE PUMP

MODEL: 50TBZ1.5

FREQUENCY: 50Hz

## STANDARD SPECIFICATIONS

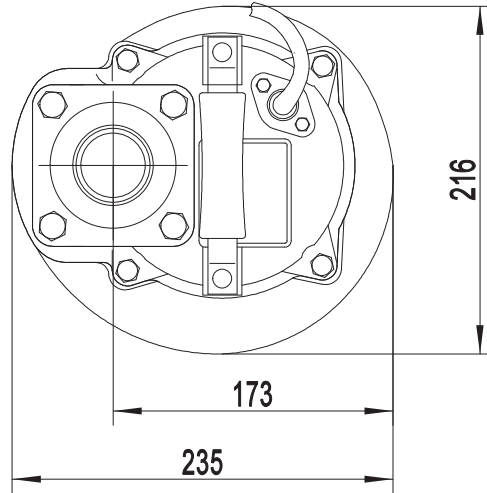
DISCHARGE BORE	50 mm	
HEAD	Max: 22 m	Rated: 15 m
CAPACITY	Max: 0.45 m <sup>3</sup> /min	Rated: 0.25 m <sup>3</sup> /min
MOTOR OUTPUT	1.5 kW	
PHASE x VOLTAGE	3 Øx 400 V	
CURRENT	3.5 A	
POLES/REVOLUTION	2 P/ S.S.2850 min <sup>-1</sup>	
STARTING METHOD	Direct-on-line start	
INSULATION CLASS	F	



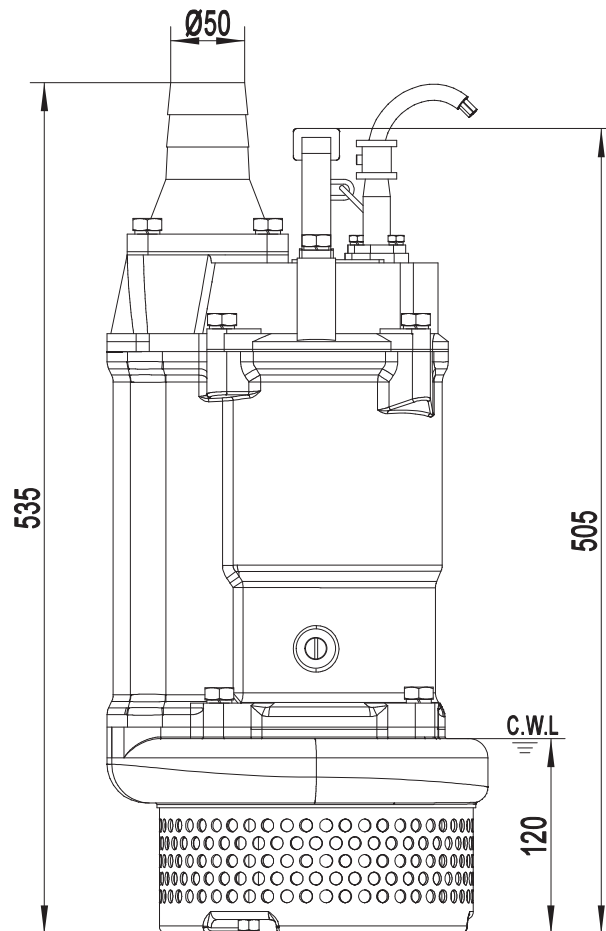
**SOLIDPUMP EUROPE SIA**

DIMENSION DRAWING  
TYPE: **SUBMERSIBLE DRAINAGE PUMP**

MODEL: 50TBZ1.5



Model	N.W(kg)
50TBZ1.5	36

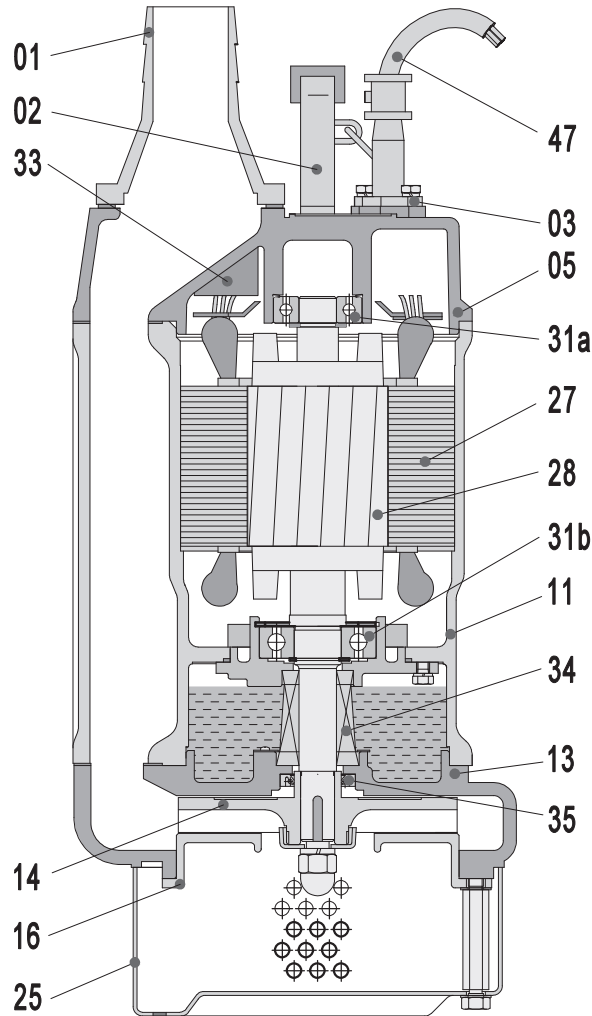


C.W.L:Continuous Running Water Level.

**SOLIDPUMP EUROPE SIA**

**DIMENSION DRAWING**  
**TYPE: SUBMERSIBLE DRAINAGE PUMP**

**MODEL: 50TBZ1.5**



Item No.	Part name	Material	Item No.	Part name	Material
01	Hose coupling	Cast iron	27	Stator	Shaft:AISI420SS
02	Handle	Rubber&steel	28	Rotor	Ball bearing
05	Upper cover	Cast iron	31a	Bearing	Ball bearing
11	Motor body	Cast iron	31b	Bearing	
13	Pump body	Cast iron	33	Motor protector	Sic-Sic/Carbon-Sic
14	Impeller	High chrome alloy	34	Mechanical seal	
16	Inlet plate	Ductile iron	35	Oil seal	
25	Strainer	Steel	47	Cable	

*Specifications can be changed without notice*

**Solidpump Europe SIA**

Uriekstes iela 14a  
 Rīga, LV-1005  
 LATVIA

Tel.: + 371 66968996  
 E-mail: info@solidpump.com  
 www.solidpump.com

Ver. 21.11.2022

**SOLIDPUMP EUROPE SIA**