

# PUMP PERFORMANCE CURVES

TYPE: SUBMERSIBLE DRAINAGE PUMP

MODEL: 80TBZ2.2

FREQUENCY: 50Hz

## STANDARD SPECIFICATIONS

DISCHARGE BORE

80 mm

HEAD

Max: 19 m

Rated: 11 m

CAPACITY

Max: 0.92 m<sup>3</sup>/min

Rated: 0.60 m<sup>3</sup>/min

MOTOR OUTPUT

2.2 kW

PHASE x VOLTAGE

3 Øx 400 V

CURRENT

5.0 A

POLES/REVOLUTION

2 P/ S.S.2850 min<sup>-1</sup>

STARTING METHOD

Direct-on-line start

INSULATION CLASS

F

60  
50  
40  
30  
20  
10  
0  
2.5  
2.0  
1.5

20  
15  
10  
5

TOTAL HEAD  
PUMP EFF.

INPUT

80TBZ2.2  
50Hz

%

kW

m

0

10

20

30

40

50

60

m<sup>3</sup>/h

PUMP  
EFF.

INPUT  
(P1)

TOTAL  
HEAD

0

0.25

0.5

0.75

1.0

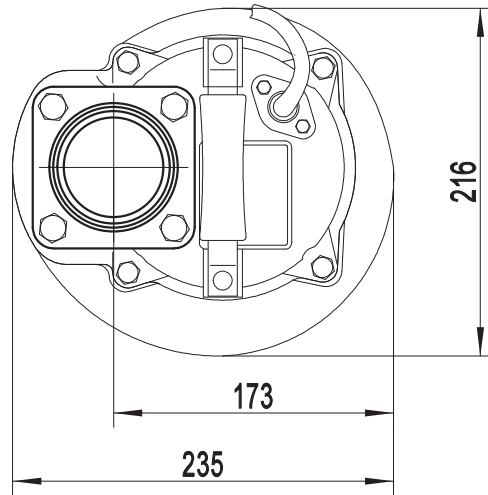
m<sup>3</sup>/min

Capacity

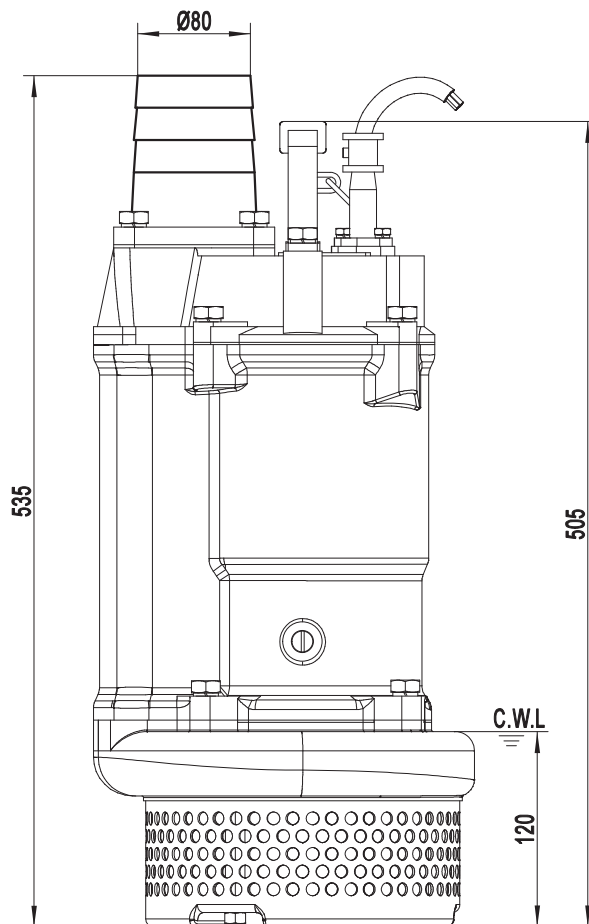
SOLIDPUMP EUROPE SIA

DIMENSION DRAWING  
TYPE: **SUBMERSIBLE DRAINAGE PUMP**

MODEL: 80TBZ2.2



Model	N.W(kg)
80TBZ2.2	39



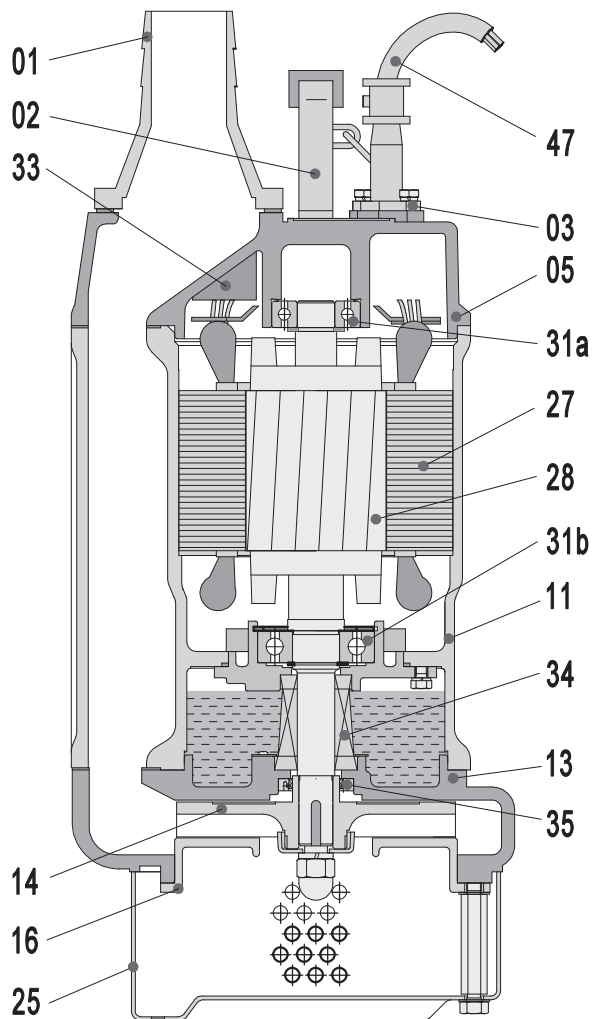
C.W.L.:Continuous Running Water Level.

**SOLIDPUMP EUROPE SIA**

DIMENSION DRAWING

TYPE: **SUBMERSIBLE DRAINAGE PUMP**

MODEL: 80TBZ2.2



Item No.	Part name	Material	Item No.	Part name	Material
01	Hose coupling	Cast iron	27	Stator	Shaft:AISI420SS
02	Handle	Rubber&steel	28	Rotor	Ball bearing
05	Upper cover	Cast iron	31a	Bearing	Ball bearing
11	Motor body	Cast iron	31b	Bearing	
13	Pump body	Cast iron	33	Motor protector	Sic-Sic/Carbon-Sic
14	Impeller	High chrome alloy	34	Mechanical seal	
16	Inlet plate	Ductile iron	35	Oil seal	
25	Strainer	Steel	47	Cable	

*Specifications can be changed without notice*

**Solidpump Europe SIA**  
 Uriekstes iela 14a  
 Rīga, LV-1005  
 LATVIA  
 Tel.: + 371 66968996  
 E-mail: info@solidpump.com  
 www.solidpump.com

Ver. 21.11.2022

**SOLIDPUMP EUROPE SIA**