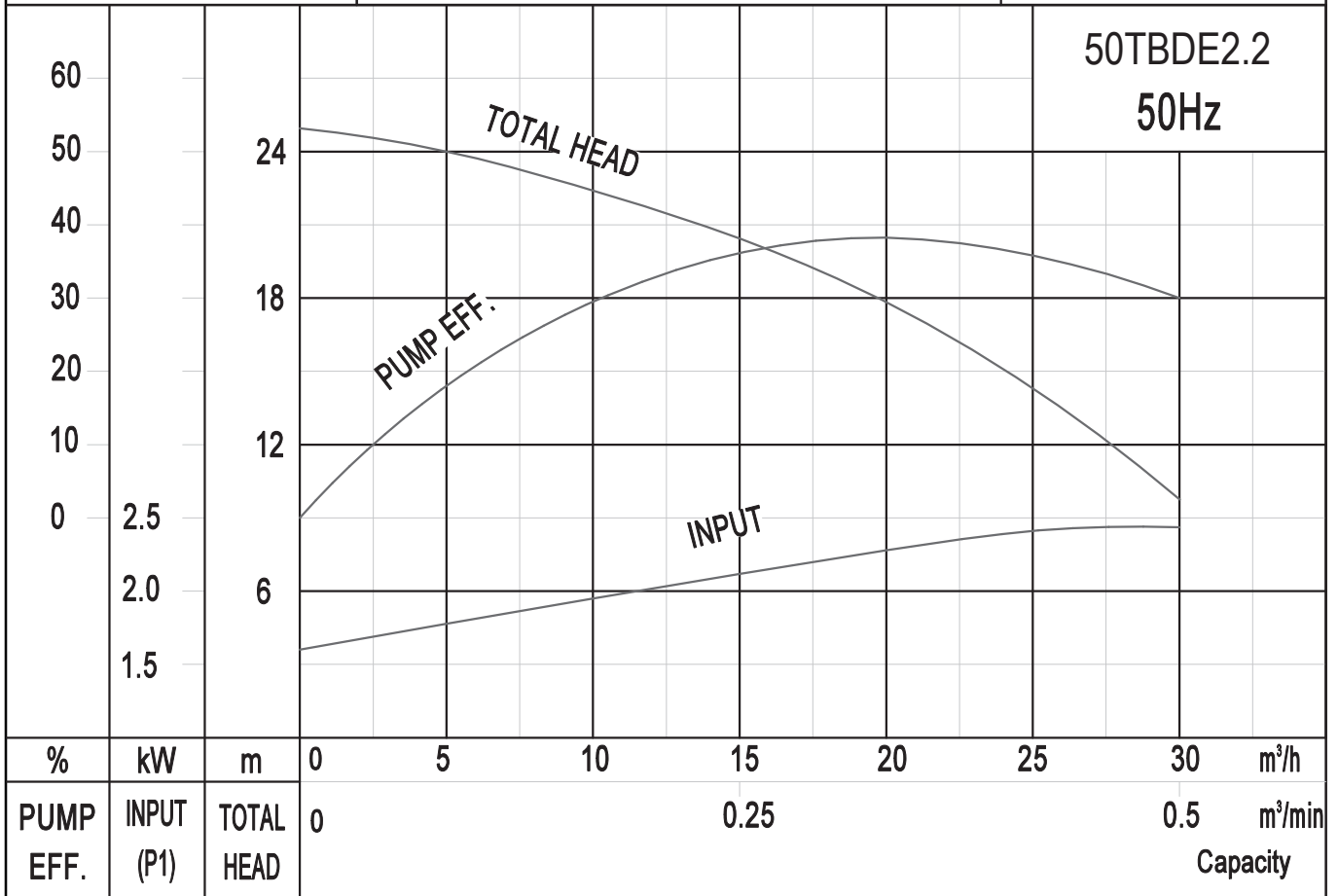


PUMP PERFORMANCE CURVES

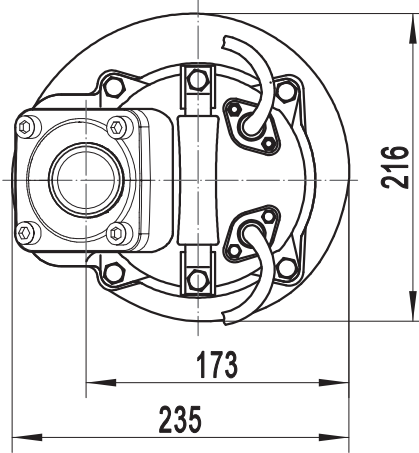
TYPE: INTELLIGENT SUBMERSIBLE SLURRY PUMP	MODEL:50TBDE2.2	FREQUENCY: 50Hz
	STANDARD SPECIFICATIONS	
DISCHARGE BORE	50 mm	
HEAD	Max: 25 m	Rated: 19 m
CAPACITY	Max: 0.50 m ³ /min	Rated: 0.30 m ³ /min
MOTOR OUTPUT	2.2 kW	
PHASE x VOLTAGE	3 Øx 400 V	
CURRENT	5.0 A	
POLES/REVOLUTION	2 P/ S.S.2850 min ⁻¹	
STARTING METHOD	Direct-on-line start	
INSULATION CLASS	F	



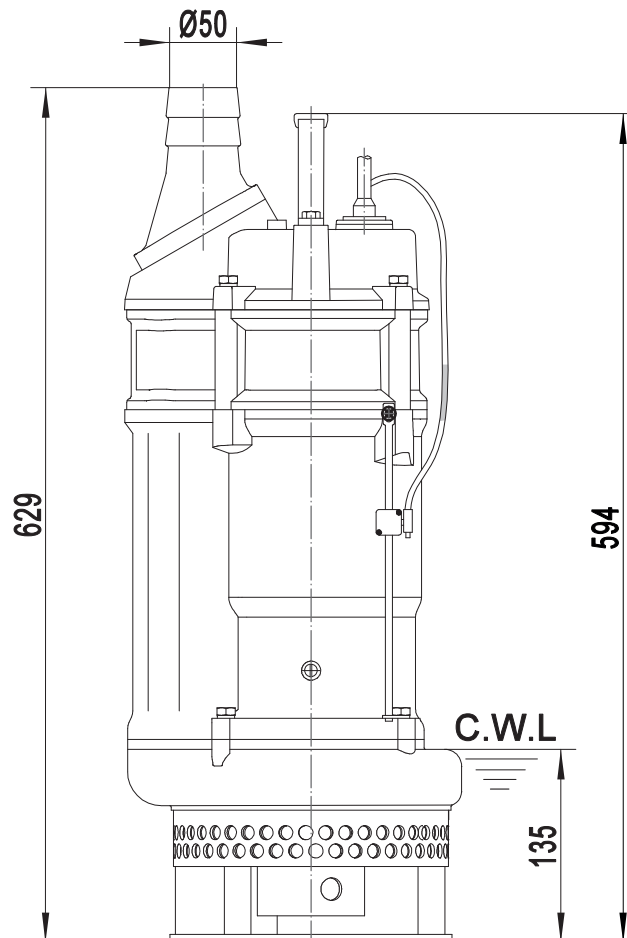
SOLIDPUMP EUROPE SIA

DIMENSION DRAWING
TYPE: **SUBMERSIBLE SLURRY PUMP**

MODEL: 50TBDE2.2



Model	N.W(kg)
50TBDE2.2	46

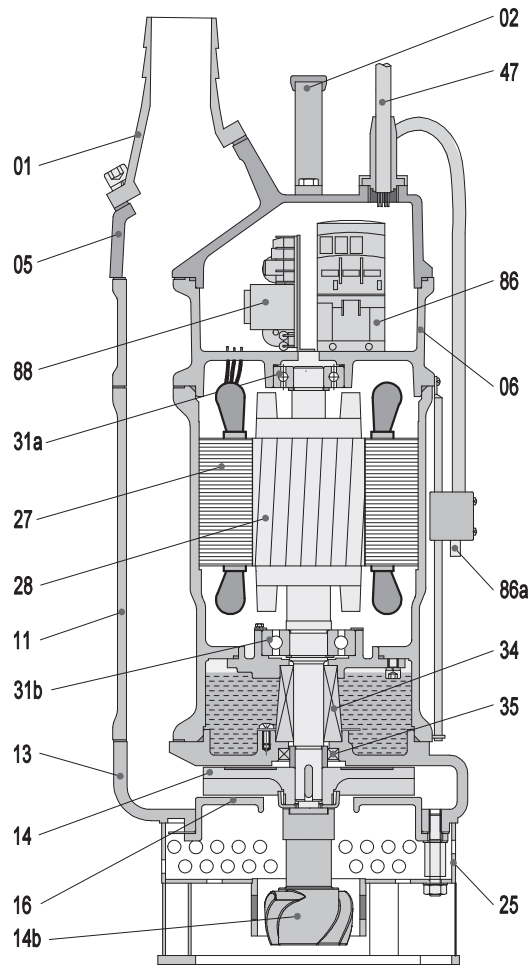


C.W.L.:Continuous Running Water Level.

SOLIDPUMP EUROPE SIA

DIMENSION DRAWING
TYPE: SUBMERSIBLE SLURRY PUMP

MODEL: 50TBDE2.2



Item No.	Part name	Material	Item No.	Part name	Material
01	Hose coupling	Cast iron	27	Stator	
02	Handle	Rubber&steel	28	Rotor	Shaft:AISI420SS
05	Upper cover	Cast iron	31a	Bearing	Ball bearing
06	Upper support	Cast iron	31b	Bearing	Ball bearing
11	Motor body	Cast iron	34	Mechanical seal	Sic-Sic/Carbon-Sic
13	Pump body	Cast iron	35	Oil seal	
14a	Impeller	High chrome alloy	47	Cable	
14b	Agitator	High chrome alloy	86	AC Contactor	
16	Inlet plate	Ductile iron	86a	Water level sensor	
25	Strainer	Steel	88	Controller block	

Specifications can be changed without notice

Solidpump Europe SIA

Uriekstes iela 14a
 Rīga, LV-1005
 LATVIA

Tel.: + 371 66968996
 E-mail: info@solidpump.com
 www.solidpump.com

Ver. 21.11.2022

SOLIDPUMP EUROPE SIA