

PUMP PERFORMANCE CURVES

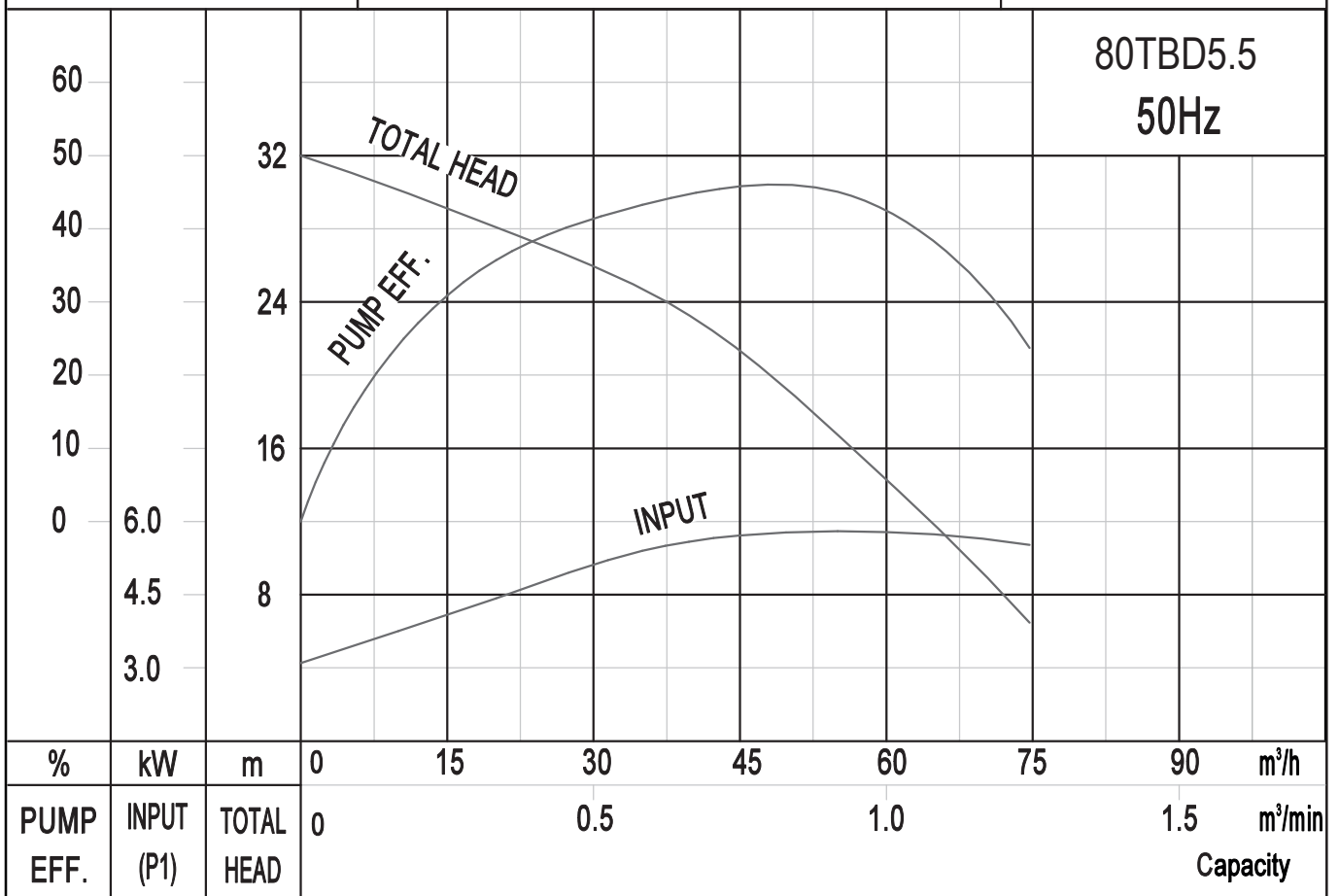
TYPE: SUBMERSIBLE SLURRY PUMP

MODEL: 80TBD5.5

FREQUENCY: 50Hz

STANDARD SPECIFICATIONS

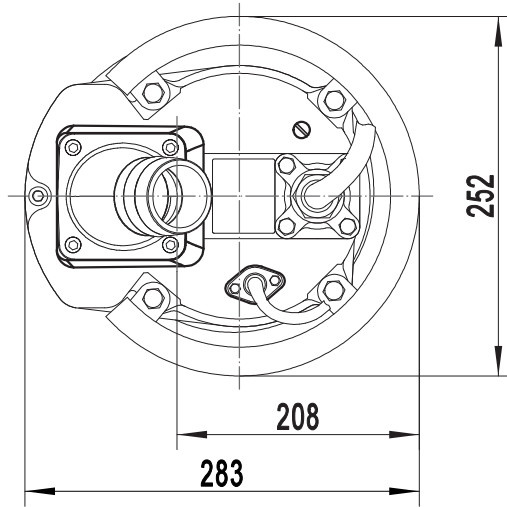
DISCHARGE BORE	80 mm	
HEAD	Max: 32 m	Rated: 23 m
CAPACITY	Max: 1.25 m ³ /min	Rated: 0.6 m ³ /min
MOTOR OUTPUT	5.5 kW	
PHASE x VOLTAGE	3 Øx 400 V	
CURRENT	11.4 A	
POLES/REVOLUTION	2 P/ S.S.2850 min ⁻¹	
STARTING METHOD	Direct-on-line start	
INSULATION CLASS	F	



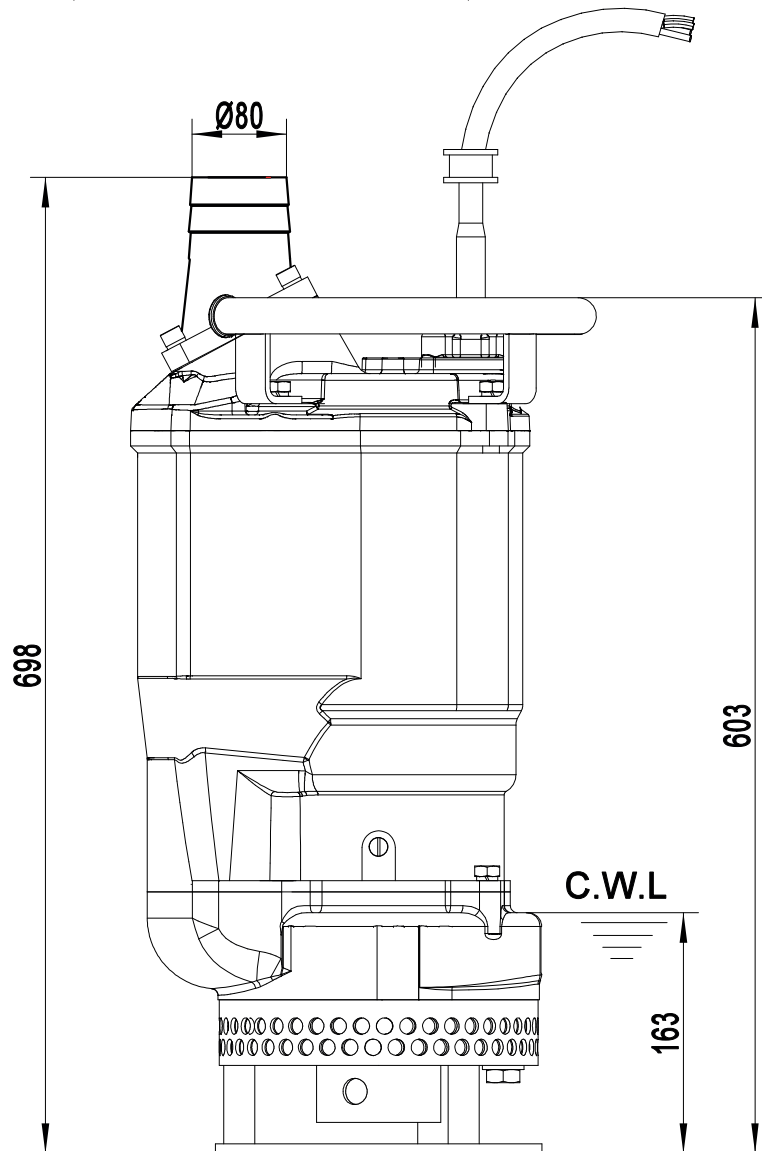
SOLIDPUMP EUROPE SIA

DIMENSION DRAWING
TYPE: **SUBMERSIBLE SLURRY PUMP**

MODEL: 80TBD5.5



Model	N.W(kg)
80TBD5.5	78

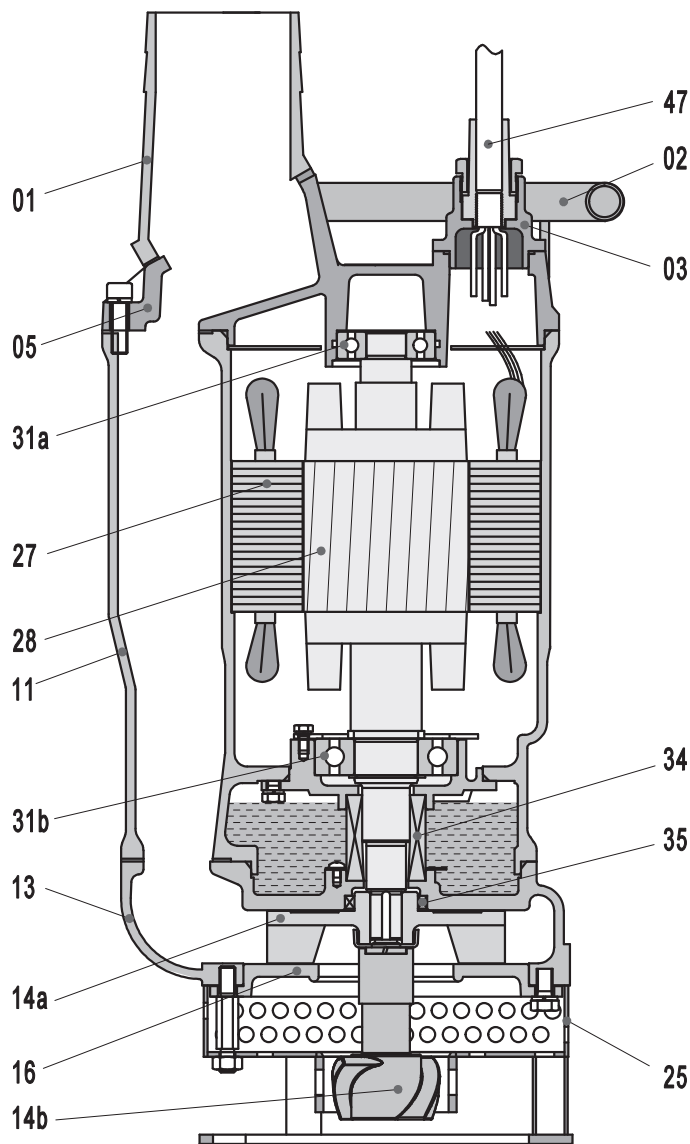


C.W.L.:Continuous Running Water Level.

SOLIDPUMP EUROPE SIA

DIMENSION DRAWING
TYPE: SUBMERSIBLE SLURRY PUMP

MODEL: 80TBD5.5



Item No.	Part name	Material	Item No.	Part name	Material
01	Hose coupling	Cast iron	25	Strainer	Steel
02	Handle	Steel	27	Stator	
03	Terminal box	Cast iron	28	Rotor	Shaft:AISI420SS
05	Upper cover	Cast iron	31a	Bearing	Ball bearing
11	Motor body	Cast iron	31b	Bearing	Ball bearing
13	Pump body	Cast iron	34	Mechanical seal	Sic-Sic/Carbon-Sic
14a	Impeller	High chrome alloy	35	Oil seal	
14b	Agitator	High chrome alloy	47	Cable	
16	Inlet plate	Ductile iron			

Specifications can be changed without notice

Solidpump Europe SIA

Uriekstes iela 14a
 Rīga, LV-1005
 LATVIA

Tel.: + 371 66968996
 E-mail: info@solidpump.com
 www.solidpump.com

Ver. 21.11.2022

SOLIDPUMP EUROPE SIA