

PUMP PERFORMANCE CURVES

TYPE: SUBMERSIBLE DRAINAGE PUMP

MODEL: 200TBL22

FREQUENCY: 50Hz

STANDARD SPECIFICATIONS

DISCHARGE BORE

200 mm

HEAD

Max: 26 m

Rated: 15 m

CAPACITY

Max: 7.5 m³/min

Rated: 5.5 m³/min

MOTOR OUTPUT

22 kW

PHASE x VOLTAGE

3 Øx 400/525 V

CURRENT

42/32 A

POLES/REVOLUTION

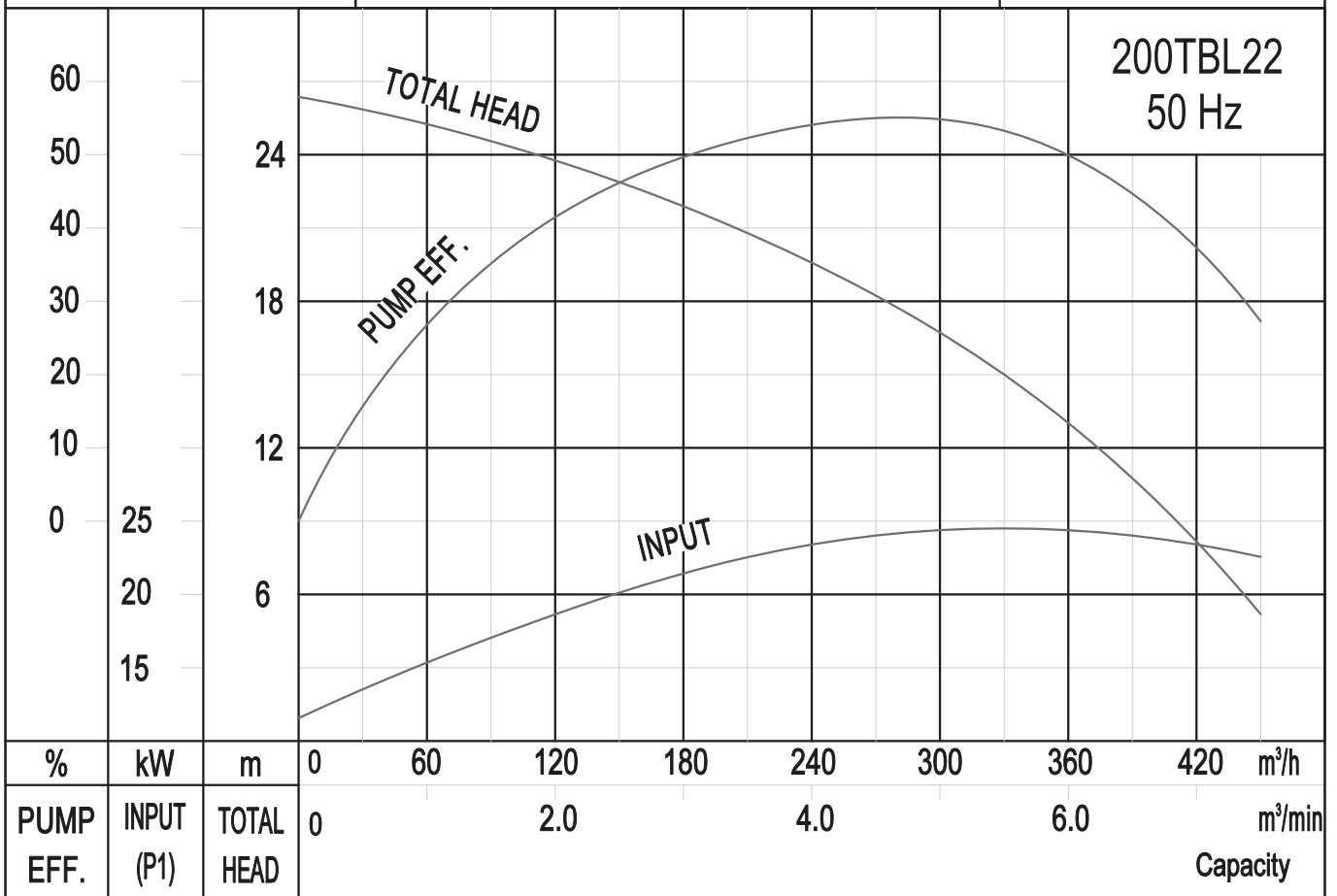
4 P/ S.S.1450 min⁻¹

STARTING METHOD

Star-Delta start

INSULATION CLASS

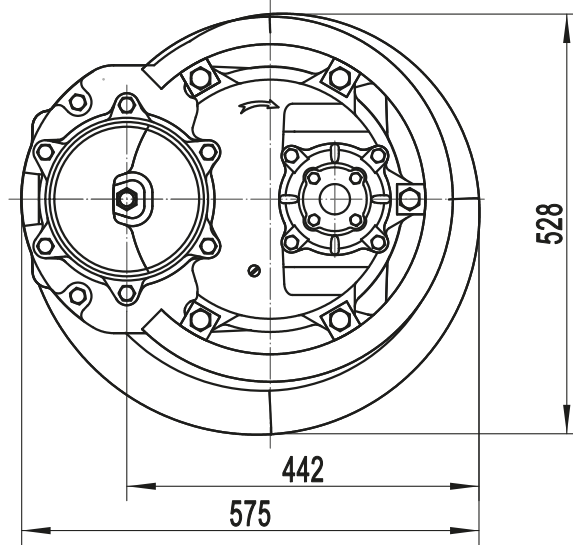
F



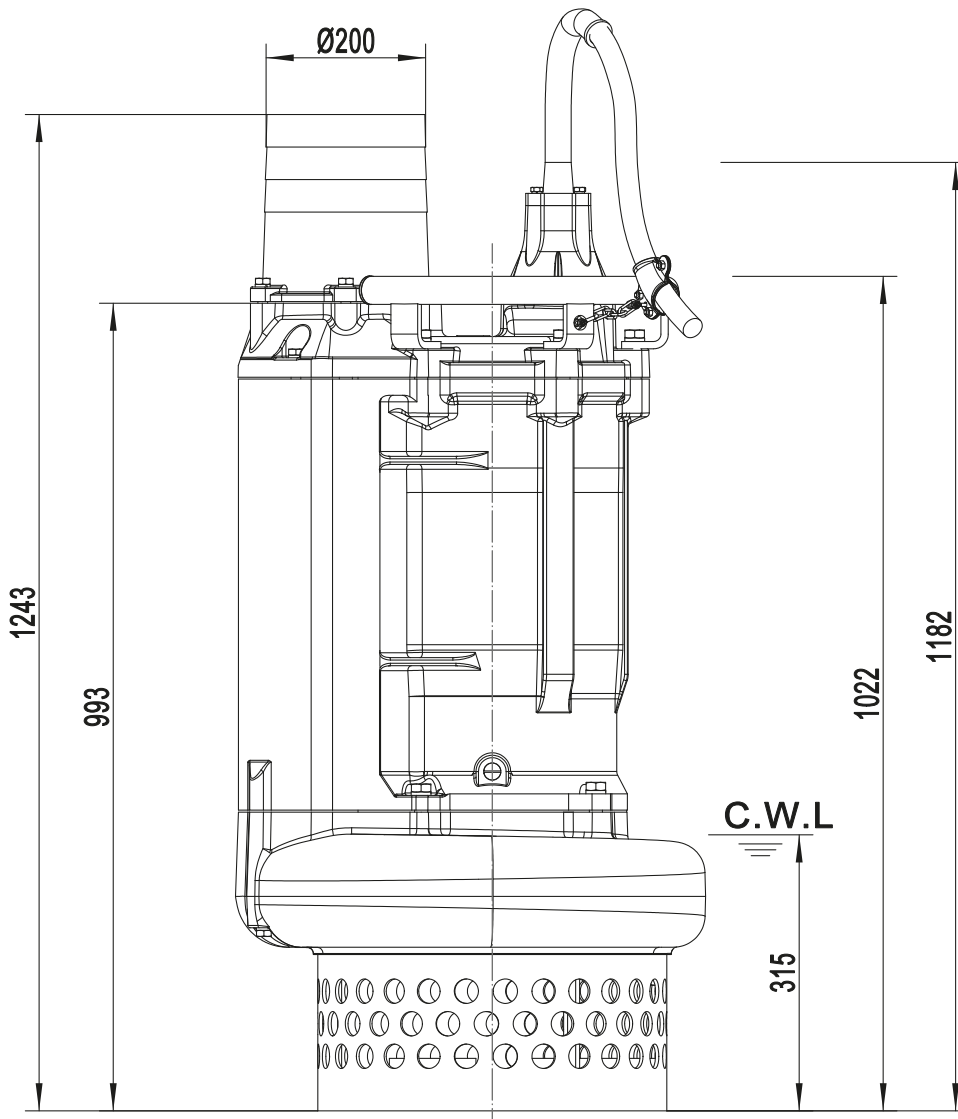
SOLIDPUMP EUROPE SIA

SECTIONAL DRAWING
TYPE: **SUBMERSIBLE DRAINAGE PUMP**

MODEL: 200TBL22



Model	N.W(kg)
200TBL22	402

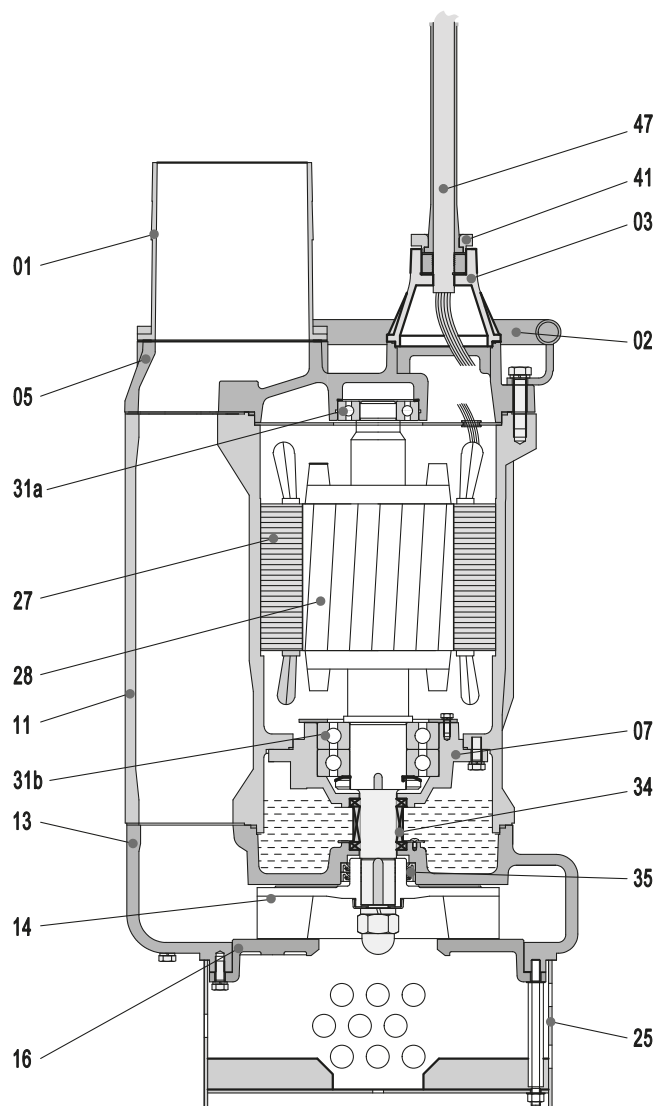


C.W.L:Continuous Running Water Level.

SOLIDPUMP EUROPE SIA

SECTIONAL DRAWING
 TYPE: **SUBMERSIBLE DRAINAGE PUMP**

MODEL: 200TBL22



Item No.	Part name	Material	Item No.	Part name	Material
01	Hose coupling	Cast iron	25	Strainer	Steel
02	Handle	Steel	27	Stator	
03	Terminal box	Cast iron	28	Rotor	Shaft:AISI420SS
05	Upper cover	Cast iron	31a	Bearing	Ball bearing
07	Bearing house	Cast iron	31b	Bearing	Ball bearing
11	Motor body	Cast iron	34	Mechanical seal	Tc-Sic/Sic-Sic
13	Pump body	Cast iron	35	Oil seal	
14	Impeller	Ductile iron	41	Shim	Cast iron
16	Inlet plate	Ductile iron	47	Cable	

Specifications can be changed without notice

Solidpump Europe SIA

Uriekstes iela 14a
 Rīga, LV-1005
 LATVIA

Tel.: + 371 66968996
 E-mail: info@solidpump.com
 www.solidpump.com

Ver. 11.03.2026

SOLIDPUMP EUROPE SIA