

# PUMP PERFORMANCE CURVES

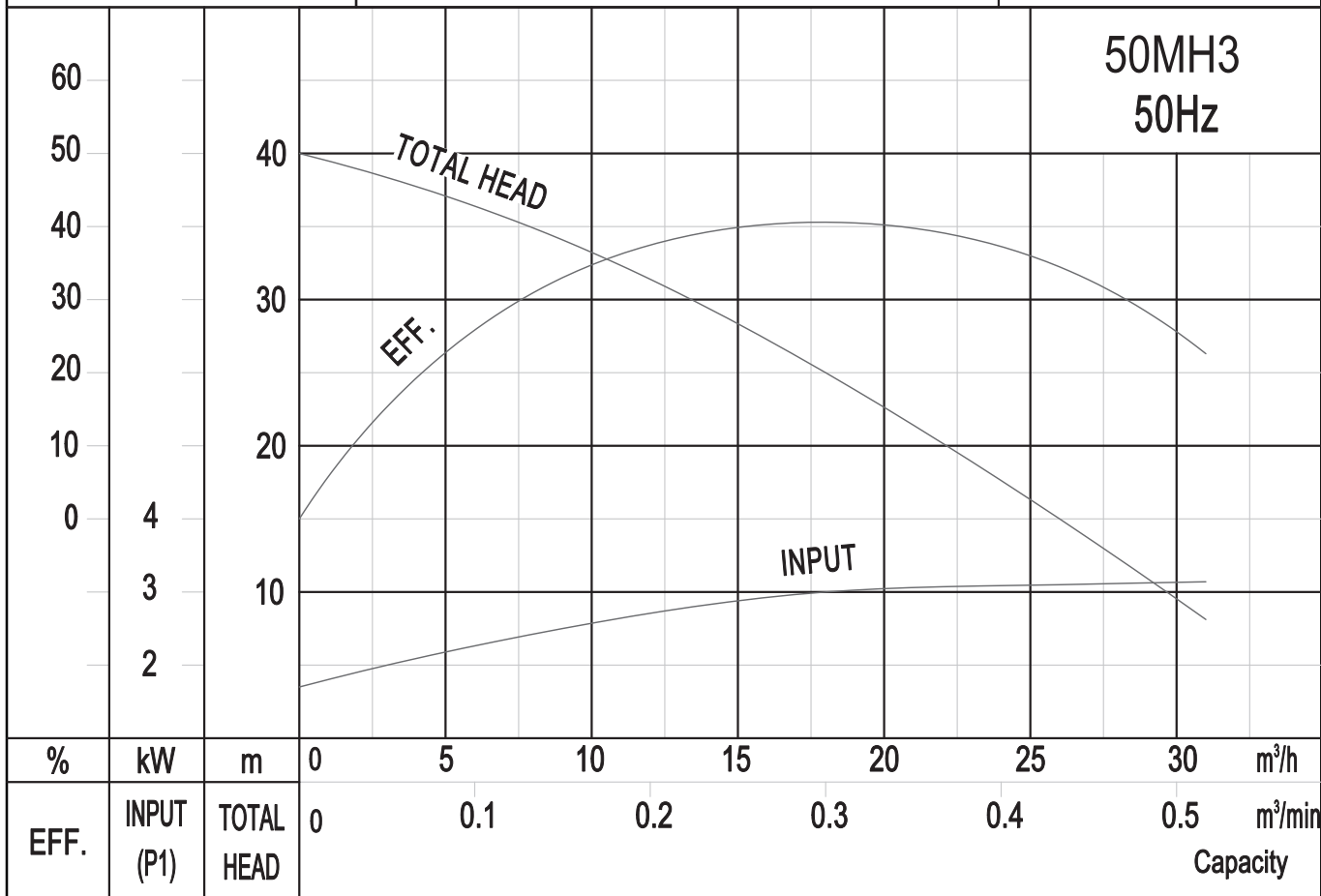
TYPE: SUBMERSIBLE DRAINAGE PUMP

MODEL: 50MH3

FREQUENCY: 50Hz

## STANDARD SPECIFICATIONS

DISCHARGE BORE	50 mm	
HEAD	Max: 39 m	Rated: 26 m
CAPACITY	Max: 0.5 m <sup>3</sup> /min	Rated: 0.3 m <sup>3</sup> /min
MOTOR OUTPUT	3.0 kW	
PHASE x VOLTAGE	3 Øx 380/400V	
CURRENT	6.5 A	
POLES/REVOLUTION	2 P/ S.S.2850 min <sup>-1</sup>	
STARTING METHOD	Direct-on-line start	
INSULATION CLASS	F/H	

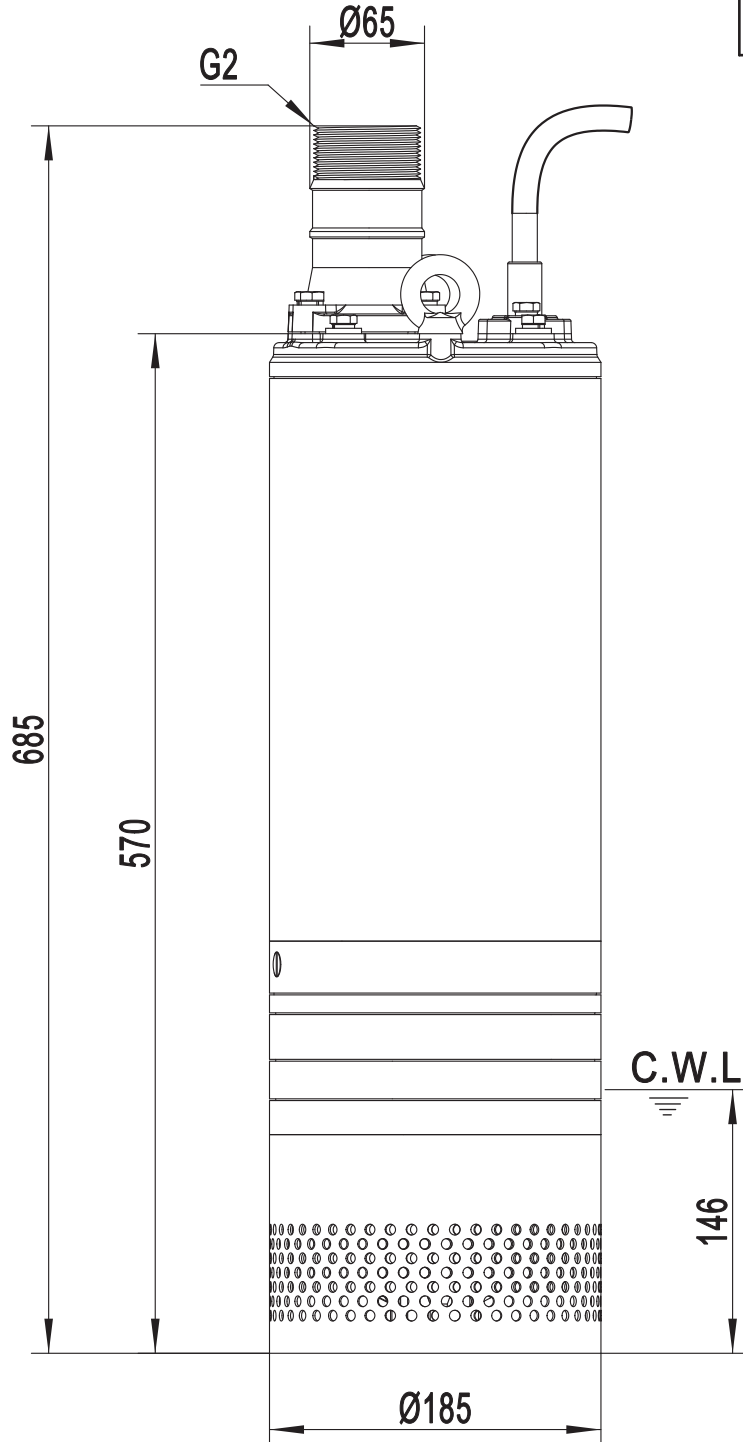


**SOLIDPUMP EUROPE SIA**

DIMENSION DRAWING  
TYPE: **SUBMERSIBLE DRAINAGE PUMP**

MODEL: 50MH3

Model	N.W(kg)
50MH3	52



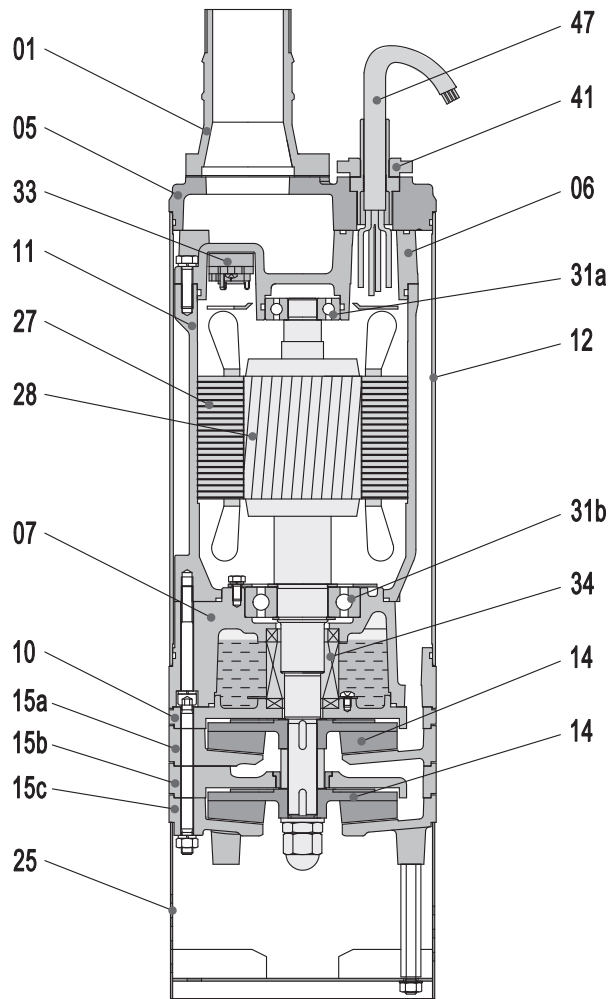
C.W.L:Continuous Running Water Level.

**SOLIDPUMP EUROPE SIA**

# DIMENSION DRAWING

TYPE: **SUBMERSIBLE DRAINAGE PUMP**

MODEL: 50MH3



Item No.	Part name	Material	Item No.	Part name	Material
01	Hose coupling	Cast iron	15c	Diffuser & Casing	Ductile iron
05	Upper cover	Cast iron	25	Strainer	
06	UP-Bearing house	Cast iron	27	Stator	
07	Bearing house	Cast iron	28	Rotor	Shaft:AISI420SS
10	Seal bracket	Cast iron	31a	Bearing	Ball bearing
11	Motor body	Cast iron	31b	Bearing	Ball bearing
12	Outer casing	Steel	33	Motor protector	
14	Impeller	High chrome alloy	34	Mechanical seal	Sic-Sic/Sic-Sic
15a	Diffuser & Casing	Ductile iron	41	Shim	Cast iron
15b	Diffuser & Casing	Ductile iron	47	Cable	

*Specifications can be changed without notice*

**Solidpump Europe SIA**

Uriekstes iela 14a  
Rīga, LV-1005  
LATVIA

Tel.: + 371 66968996  
E-mail: info@solidpump.com  
www.solidpump.com

Ver. 15.11.2023

**SOLIDPUMP EUROPE SIA**