

PUMP PERFORMANCE CURVES

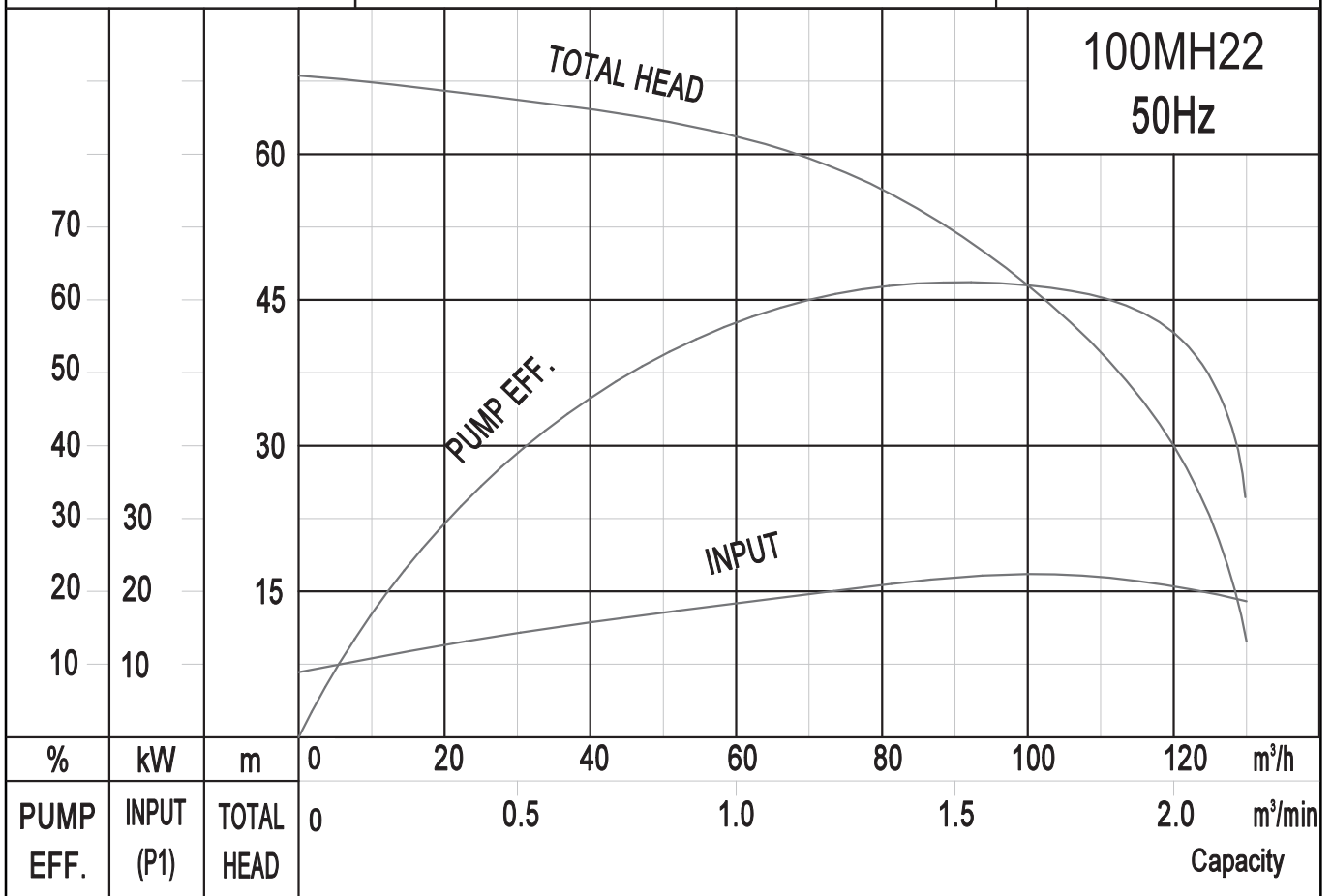
TYPE: SUBMERSIBLE DRAINAGE PUMP

MODEL: 100MH22

FREQUENCY: 50Hz

STANDARD SPECIFICATIONS

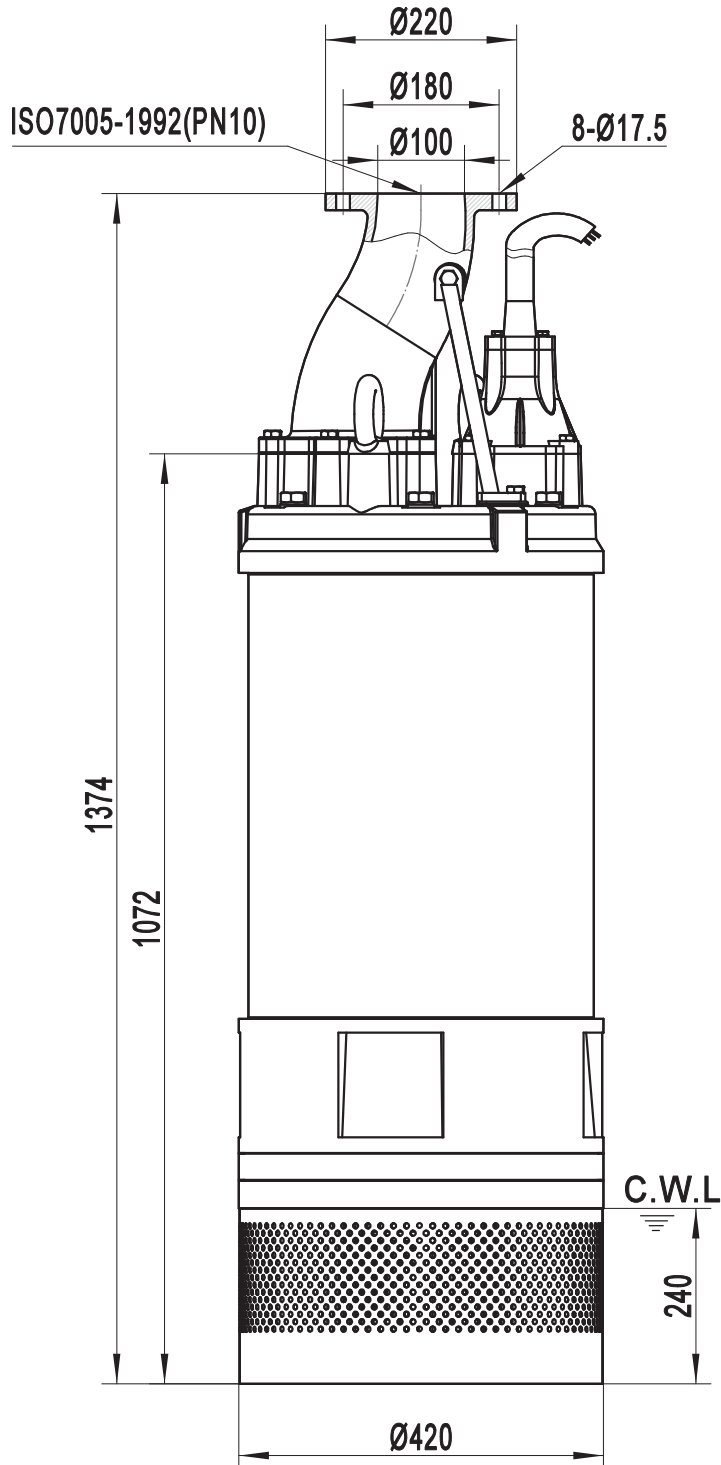
DISCHARGE BORE	100 mm	
HEAD	Max: 68 m	Rated: 60 m
CAPACITY	Max: 2.17 m ³ /min	Rated: 1.1 m ³ /min
MOTOR OUTPUT	22 kW	
PHASE x VOLTAGE	3 Øx 380/400V	
CURRENT	41.5 A	
POLES/REVOLUTION	2 P/ S.S.2850 min ⁻¹	
STARTING METHOD	Star-Delta start	
INSULATION CLASS	F/H	



SOLIDPUMP EUROPE SIA

DIMENSION DRAWING
TYPE: **SUBMERSIBLE DRAINAGE PUMP**

MODEL: 100MH22



Model	N.W(kg)
100MH22	370

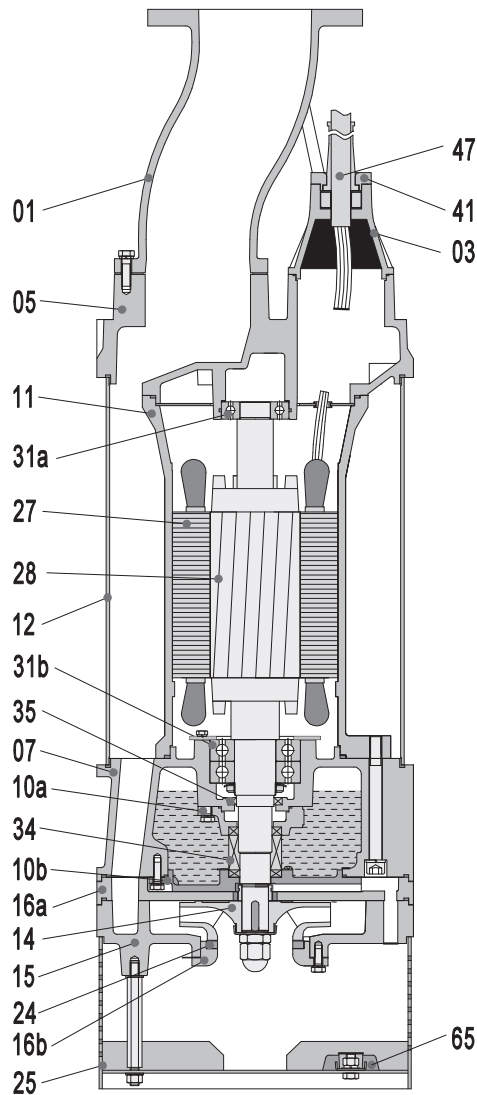
C.W.L.:Continuous Running Water Level.

SOLIDPUMP EUROPE SIA

DIMENSION DRAWING

TYPE: SUBMERSIBLE DRAINAGE PUMP

MODEL: 100MH22



Item No.	Part name	Material	Item No.	Part name	Material
01	Hose coupling	Ductile iron	24	Neck ring	High chrome alloy
03	Terminal box	Cast iron	25	Strainer	AISI304SS
05	Upper cover	Cast iron	27	Stator	
07	Bearing house	Cast iron	28	Rotor	Shaft:AISI420SS
10a	Seal bracket	Cast iron	31a	Bearing	Ball bearing
10b	Seal bracket	Cast iron	31b	Bearing	Ball bearing
11	Motor body	Cast iron	34	Mechanical seal	Tc-Sic/Sic-Sic
12	Outer casing	Steel	35	Oil seal	
14	Impeller	High chrome alloy	41	Cable fixing plate	Cast iron
15	Diffuser	Ductile iron	47	Cable	
16a	Inlet plate	Ductile iron	65	Cathodic protection plate	AL
16b	Inlet plate	Cast iron			

Specifications can be changed without notice

Solidpump Europe SIA

Uriekstes iela 14a
Rīga, LV-1005
LATVIA

Tel.: + 371 66968996
E-mail: info@solidpump.com
www.solidpump.com

Ver. 21.11.2022

SOLIDPUMP EUROPE SIA