

PUMP PERFORMANCE CURVES

TYPE: SUBMERSIBLE DRAINAGE PUMP

MODEL: 150TSS11

FREQUENCY: 50Hz

STANDARD SPECIFICATIONS

DISCHARGE BORE

150 mm

HEAD

Max: 34 m

Rated: 25 m

CAPACITY

Max: 2.5 m³/min

Rated: 1.5 m³/min

MOTOR OUTPUT

11 kW

PHASE x VOLTAGE

3 Øx 400 V

CURRENT

22 A

POLES/REVOLUTION

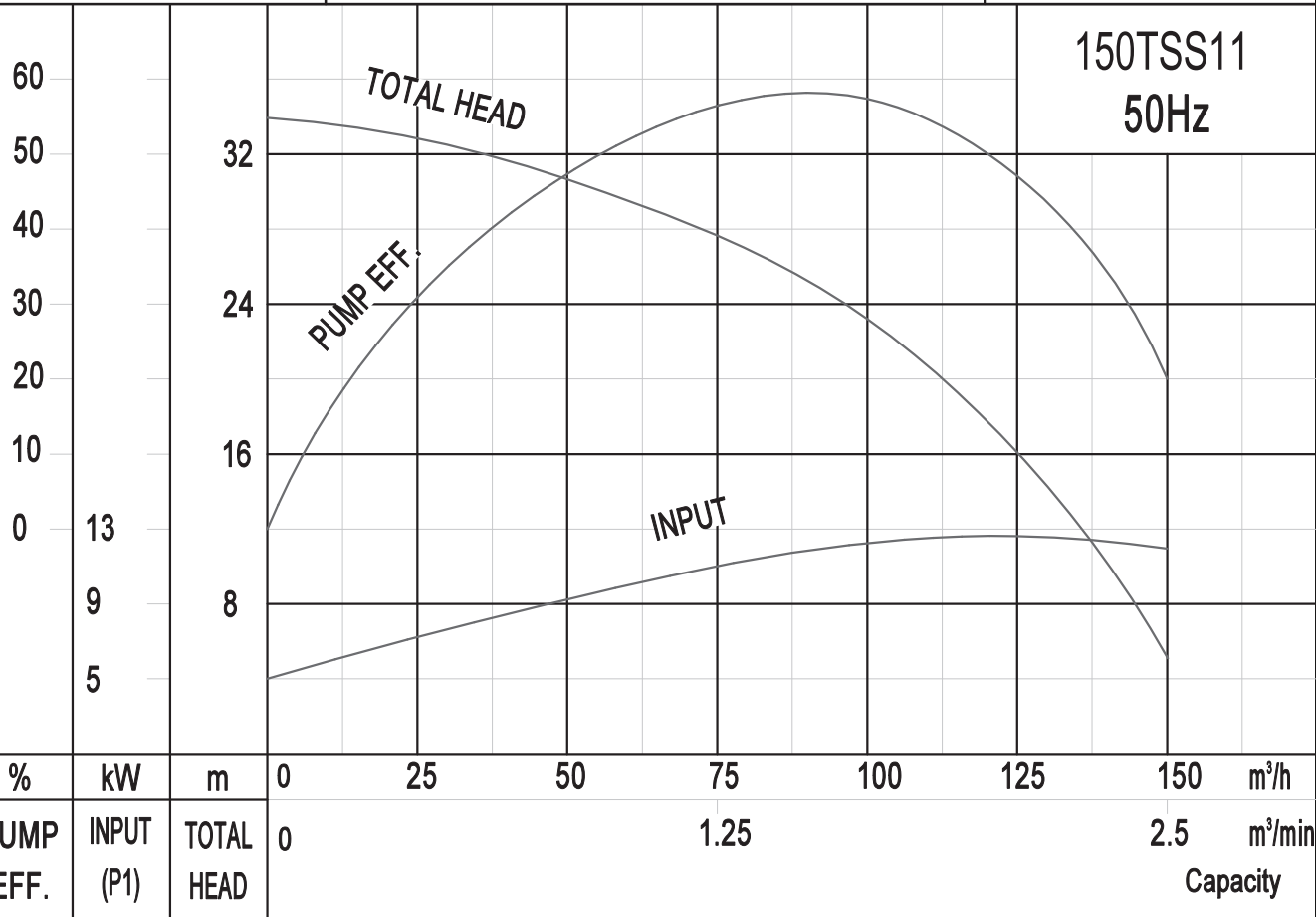
2 P/ S.S.2850 min⁻¹

STARTING METHOD

Direct-on-line start

INSULATION CLASS

F



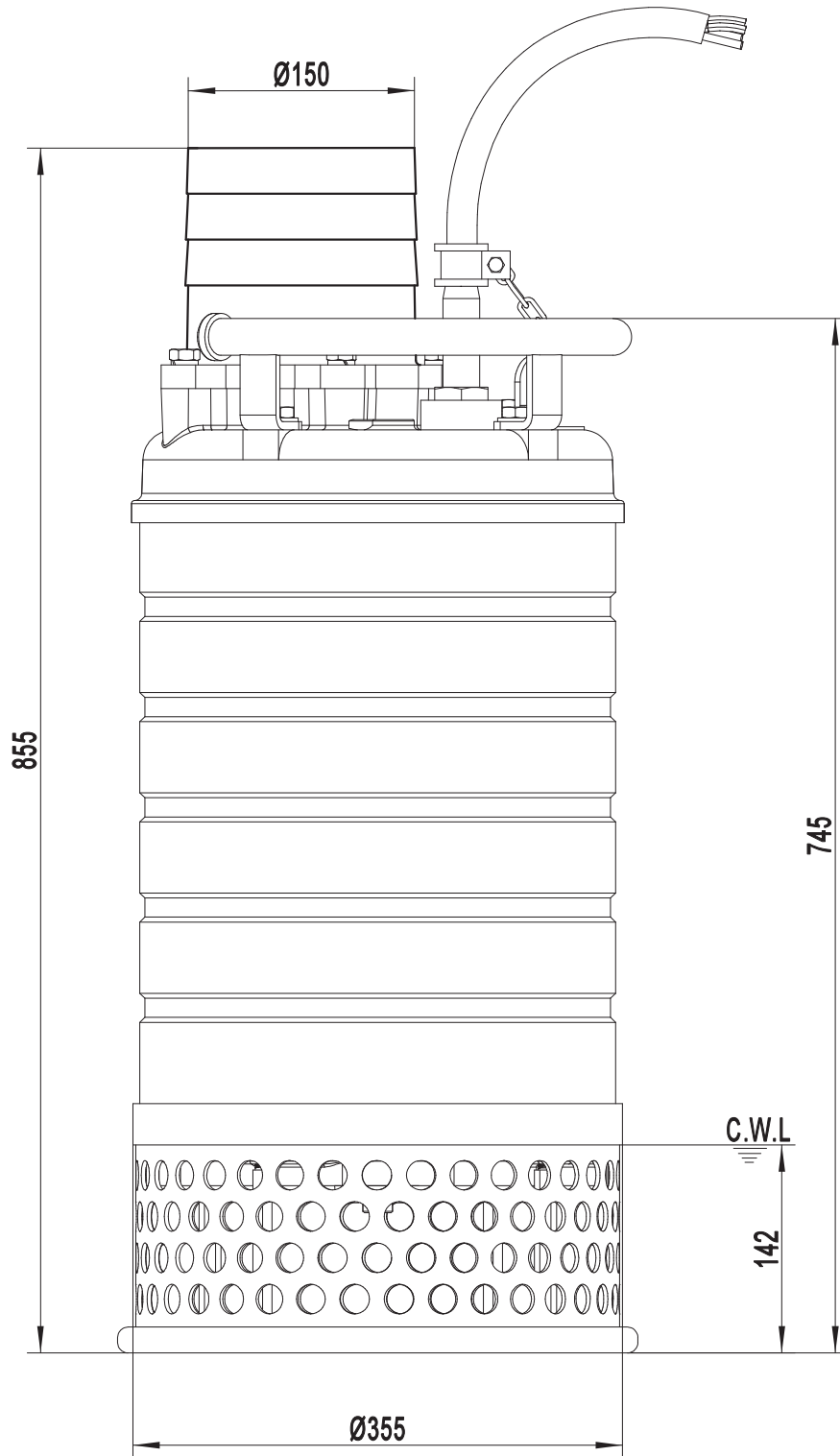
SOLIDPUMP EUROPE SIA

DIMENSION DRAWING

TYPE: **SUBMERSIBLE DRAINAGE PUMP**

MODEL: 150TSS11

Model	N.W(kg)
150TSS11	125



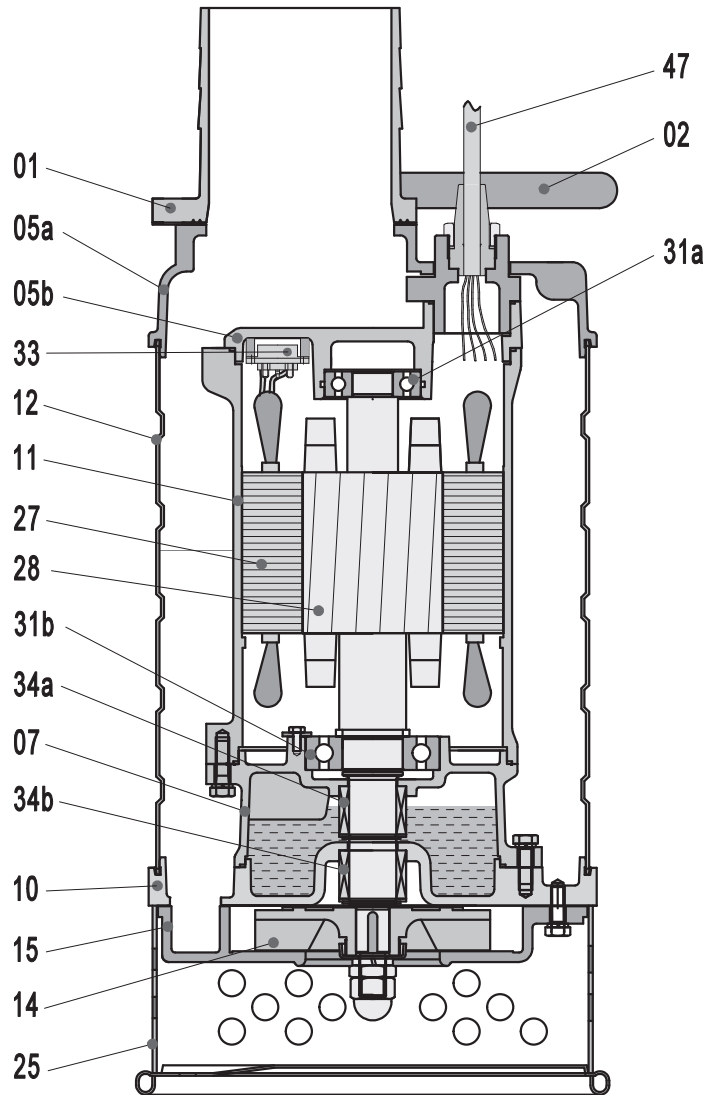
C.W.L.:Continuous Running Water Level.

SOLIDPUMP EUROPE SIA

DIMENSION DRAWING

TYPE: **SUBMERSIBLE DRAINAGE PUMP**

MODEL: 150TSS11



Item No.	Part name	Material	Item No.	Part name	Material
01	Hose coupling	AISI304SS	25	Strainer	AISI304SS
02	Handle	AISI304SS	27	Stator	
05a	Upper cover	AISI304SS	28	Rotor	Shaft:AISI420SS
05b	Upper cover	AISI304SS	31a	Bearing	Ball bearing
07	Bearing house	AISI304SS	31b	Bearing	Ball bearing
10	Seal bracket	AISI304SS	33	Motor protector	
11	Motor casing	Stainless steel	34a	Mechanical seal	
12	Outer casing	AISI304SS	34b	Mechanical seal	
14	Impeller	AISI304SS	47	Cable	H07RN-F
15	Diffuser	AISI304SS			

Specifications can be changed without notice

Solidpump Europe SIA

Uriekstes iela 14a
Rīga, LV-1005
LATVIA

Tel.: + 371 66968996
E-mail: info@solidpump.com
www.solidpump.com

Ver. 21.11.2022

SOLIDPUMP EUROPE SIA