

# PUMP PERFORMANCE CURVES

TYPE: SUBMERSIBLE DRAINAGE PUMP

MODEL: 80TSM1.5

FREQUENCY: 50Hz

## STANDARD SPECIFICATIONS

DISCHARGE BORE

80 mm

HEAD

Max: 14 m

Rated: 9 m

CAPACITY

Max: 0.7 m<sup>3</sup>/min

Rated: 0.45 m<sup>3</sup>/min

MOTOR OUTPUT

1.5 kW

PHASE x VOLTAGE

1 Øx 220 V

CURRENT

10 A

POLES/REVOLUTION

2 P/ S.S.2850 min<sup>-1</sup>

STARTING METHOD

Direct-on-line start

INSULATION CLASS

F

60  
50  
40  
30  
20  
10  
0  
1.8  
1.5  
1.2

12  
9  
6  
3

80TSM1.5  
50Hz

TOTAL HEAD  
PUMP EFF.

INPUT

%  
PUMP  
EFF.

kW  
INPUT  
(P1)

m  
TOTAL  
HEAD

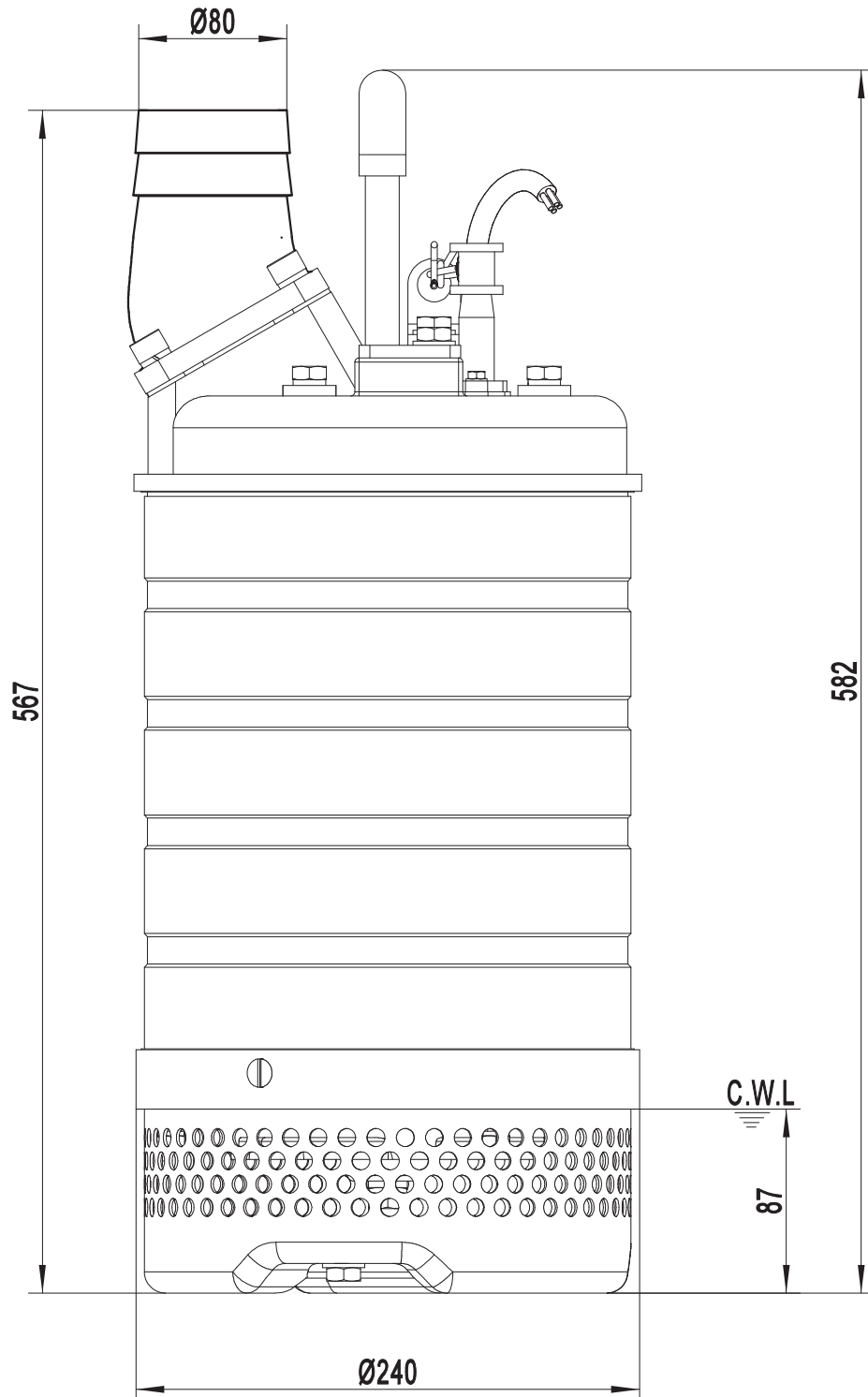
0 10 20 30 40 m<sup>3</sup>/h  
0 0.25 0.5 m<sup>3</sup>/min  
Capacity

**SOLIDPUMP EUROPE SIA**

DIMENSION DRAWING  
TYPE: **SUBMERSIBLE DRAINAGE PUMP**

MODEL: 80TSM1.5

Model	N.W(kg)
80TSM1.5	37



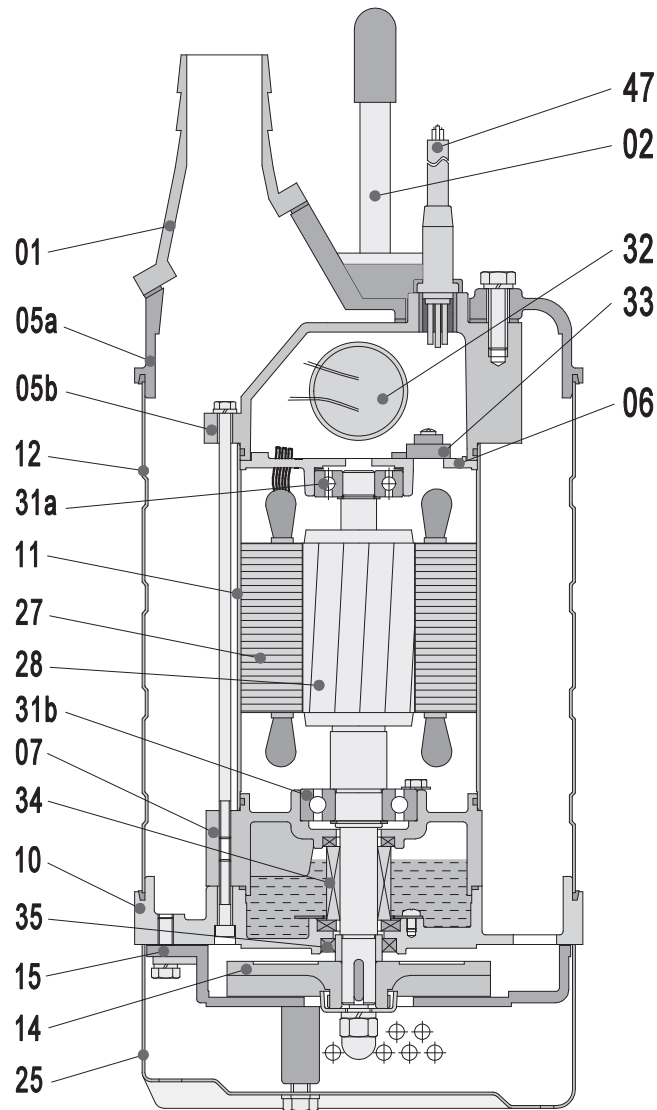
C.W.L.:Continuous Running Water Level.

**SOLIDPUMP EUROPE SIA**

# DIMENSION DRAWING

TYPE: **SUBMERSIBLE DRAINAGE PUMP**

MODEL: 80TSM1.5



※Optional:AISI304SS

Item No.	Part name	Material	Item No.	Part name	Material
01※	Hose coupling	Cast iron	25※	Strainer	Steel
02※	Handle	Rubber&steel	27	Stator	
05a※	Upper cover	Cast iron	28	Rotor	Shaft:AISI420SS
05b※	Upper cover	Cast iron	31a	Bearing	Ball bearing
06	Up-Bearing house	Cast iron	31b	Bearing	Ball bearing
07※	Bearing house	Cast iron	32	Capacitor	(Single phase only)
10※	Seal bracket	Cast iron	33	Motor protector	
11	Motor casing	Stainless steel	34	Mechanical seal	Sic-Sic/Carbon-Sic
12	Outer casing	AISI304SS	35	Oil seal	
14※	Impeller	High chrome alloy	47	Cable	H07RNF
15※	Diffuser	Ductile iron			

*Specifications can be changed without notice*

**Solidpump Europe SIA**  
 Uriekstes iela 14a  
 Rīga, LV-1005  
 LATVIA  
 Tel.: + 371 66968996  
 E-mail: info@solidpump.com  
 www.solidpump.com

Ver. 21.11.2022

**SOLIDPUMP EUROPE SIA**