

PUMP PERFORMANCE CURVES

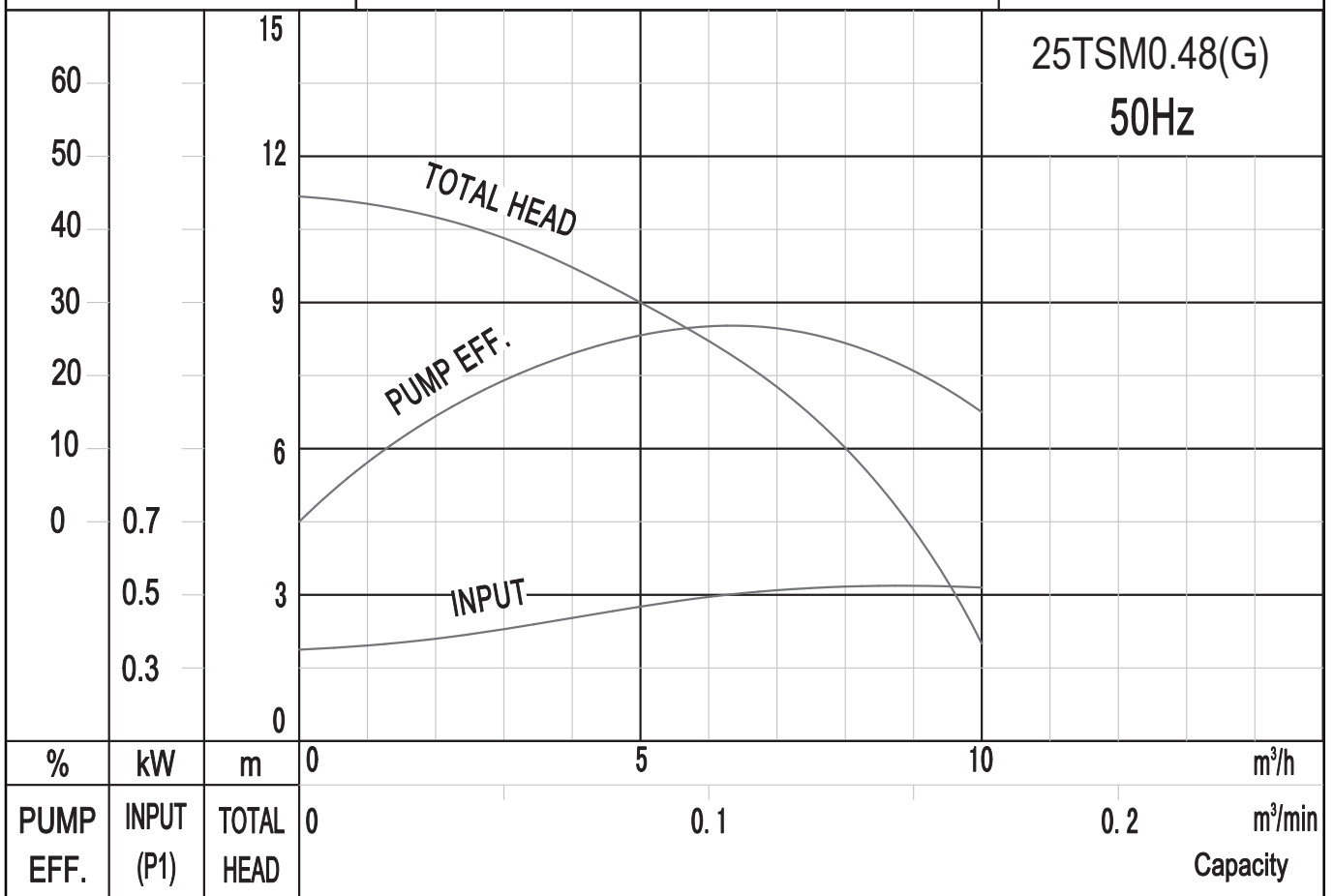
TYPE: SUBMERSIBLE DRAINAGE PUMP

MODEL: 25TSM0.48(G)

FREQUENCY: 50Hz

STANDARD SPECIFICATIONS

DISCHARGE BORE	25 mm
MAX HEAD	11 m
MOTOR OUTPUT	0.48 kW
PHASE x VOLTAGE	1 Øx 230 V
CURRENT	3.0 A
POLES/REVOLUTION	2 P/ S.S.2850 min ⁻¹
STARTING METHOD	Direct-on-line start
INSULATION CLASS	F



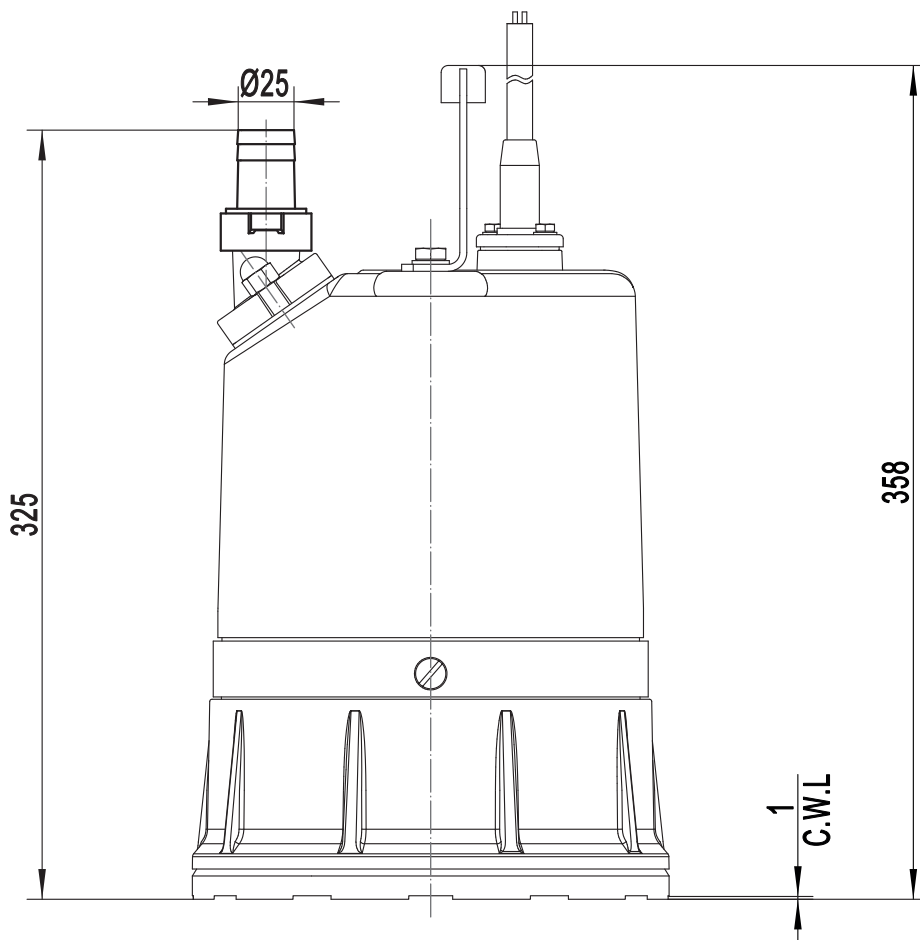
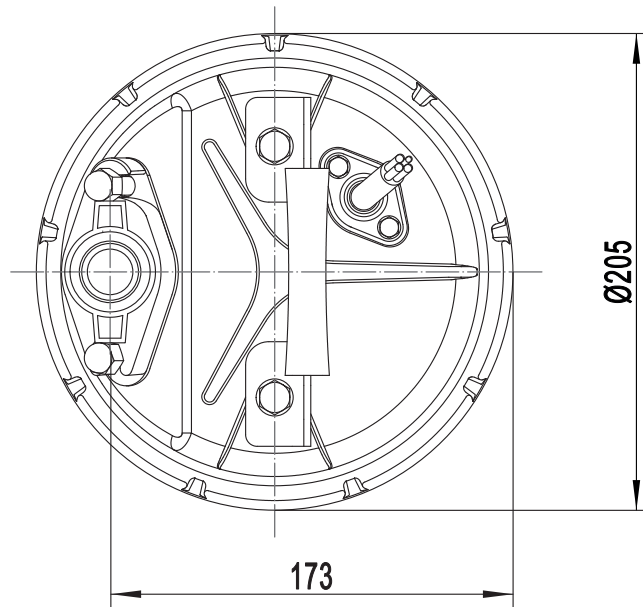
SOLIDPUMP EUROPE SIA

DIMENSION DRAWING

TYPE: **SUBMERSIBLE DRAINAGE PUMP**

MODEL: 25TSM0.48(G)

Model	N.W(kg)
25TSM0.48(G)	12.6



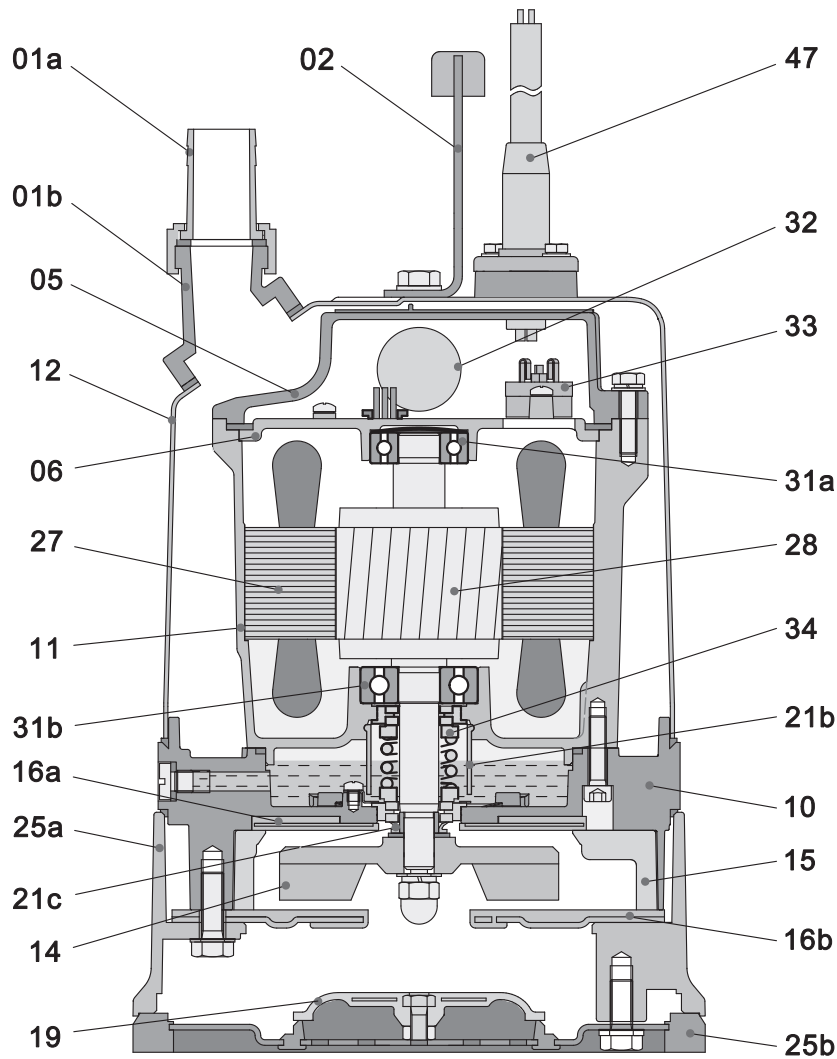
C.W.L:Continuous Running Water Level.

SOLIDPUMP EUROPE SIA

DIMENSION DRAWING

TYPE: SUBMERSIBLE DRAINAGE PUMP

MODEL: 25TSM0.48(G)



Item No.	Part name	Material	Item No.	Part name	Material
01a	Hose coupling	Aluminum die casting	21a	Oil riser	NBR
01b	Hose coupling	Aluminum die casting	21b	Sand guard	LDPE
02	Handle	Rubber & steel	25a	Strainer	Aluminum die casting
05	Upper cover	Aluminum die casting	25b	Strainer	NBR & Steel
06	Up-Bearing house	Cast iron	27	Stator	
10	Seal house	Aluminum die casting	28	Rotor	Shaft:AISI420SS
11	Motor body	Aluminum die casting	31a	Bearing	Ball bearing
12	Outer casing	Steel	31b	Bearing	Ball bearing
14	Impeller	Ductile iron	32	Capacitor	
15	Diffuser	NBR	33	Motor protector	
16a	Plate	NBR & Steel	34	Mechanical seal	Ceramic-Sic/Carbon-Ceramic
16b	Intel plate	NBR & Steel	47	Cable	H07RN-F
19	Check valve	NBR & Steel			

Specifications can be changed without notice

Solidpump Europe SIA

Uriekstes iela 14a
Rīga, LV-1005
LATVIA

Tel.: + 371 66968996
E-mail: info@solidpump.com
www.solidpump.com

Ver. 21.11.2022

SOLIDPUMP EUROPE SIA