

PUMP PERFORMANCE CURVES

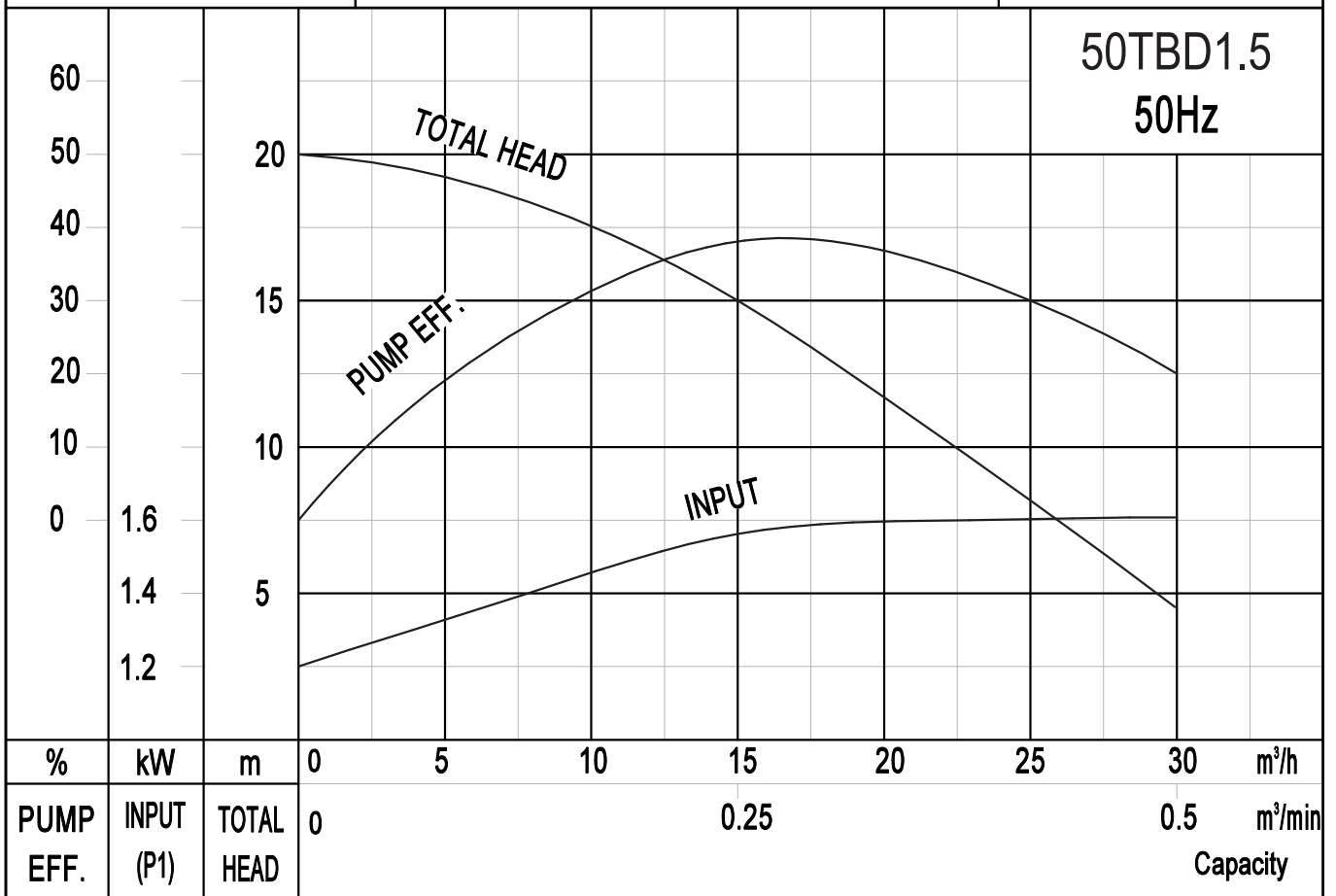
TYPE: SUBMERSIBLE SLURRY PUMP

MODEL: 50TBD1.5

FREQUENCY: 50Hz

STANDARD SPECIFICATIONS

| | | |
|------------------|---------------------------------|---------------------------------|
| DISCHARGE BORE | 50 mm | |
| HEAD | Max: 20 m | Rated: 15 m |
| CAPACITY | Max: 0.50 m ³ /min | Rated: 0.25 m ³ /min |
| MOTOR OUTPUT | 1.5 kW | |
| PHASE x VOLTAGE | 3 Øx 400 V | |
| CURRENT | 3.5 A | |
| POLES/REVOLUTION | 2 P/ S.S.2850 min ⁻¹ | |
| STARTING METHOD | Direct-on-line start | |
| INSULATION CLASS | F | |

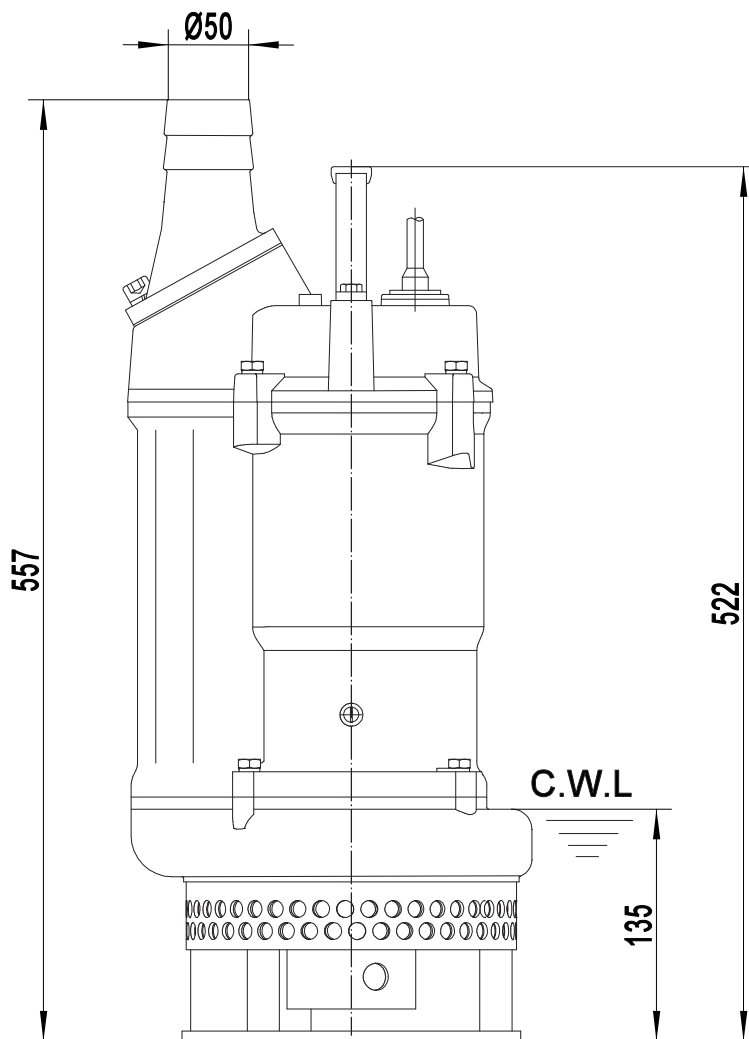
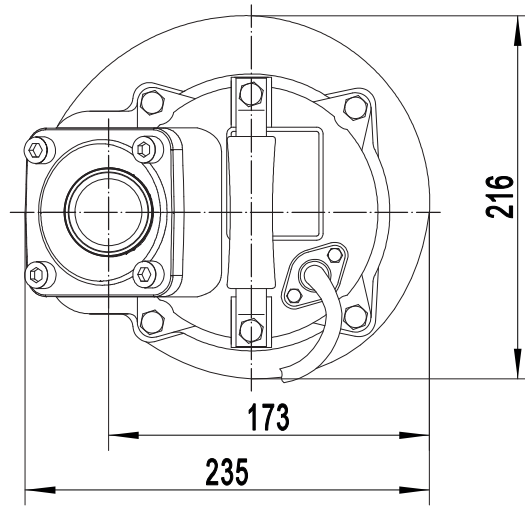


SOLIDPUMP EUROPE SIA

DIMENSION DRAWING
TYPE: **SUBMERSIBLE SLURRY PUMP**

MODEL: 50TBD1.5

| Model | N.W(kg) |
|----------|---------|
| 50TBD1.5 | 37 |

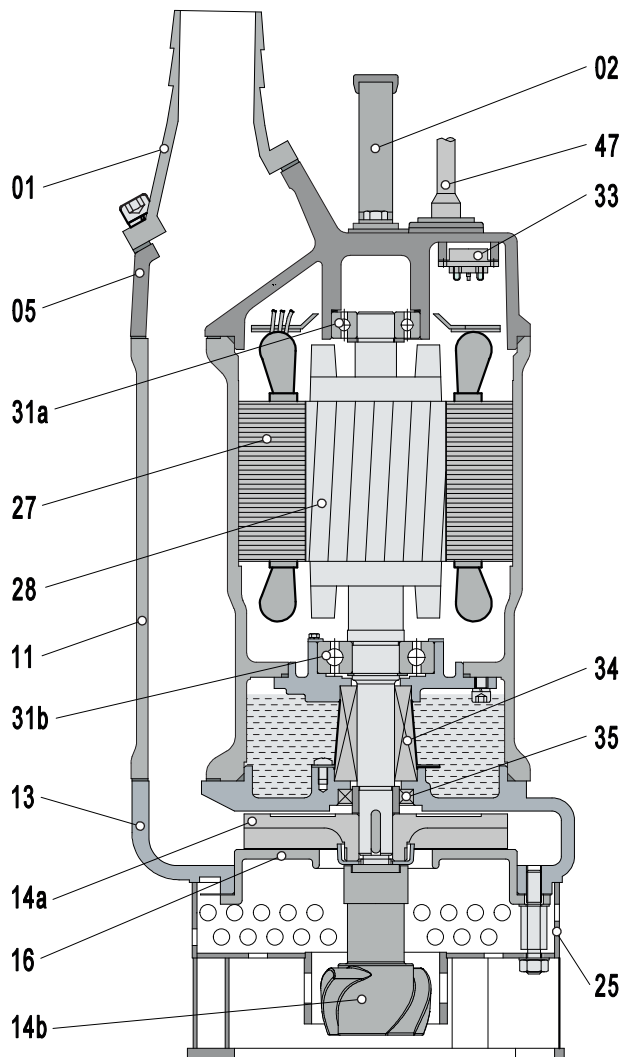


C.W.L:Continuous Running Water Level.

SOLIDPUMP EUROPE SIA

DIMENSION DRAWING
TYPE: SUBMERSIBLE SLURRY PUMP

MODEL: 50TBD1.5



| Item No. | Part name | Material | Item No. | Part name | Material |
|----------|---------------|-------------------|----------|-----------------|--------------------|
| 01 | Hose coupling | Cast iron | 27 | Stator | |
| 02 | Handle | Rubber&steel | 28 | Rotor | Shaft:AISI420SS |
| 05 | Upper cover | Cast iron | 31a | Bearing | Ball bearing |
| 11 | Motor body | Cast iron | 31b | Bearing | Ball bearing |
| 13 | Pump body | Cast iron | 33 | Motor protector | |
| 14a | Impeller | High chrome alloy | 34 | Mechanical seal | Sic-Sic/Carbon-Sic |
| 14b | Agitator | High chrome alloy | 35 | Oil seal | |
| 16 | Inlet plate | Ductile iron | 47 | Cable | |
| 25 | Strainer | Steel | | | |

Specifications can be changed without notice

Solidpump Europe SIA

Uriekstes iela 14a
 Rīga, LV-1005
 LATVIA

Tel.: + 371 66968996
 E-mail: info@solidpump.com
 www.solidpump.com

SOLIDPUMP EUROPE SIA