

# PUMP PERFORMANCE CURVES

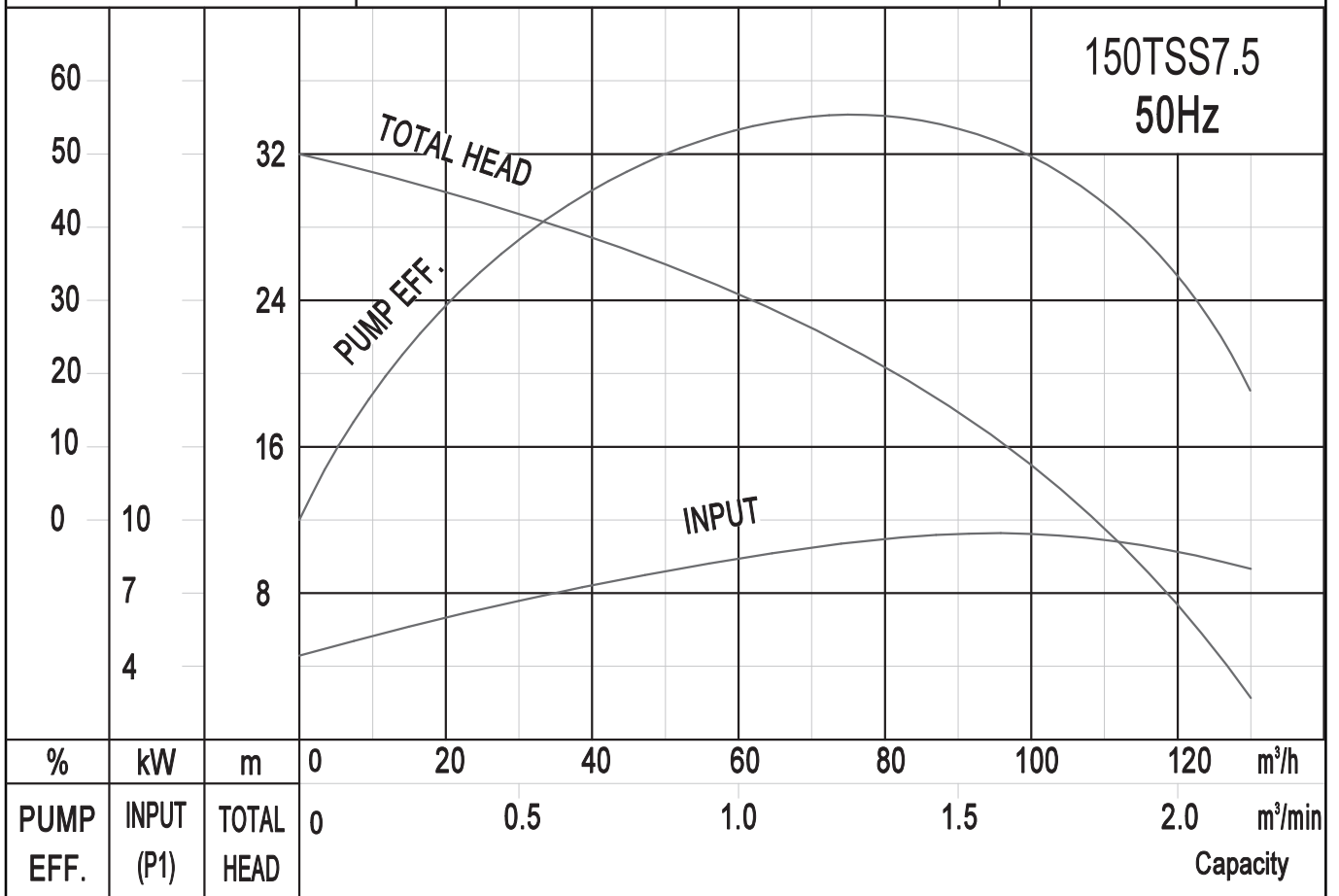
TYPE: SUBMERSIBLE DRAINAGE PUMP

MODEL: 150TSS7.5

FREQUENCY: 50Hz

## STANDARD SPECIFICATIONS

DISCHARGE BORE	150 mm	
HEAD	Max: 32 m	Rated: 20.5 m
CAPACITY	Max: 2.17 m <sup>3</sup> /min	Rated: 1.33 m <sup>3</sup> /min
MOTOR OUTPUT	7.5 kW	
PHASE x VOLTAGE	3 Øx 400 V	
CURRENT	15 A	
POLES/REVOLUTION	2 P/ S.S.2850 min <sup>-1</sup>	
STARTING METHOD	Direct-on-line start	
INSULATION CLASS	F	



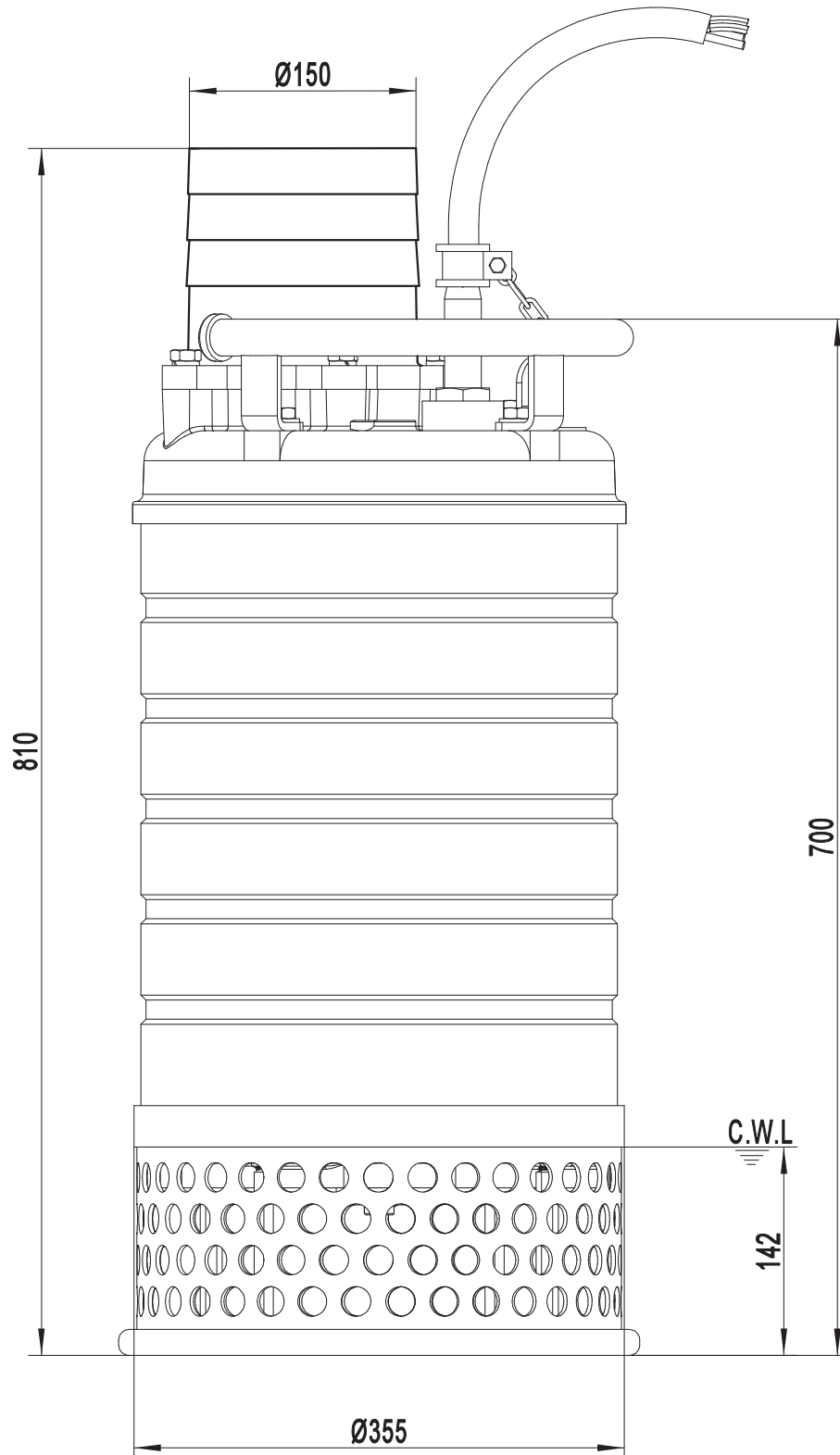
**SOLIDPUMP EUROPE SIA**

DIMENSION DRAWING

TYPE: **SUBMERSIBLE DRAINAGE PUMP**

MODEL: 150TSS7.5

Model	N.W(kg)
150TSS7.5	110



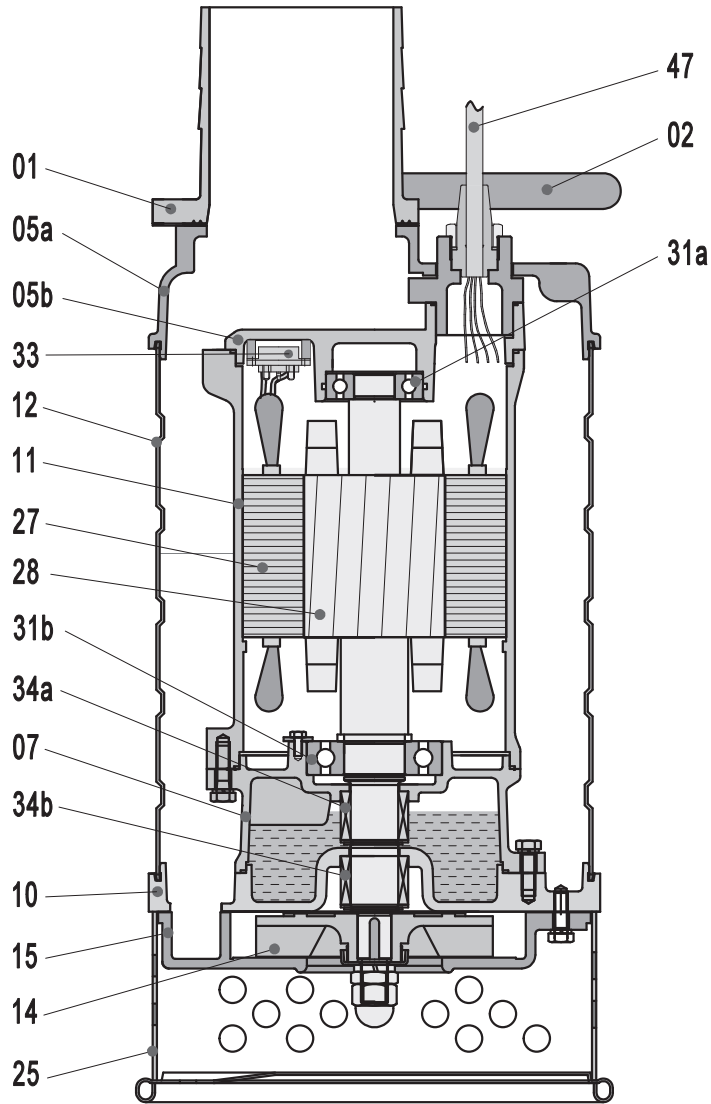
C.W.L: Continuous Running Water Level.

**SOLIDPUMP EUROPE SIA**

DIMENSION DRAWING

TYPE: SUBMERSIBLE DRAINAGE PUMP

MODEL: 150TSS7.5



Item No.	Part name	Material	Item No.	Part name	Material
01	Hose coupling	AISI304SS	25	Strainer	AISI304SS
02	Handle	AISI304SS	27	Stator	
05a	Upper cover	AISI304SS	28	Rotor	Shaft:AISI420SS
05b	Upper cover	AISI304SS	31a	Bearing	Ball bearing
07	Bearing house	AISI304SS	31b	Bearing	Ball bearing
10	Seal bracket	AISI304SS	33	Motor protector	
11	Motor casing	Stainless steel	34a	Mechanical seal	
12	Outer casing	AISI304SS	34b	Mechanical seal	
14	Impeller	AISI304SS	47	Cable	H07RN-F
15	Diffuser	AISI304SS			

*Specifications can be changed without notice*

**Solidpump Europe SIA**  
 Uriekstes iela 14a  
 Rīga, LV-1005  
 LATVIA  
 Tel.: + 371 66968996  
 E-mail: info@solidpump.com  
 www.solidpump.com

Ver. 21.11.2022

**SOLIDPUMP EUROPE SIA**