

# PUMP PERFORMANCE CURVES

TYPE: SUBMERSIBLE DRAINAGE PUMP

MODEL: 100TBZ15

FREQUENCY: 50Hz

## STANDARD SPECIFICATIONS

DISCHARGE BORE

100 mm

HEAD

Max: 56 m

Rated: 42 m

CAPACITY

Max: 1.40 m<sup>3</sup>/min

Rated: 1.0 m<sup>3</sup>/min

MOTOR OUTPUT

15 kW

PHASE x VOLTAGE

3 Øx 400 V

CURRENT

29.5 A

POLES/REVOLUTION

2 P/ S.S.2850 min<sup>-1</sup>

STARTING METHOD

Direct-on-line start

INSULATION CLASS

F

60  
50  
40  
30  
20  
10  
0

16  
13  
10

60  
45  
30  
15

TOTAL HEAD

PUMP EFF.

INPUT

100TBZ15  
50Hz

%

kW

m

0

15

30

45

60

75

90

m<sup>3</sup>/h

PUMP  
EFF.

INPUT  
(P1)

TOTAL  
HEAD

0

0.5

1.0

1.5

m<sup>3</sup>/min

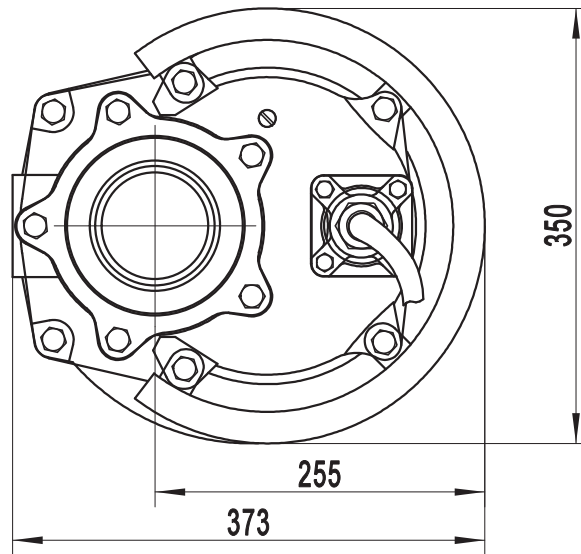
Capacity

SOLIDPUMP EUROPE SIA

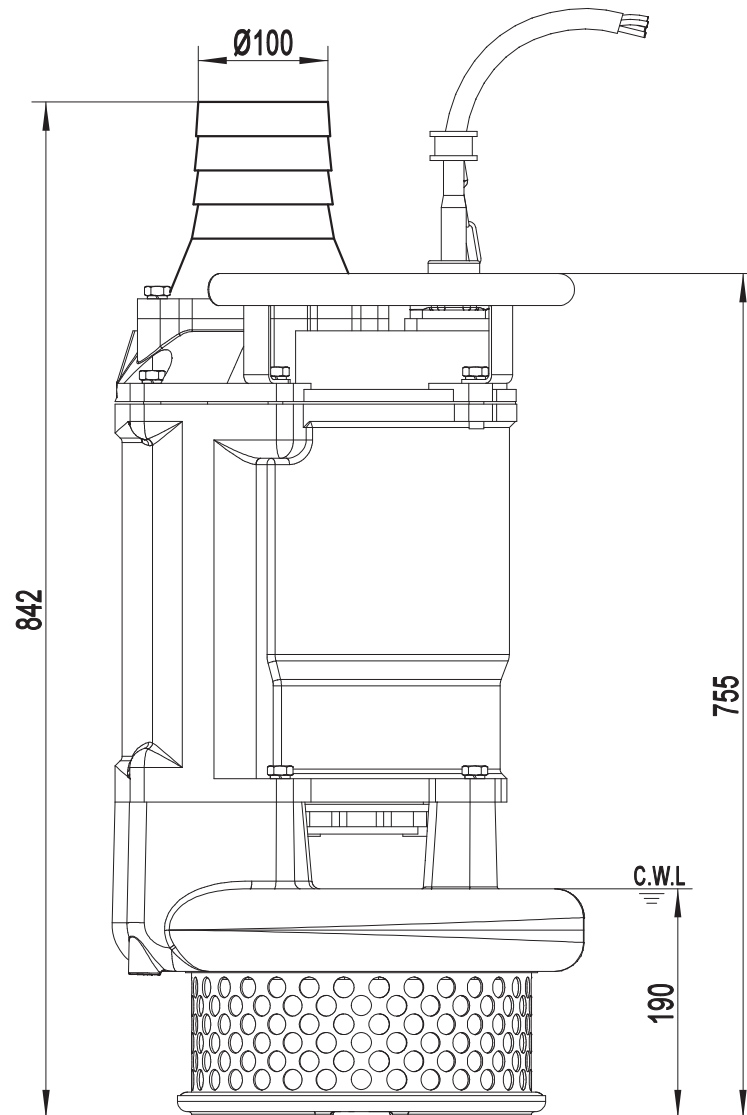
DIMENSION DRAWING

TYPE: **SUBMERSIBLE DRAINAGE PUMP**

MODEL: 100TBZ15



Model	N.W(kg)
100TBZ15	144



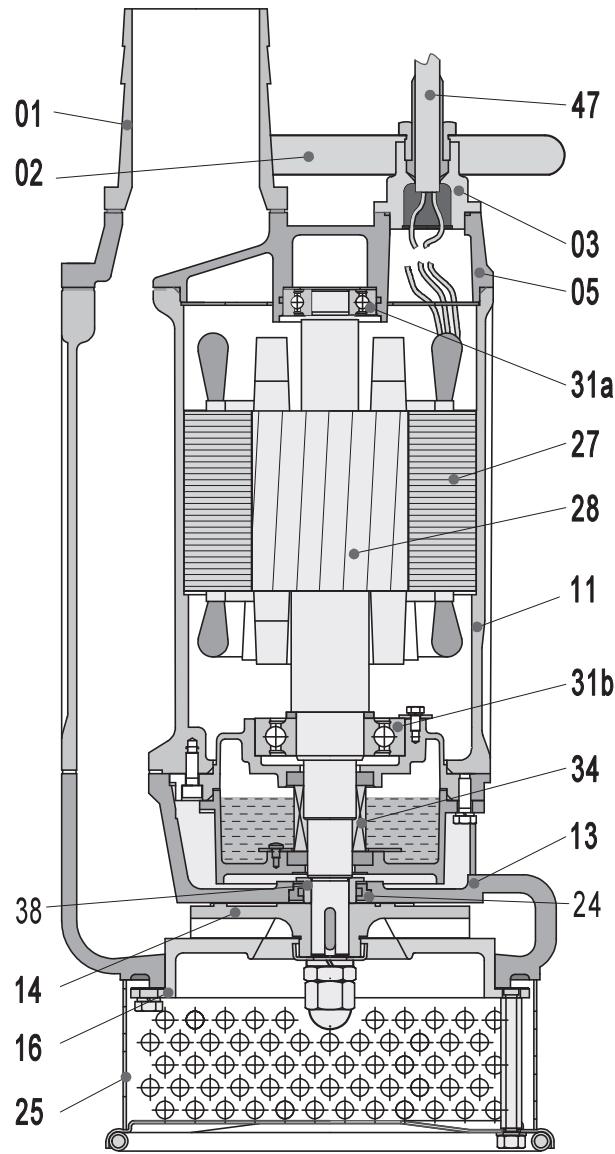
C.W.L.:Continuous Running Water Level.

**SOLIDPUMP EUROPE SIA**

DIMENSION DRAWING

TYPE: **SUBMERSIBLE DRAINAGE PUMP**

MODEL: 100TBZ15



Item No.	Part name	Material	Item No.	Part name	Material
01	Hose coupling	Cast iron	25	Strainer	Steel
02	Handle	Steel	27	Stator	Shaft:AISI420SS
03	Terminal box	Cast iron	28	Rotor	Ball bearing
05	Upper cover	Cast iron	31a	Bearing	Ball bearing
11	Motor body	Cast iron	31b	Bearing	
13	Pump body	Cast iron	34	Mechanical seal	Sic-Sic/Sic-Sic
14	Impeller	High chrome alloy	38	Shaft sleeve	AISI420SS
16	Inlet plate	Ductile iron	47	Cable	
24	Neck ring	AISI304SS			

*Specifications can be changed without notice*

**Solidpump Europe SIA**

Uriekstes iela 14a  
Rīga, LV-1005  
LATVIA

Tel.: + 371 66968996  
E-mail: info@solidpump.com  
www.solidpump.com

Ver. 21.11.2022

**SOLIDPUMP EUROPE SIA**