

# PUMP PERFORMANCE CURVES

TYPE: SUBMERSIBLE DRAINAGE PUMP

MODEL: 80TBZ5.5

FREQUENCY: 50Hz

## STANDARD SPECIFICATIONS

DISCHARGE BORE

80 mm

HEAD

Max: 34 m

Rated: 25 m

CAPACITY

Max: 1.25 m<sup>3</sup>/min

Rated: 0.60 m<sup>3</sup>/min

MOTOR OUTPUT

5.5 kW

PHASE x VOLTAGE

3 Øx 400 V

CURRENT

11.4 A

POLES/REVOLUTION

2 P/ S.S.2850 min<sup>-1</sup>

STARTING METHOD

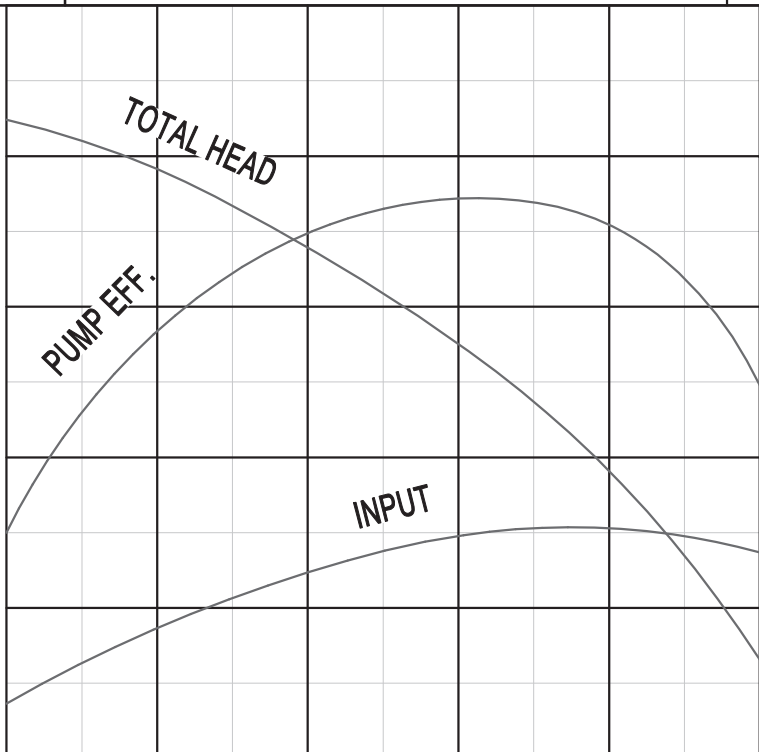
Direct-on-line start

INSULATION CLASS

F

60  
50  
40  
30  
20  
10  
0  
6.0  
5.0  
4.0

32  
24  
16  
8



80TBZ5.5  
50Hz

%

kW

m

0

15

30

45

60

75

90

m<sup>3</sup>/h

PUMP  
EFF.

INPUT  
(P1)

TOTAL  
HEAD

0

0.5

1.0

1.5

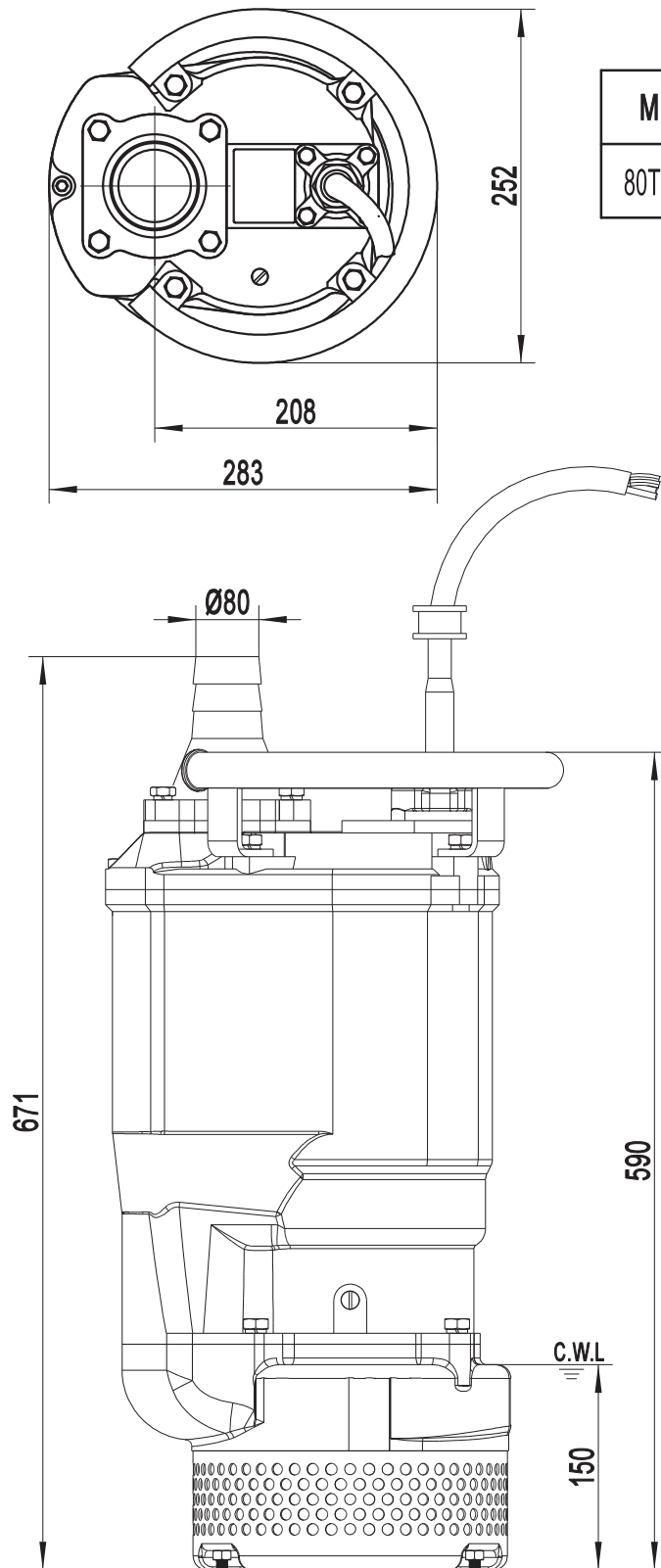
m<sup>3</sup>/min

Capacity

**SOLIDPUMP EUROPE SIA**

DIMENSION DRAWING  
TYPE: **SUBMERSIBLE DRAINAGE PUMP**

MODEL: 80TBZ5.5



Model	N.W(kg)
80TBZ5.5	77

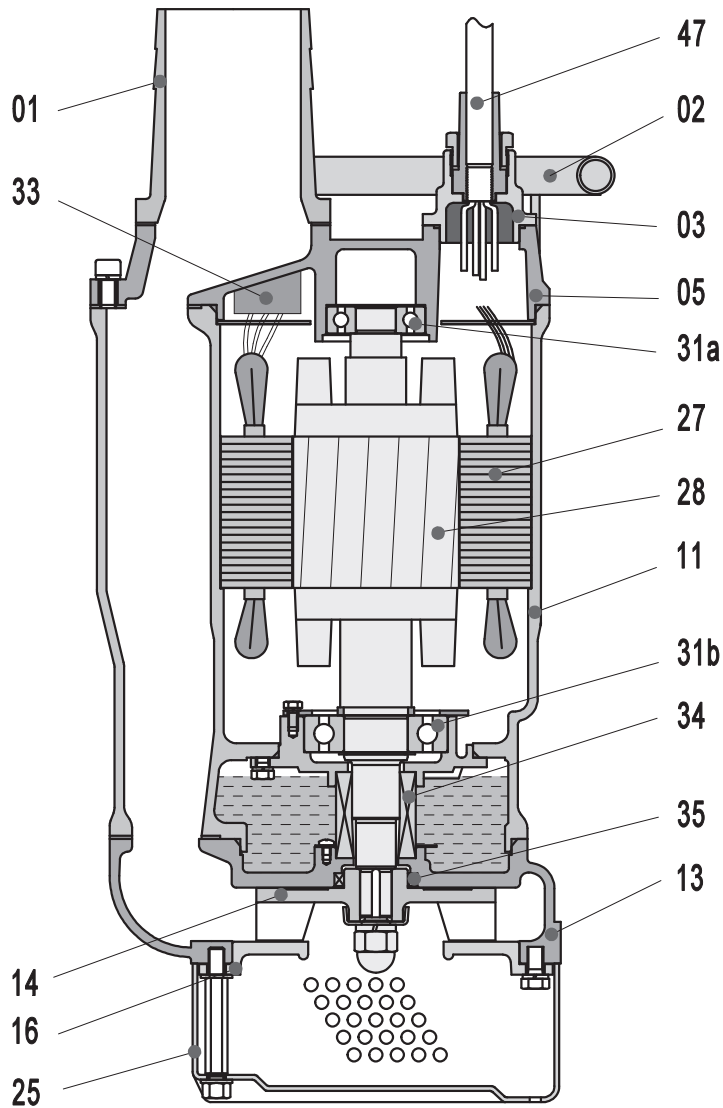
C.W.L.:Continuous Running Water Level.

**SOLIDPUMP EUROPE SIA**

DIMENSION DRAWING

TYPE: **SUBMERSIBLE DRAINAGE PUMP**

MODEL: 80TBZ5.5



Item No.	Part name	Material	Item No.	Part name	Material
01	Hose coupling	Cast iron	27	Stator	
02	Handle	Steel	28	Rotor	AISI ss420
03	Terminal box	Cast iron	31a	Bearing	Ball bearing
05	Upper cover	Cast iron	31b	Bearing	Ball bearing
11	Motor body	Cast iron	33	Motor protector	
13	Pump body	Cast iron	34	Mechanical seal	Sic-Sic/Sic-Sic
14	Impeller	High chrome alloy	35	Oil seal	
16	Inlet plate	Ductile iron	47	Cable	
25	Strainer	Steel			

*Specifications can be changed without notice*

**Solidpump Europe SIA**  
 Uriekstes iela 14a  
 Rīga, LV-1005  
 LATVIA  
 Tel.: + 371 66968996  
 E-mail: info@solidpump.com  
 www.solidpump.com

Ver. 21.11.2022

**SOLIDPUMP EUROPE SIA**