

# PUMP PERFORMANCE CURVES

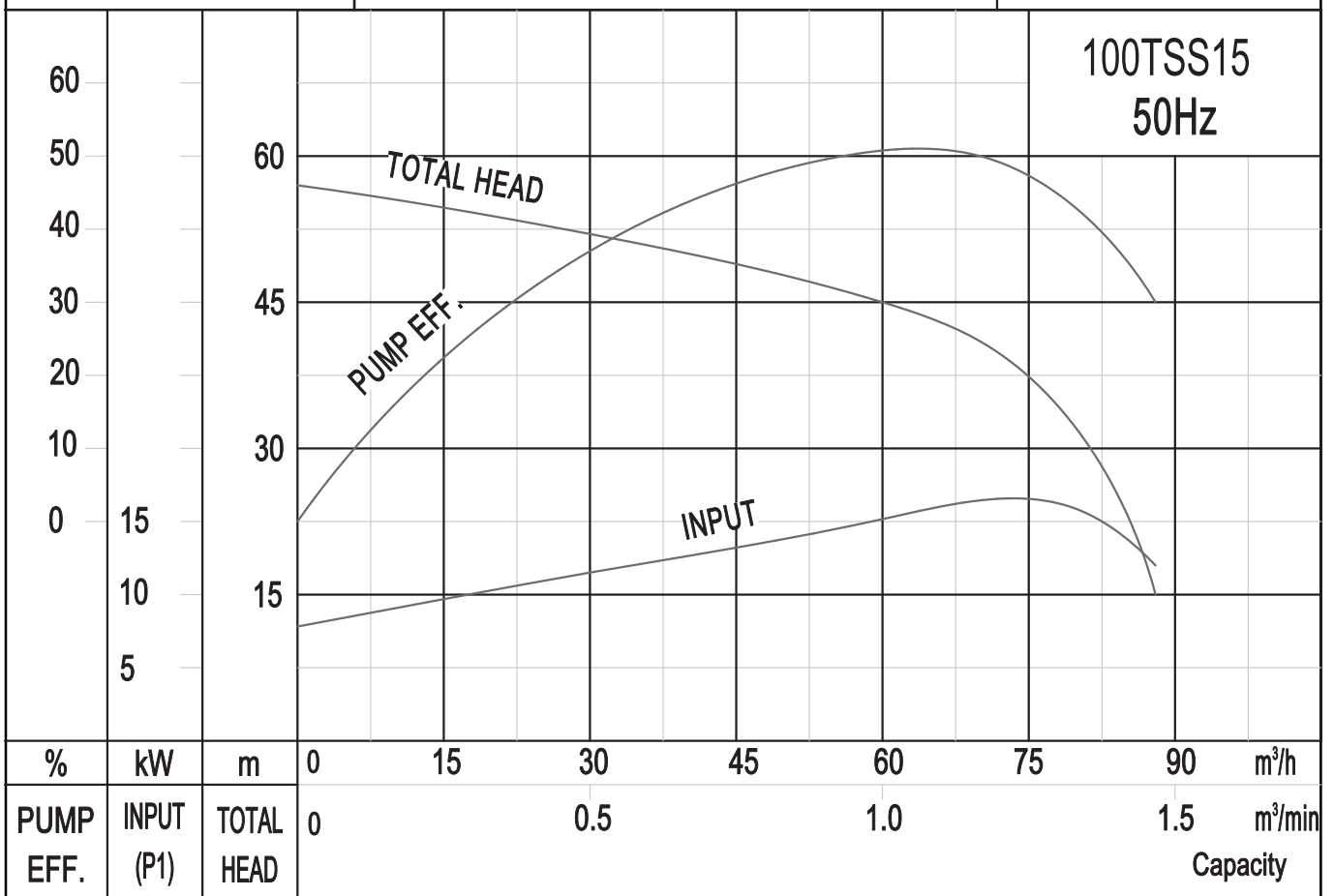
TYPE: SUBMERSIBLE DRAINAGE PUMP

MODEL: 100TSS15

FREQUENCY: 50Hz

## STANDARD SPECIFICATIONS

DISCHARGE BORE	100 mm	
HEAD	Max: 57 m	Rated: 45 m
CAPACITY	Max: 1.44 m <sup>3</sup> /min	Rated: 1.0 m <sup>3</sup> /min
MOTOR OUTPUT	15 kW	
PHASE x VOLTAGE	3 Øx 400 V	
CURRENT	29.5 A	
POLES/REVOLUTION	2 P/ S.S.2850 min <sup>-1</sup>	
STARTING METHOD	Direct-on-line start	
INSULATION CLASS	F	



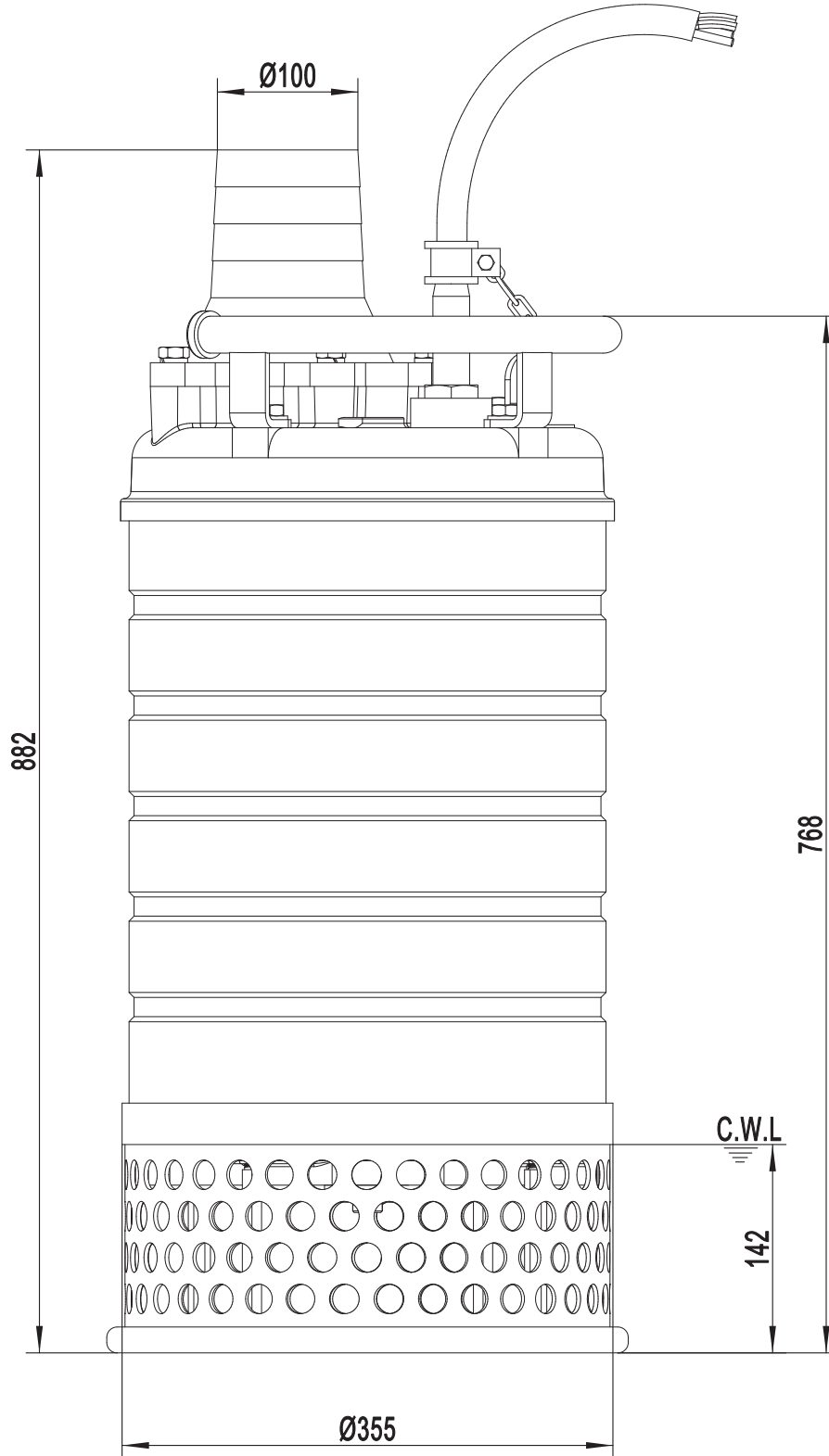
**SOLIDPUMP EUROPE SIA**

DIMENSION DRAWING

TYPE: **SUBMERSIBLE DRAINAGE PUMP**

MODEL: 100TSS15

Model	N.W(kg)
100TSS15	145



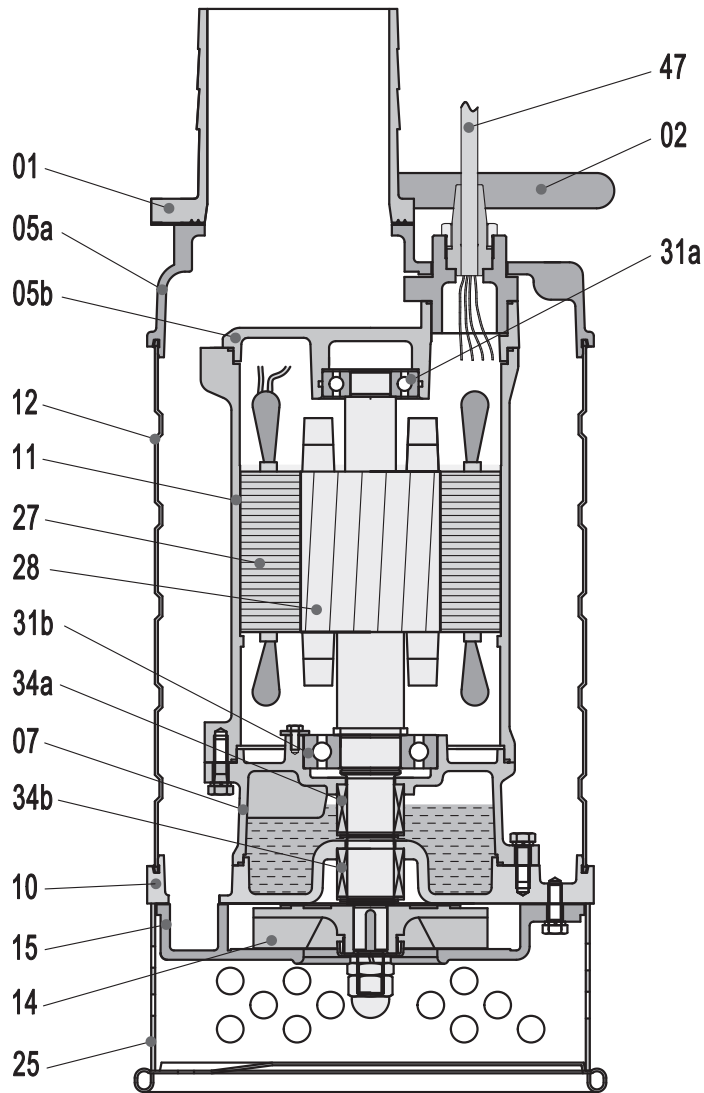
C.W.L.:Continuous Running Water Level.

**SOLIDPUMP EUROPE SIA**

DIMENSION DRAWING

TYPE: **SUBMERSIBLE DRAINAGE PUMP**

MODEL: 100TSS15



Item No.	Part name	Material	Item No.	Part name	Material
01	Hose coupling	AISI304SS	15	Diffuser	AISI304SS
02	Handle	AISI304SS	25	Strainer	AISI304SS
05a	Upper cover	AISI304SS	27	Stator	
05b	Upper cover	AISI304SS	28	Rotor	Shaft:AISI420SS
07	Bearing house	AISI304SS	31a	Bearing	Ball bearing
10	Seal bracket	AISI304SS	31b	Bearing	Ball bearing
11	Motor casing	Cast iron	34a	Mechanical seal	
12	Outer casing	Stainless steel	34b	Mechanical seal	
14	Impeller	AISI304SS	47	Cable	H07RN-F

*Specifications can be changed without notice*

**Solidpump Europe SIA**

Uriekstes iela 14a  
Rīga, LV-1005  
LATVIA

Tel.: + 371 66968996  
E-mail: info@solidpump.com  
www.solidpump.com

Ver. 21.11.2022

**SOLIDPUMP EUROPE SIA**