

PUMP PERFORMANCE CURVES

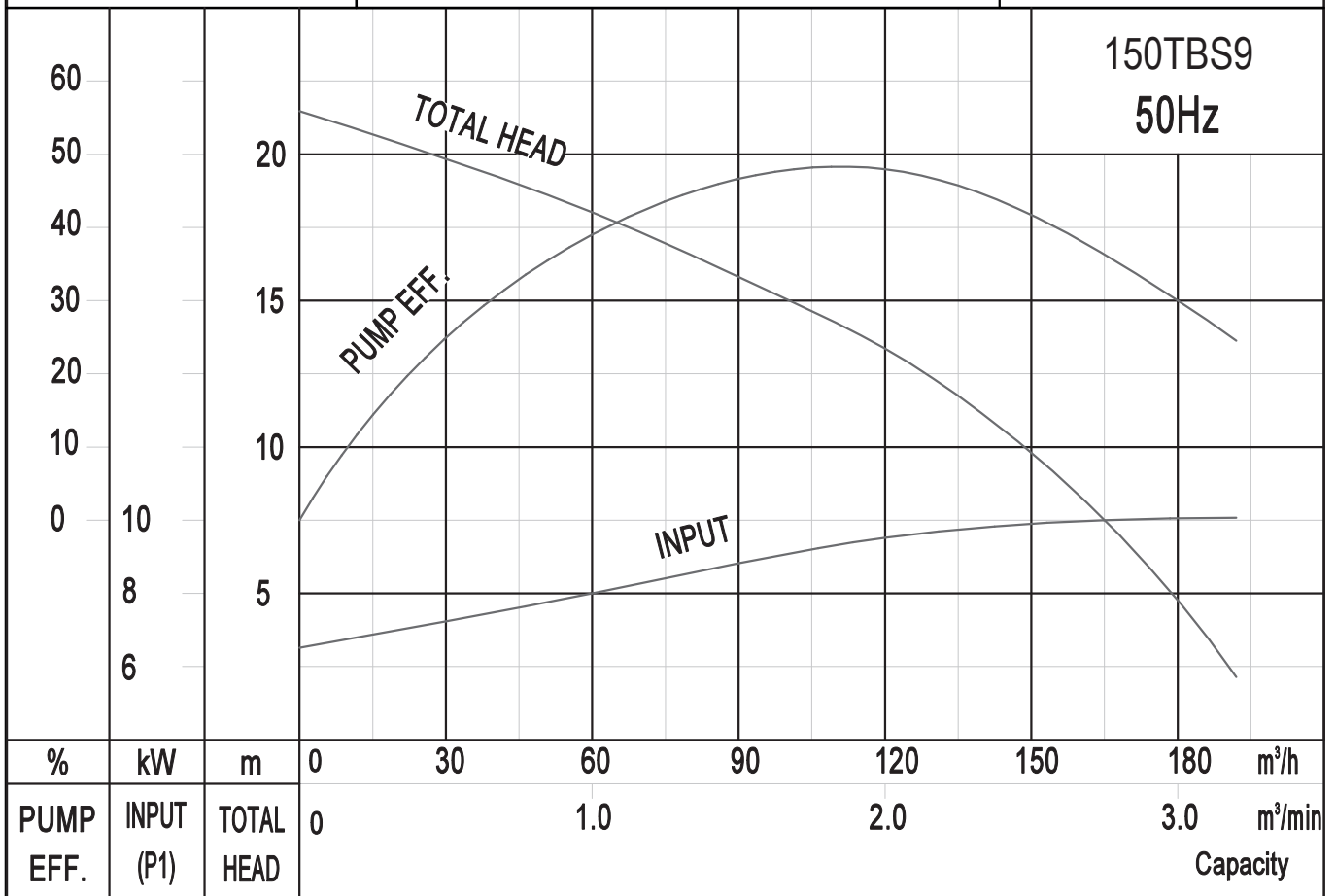
TYPE: SUBMERSIBLE SLURRY PUMP

MODEL: 150TBS9

FREQUENCY: 50Hz

STANDARD SPECIFICATIONS

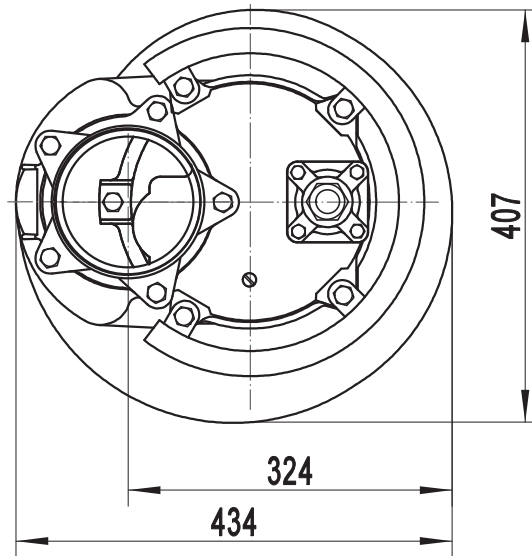
DISCHARGE BORE	150 mm	
HEAD	Max: 21.5 m	Rated: 15 m
CAPACITY	Max: 3.20 m ³ /min	Rated: 1.67 m ³ /min
MOTOR OUTPUT	9 kW	
PHASE x VOLTAGE	3 Øx 380/400V	
CURRENT	19.5A	
POLES/REVOLUTION	4 P/ S.S.1450 min ⁻¹	
STARTING METHOD	Direct-on-line start	
INSULATION CLASS	F	



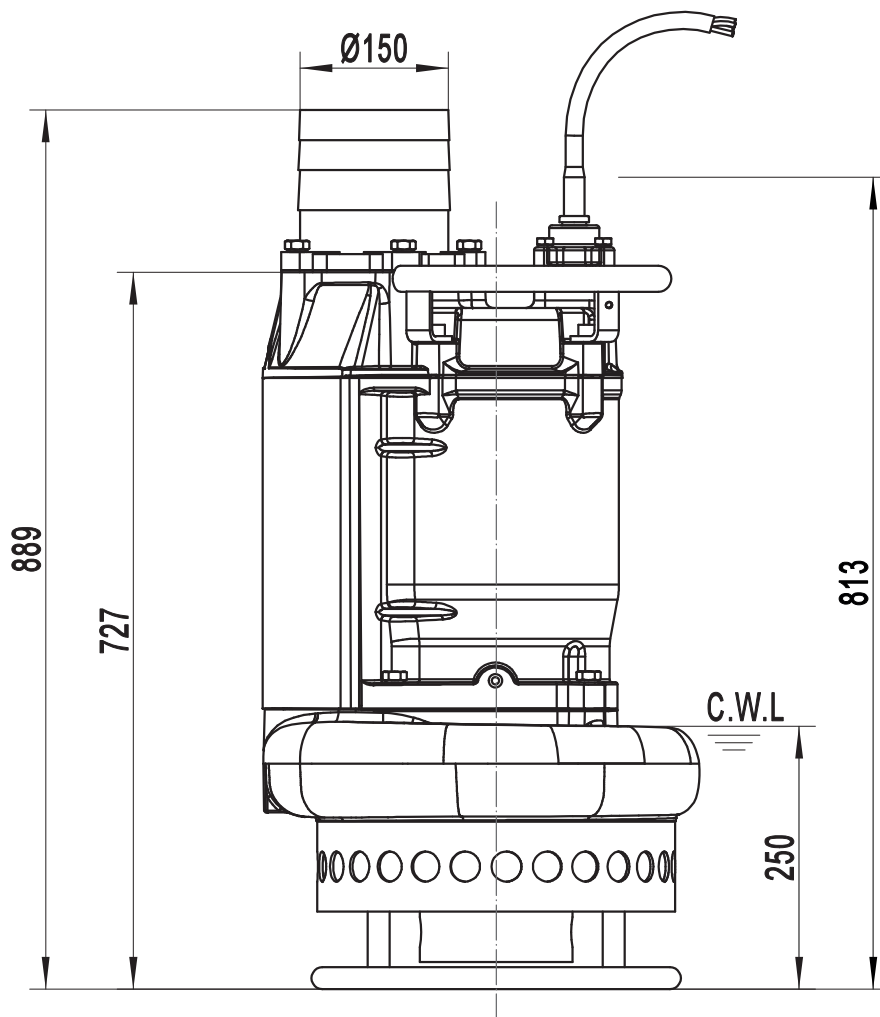
SOLIDPUMP EUROPE SIA

DIMENSION DRAWING
TYPE: **SUBMERSIBLE SLURRY PUMP**

MODEL: 150TBS9



Model	N.W(kg)
150TBS9	171



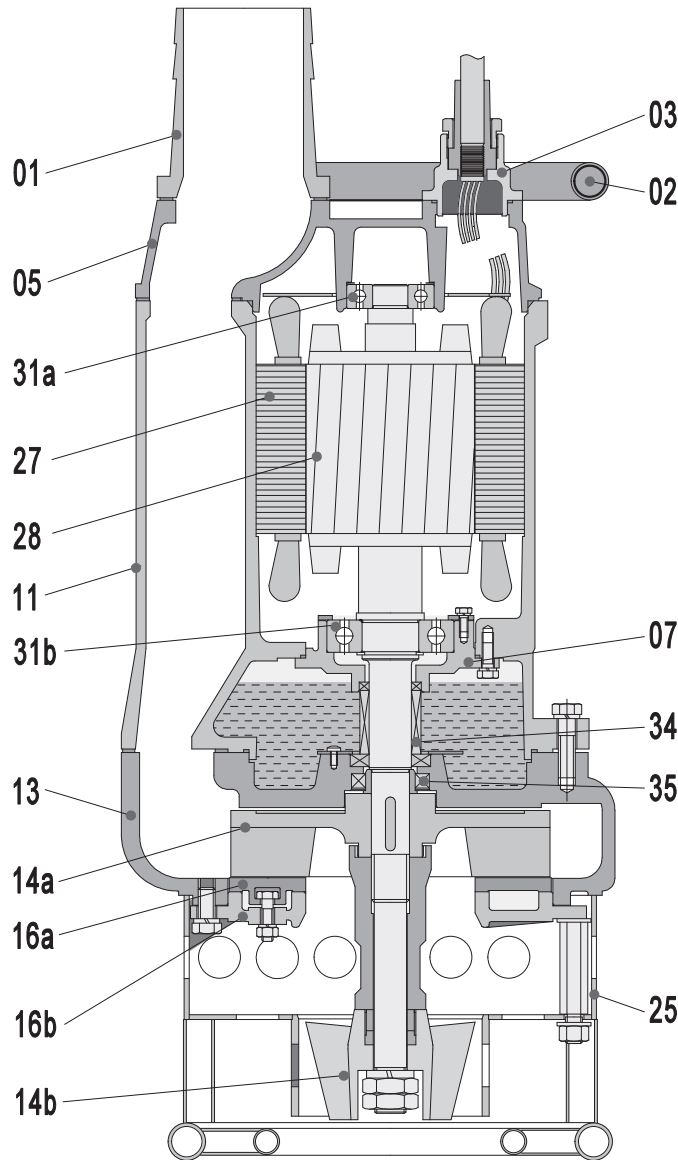
C.W.L:Continuous Running Water Level.

SOLIDPUMP EUROPE SIA

DIMENSION DRAWING

TYPE: **SUBMERSIBLE SLURRY PUMP**

MODEL: 150TBS9



Item No.	Part name	Material	Item No.	Part name	Material
01	Hose coupling	Cast iron	16b	Inlet plate	Cast iron
02	Handle	Steel	25	Strainer	Steel
05	Upper cover	Cast iron	27	Stator	
07	Bearing house	Cast iron	28	Rotor	Shaft:AISI420SS
11	Motor body	Cast iron	31a	Bearing	Ball bearing
13	Pump body	Cast iron	31b	Bearing	Ball bearing
14a	Impeller	High chrome alloy	34	Mechanical seal	Sic-Sic/Sic-Sic
14b	Agitator	High chrome alloy	35	Oil seal	
16a	Inlet plate	High chrome alloy	47	Cable	

Specifications can be changed without notice

Solidpump Europe SIA
 Uriekstes iela 14a
 Rīga, LV-1005
 LATVIA
 Tel.: + 371 66968996
 E-mail: info@solidpump.com
 www.solidpump.com

Ver. 21.11.2022

SOLIDPUMP EUROPE SIA