

# PUMP PERFORMANCE CURVES

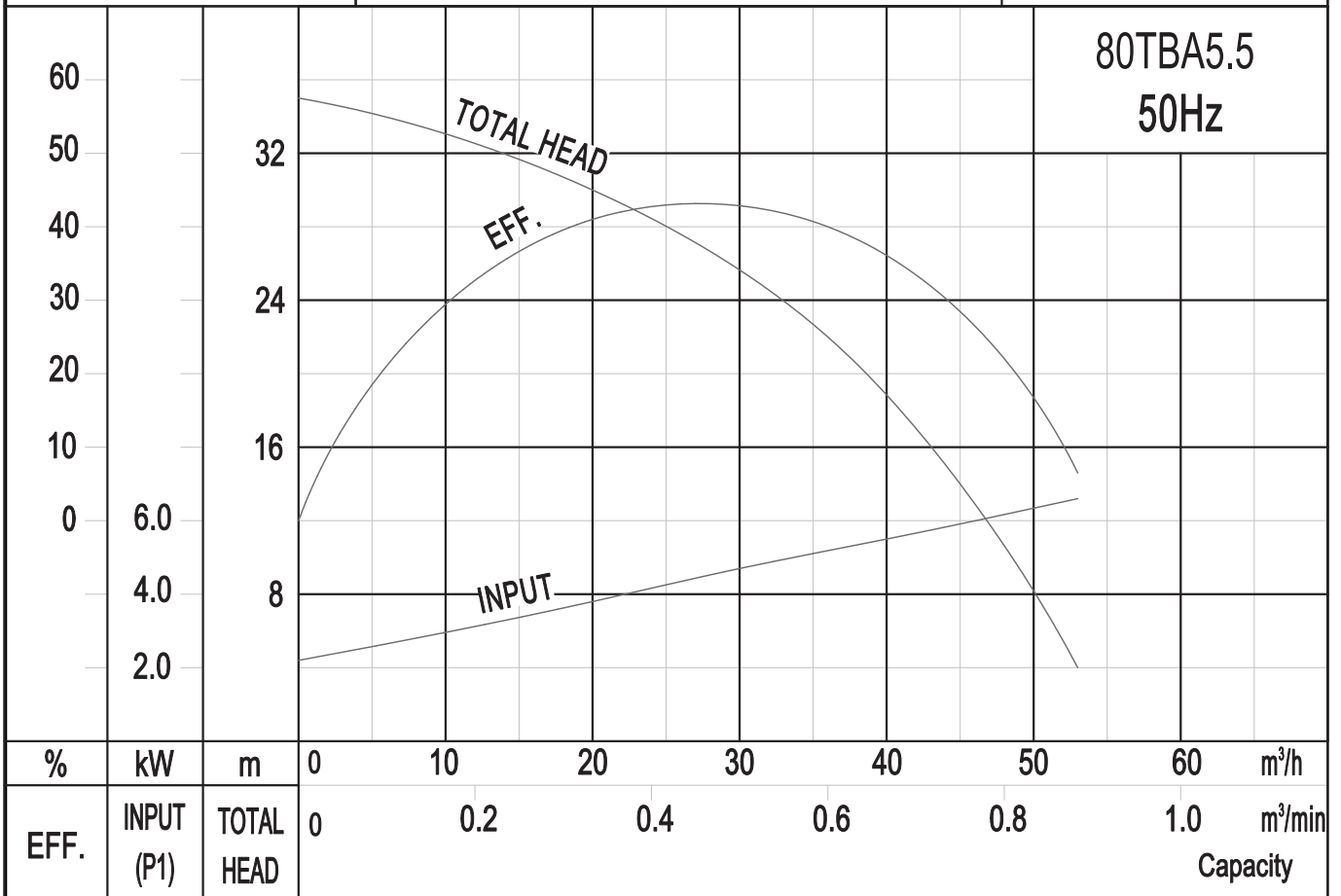
TYPE: SUBMERSIBLE DRAINAGE PUMP

MODEL: 80TBA5.5

FREQUENCY: 50Hz

## STANDARD SPECIFICATIONS

DISCHARGE BORE	80 mm	
HEAD	Max: 35 m	Rated: 22 m
CAPACITY	Max: 54 m <sup>3</sup> /h	Rated: 36 m <sup>3</sup> /h
SOLIDS DIA	8.5 mm	
MOTOR OUTPUT	5.5 kW	
PHASE x VOLTAGE	3 Øx 400 V	
CURRENT	11.2 A	
POLES/REVOLUTION	2 P/ S.S.2850 min <sup>-1</sup>	
STARTING METHOD	Direct on line	
INSULATION CLASS	F	

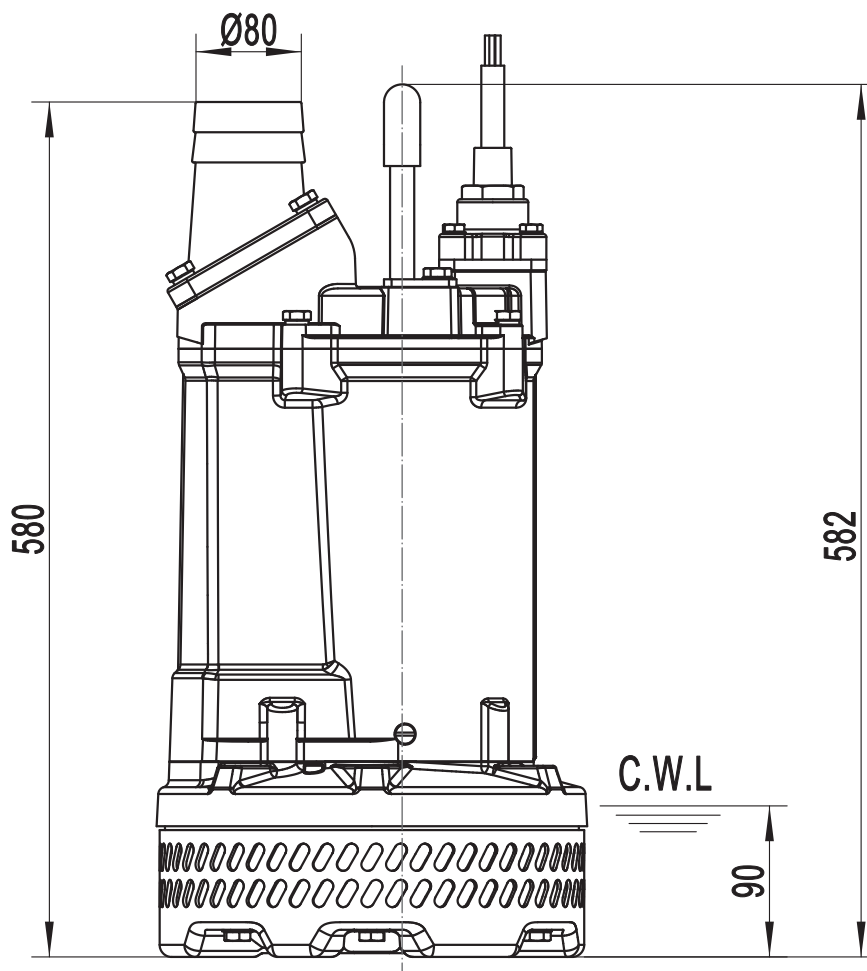
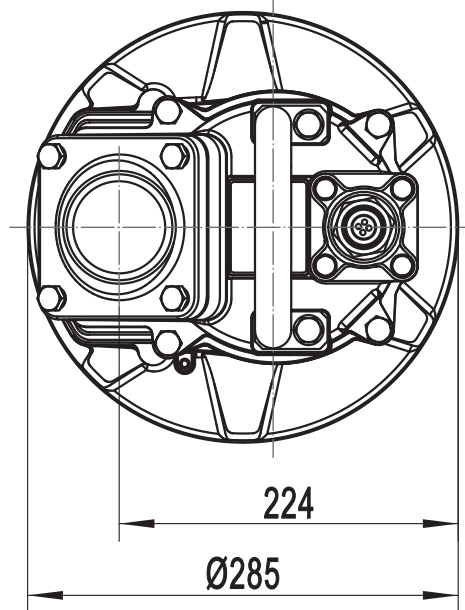


**SOLIDPUMP EUROPE SIA**

SECTIONAL DRAWING  
TYPE: **SUBMERSIBLE DRAINAGE PUMP**

**MODEL: 80TBA5.5**

Model	N.W(kg)
80TBA5.5	46.5

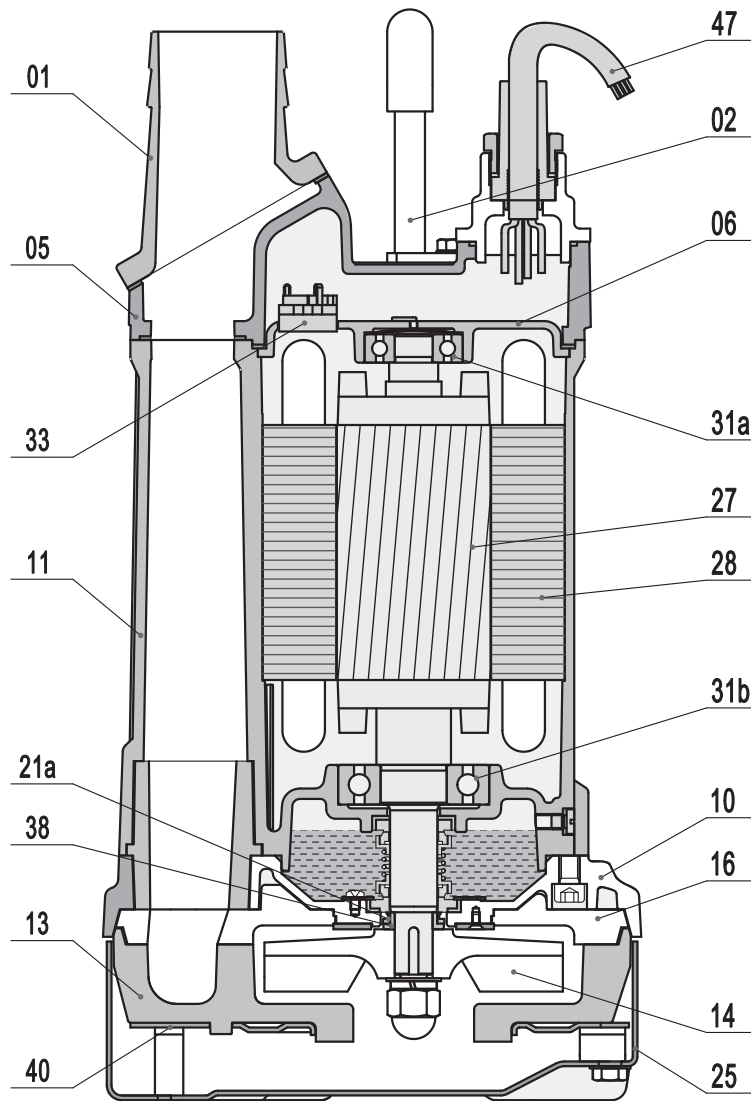


C.W.L.: Continuous Running Water Level.

**SOLIDPUMP EUROPE SIA**

SECTIONAL DRAWING  
 TYPE: **SUBMERSIBLE DRAINAGE PUMP**

**MODEL: 80TBA5.5**



Item No.	Part name	Material	Item No.	Part name	Material
01	Hose coupling	Aluminum die casting	27	Stator	
02	Handle	Rubber & AISI304SS	28	Rotor	Shaft:Stainless steel
05	Upper cover	Aluminum die casting	31a	Bearing	Ball bearing
06	Up-Bearing house	Cast iron	31b	Bearing	Ball bearing
10	Seal house	Aluminum die casting	33	Motor protector	
11	Motor body	Aluminum die casting	34	Mechanical seal	Sic-Sic/Carbon-Ceramic
13	Pump body	NBR	38	Shaft sleeve	
14	Impeller	High chrome alloy	40	Clamping plate	Steel
16	Plate	NBR	47	Cable	
21b	Sand guard	NBR			

*Specifications can be changed without notice*

**Solidpump Europe SIA**

Uriekstes iela 14a  
 Rīga, LV-1005  
 LATVIA

Tel.: + 371 66968996  
 E-mail: info@solidpump.com  
 www.solidpump.com

Ver. 27.07.2023

**SOLIDPUMP EUROPE SIA**