

PUMP PERFORMANCE CURVES

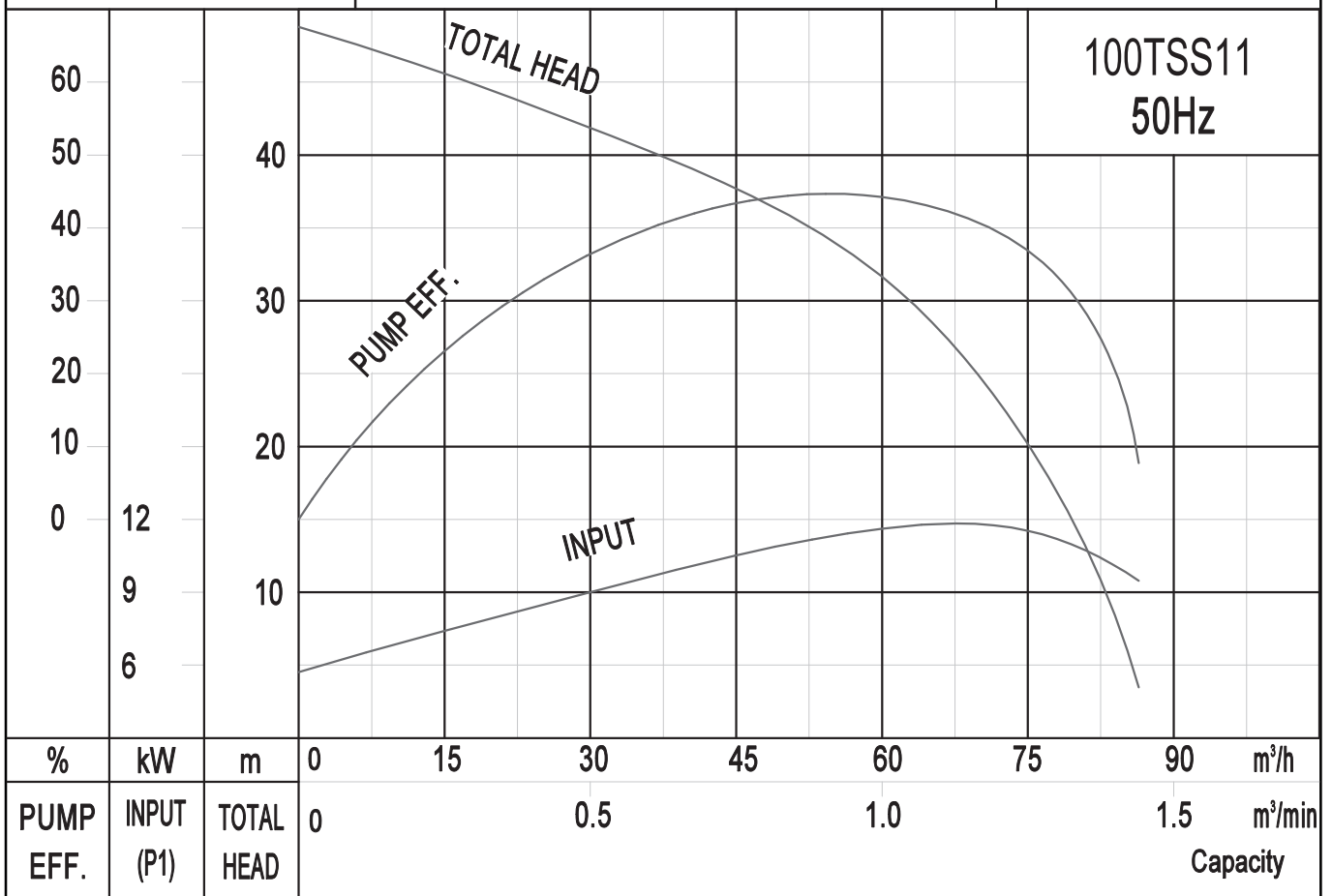
TYPE: SUBMERSIBLE DRAINAGE PUMP

MODEL: 100TSS11

FREQUENCY: 50Hz

STANDARD SPECIFICATIONS

DISCHARGE BORE	100 mm	
HEAD	Max: 48.5 m	Rated: 32 m
CAPACITY	Max: 1.44 m ³ /min	Rated: 1.0 m ³ /min
MOTOR OUTPUT	11 kW	
PHASE x VOLTAGE	3 Øx 400 V	
CURRENT	22 A	
POLES/REVOLUTION	2 P/ S.S.2850 min ⁻¹	
STARTING METHOD	Direct-on-line start	
INSULATION CLASS	F	



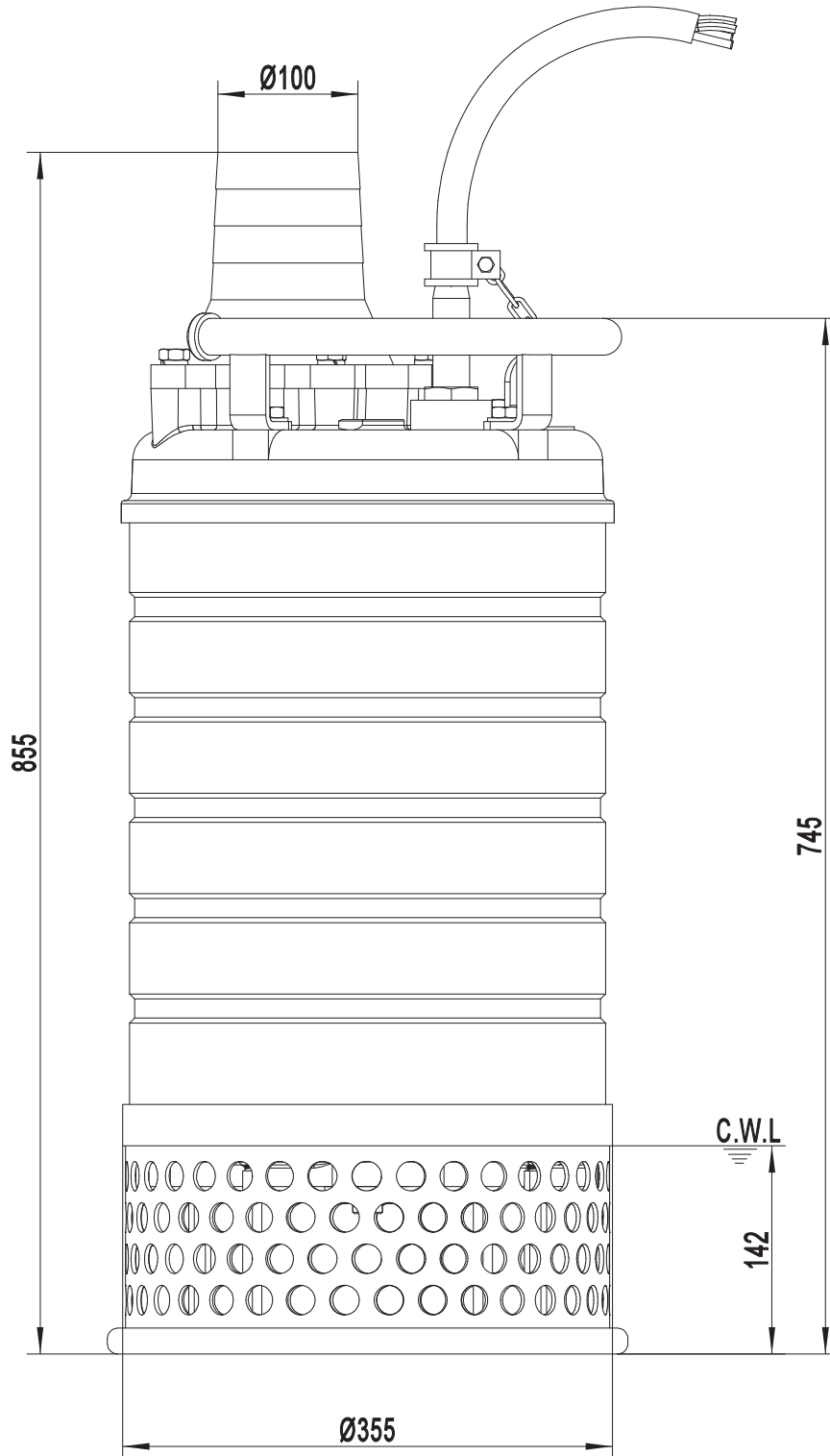
SOLIDPUMP EUROPE SIA

DIMENSION DRAWING

TYPE: **SUBMERSIBLE DRAINAGE PUMP**

MODEL: 100TSS11

Model	N.W(kg)
100TSS11	123



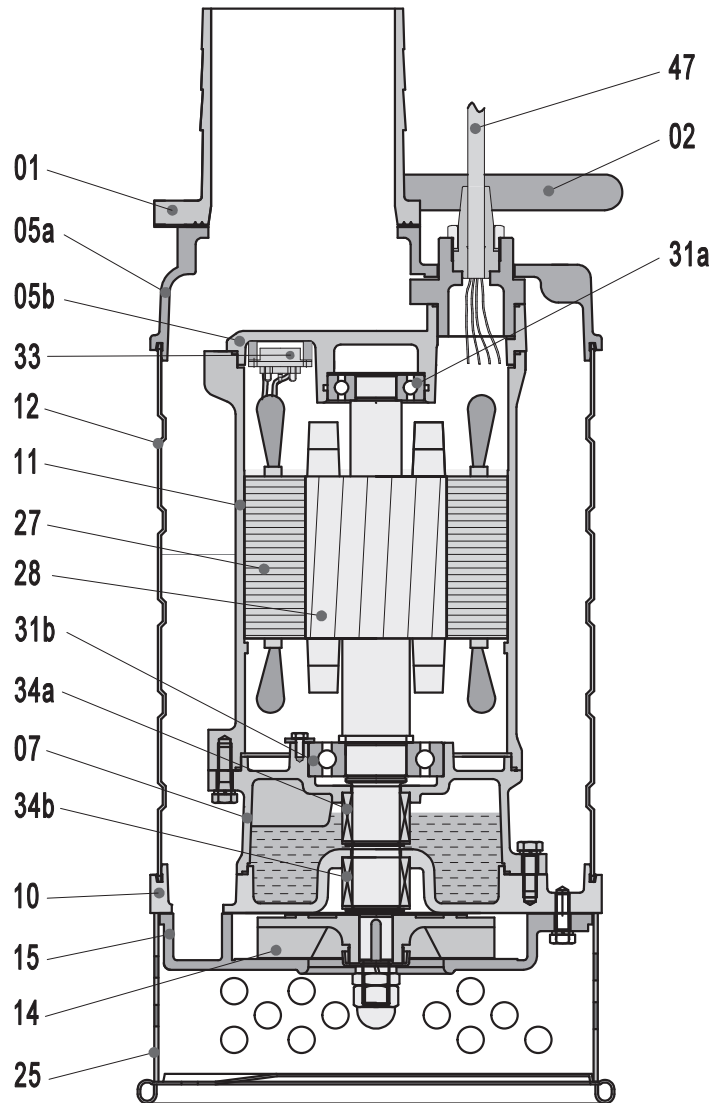
C.W.L.: Continuous Running Water Level.

SOLIDPUMP EUROPE SIA

DIMENSION DRAWING

TYPE: SUBMERSIBLE DRAINAGE PUMP

MODEL: 100TSS11



Item No.	Part name	Material	Item No.	Part name	Material
01	Hose coupling	AISI304SS	25	Strainer	AISI304SS
02	Handle	AISI304SS	27	Stator	
05a	Upper cover	AISI304SS	28	Rotor	Shaft:AISI420SS
05b	Upper cover	AISI304SS	31a	Bearing	Ball bearing
07	Bearing house	AISI304SS	31b	Bearing	Ball bearing
10	Seal bracket	AISI304SS	33	Motor protector	
11	Motor casing	Stainless steel	34a	Mechanical seal	
12	Outer casing	AISI304SS	34b	Mechanical seal	
14	Impeller	AISI304SS	47	Cable	H07RN-F
15	Diffuser	AISI304SS			

Specifications can be changed without notice

Solidpump Europe SIA

Uriekstes iela 14a
Rīga, LV-1005
LATVIA

Tel.: + 371 66968996
E-mail: info@solidpump.com
www.solidpump.com

Ver. 21.11.2022

SOLIDPUMP EUROPE SIA