

# PUMP PERFORMANCE CURVES

TYPE: SUBMERSIBLE DRAINAGE PUMP

MODEL: 80TSS1.5

FREQUENCY: 50Hz

## STANDARD SPECIFICATIONS

DISCHARGE BORE

80 mm

HEAD

Max: 14 m

Rated: 9 m

CAPACITY

Max: 0.7 m<sup>3</sup>/min

Rated: 0.45 m<sup>3</sup>/min

MOTOR OUTPUT

1.5 kW

PHASE x VOLTAGE

3 Øx 400 V

CURRENT

3.5 A

POLES/REVOLUTION

2 P/ S.S.2850 min<sup>-1</sup>

STARTING METHOD

Direct-on-line start

INSULATION CLASS

F

60  
50  
40  
30  
20  
10  
0  
1.8  
1.5  
1.2

12  
9  
6  
3

TOTAL HEAD

PUMP EFF.

INPUT

80TSS1.5  
50Hz

%

kW

m

0

10

20

30

40

m<sup>3</sup>/h

PUMP  
EFF.

INPUT  
(P1)

TOTAL  
HEAD

0

0.25

0.5

m<sup>3</sup>/min

Capacity

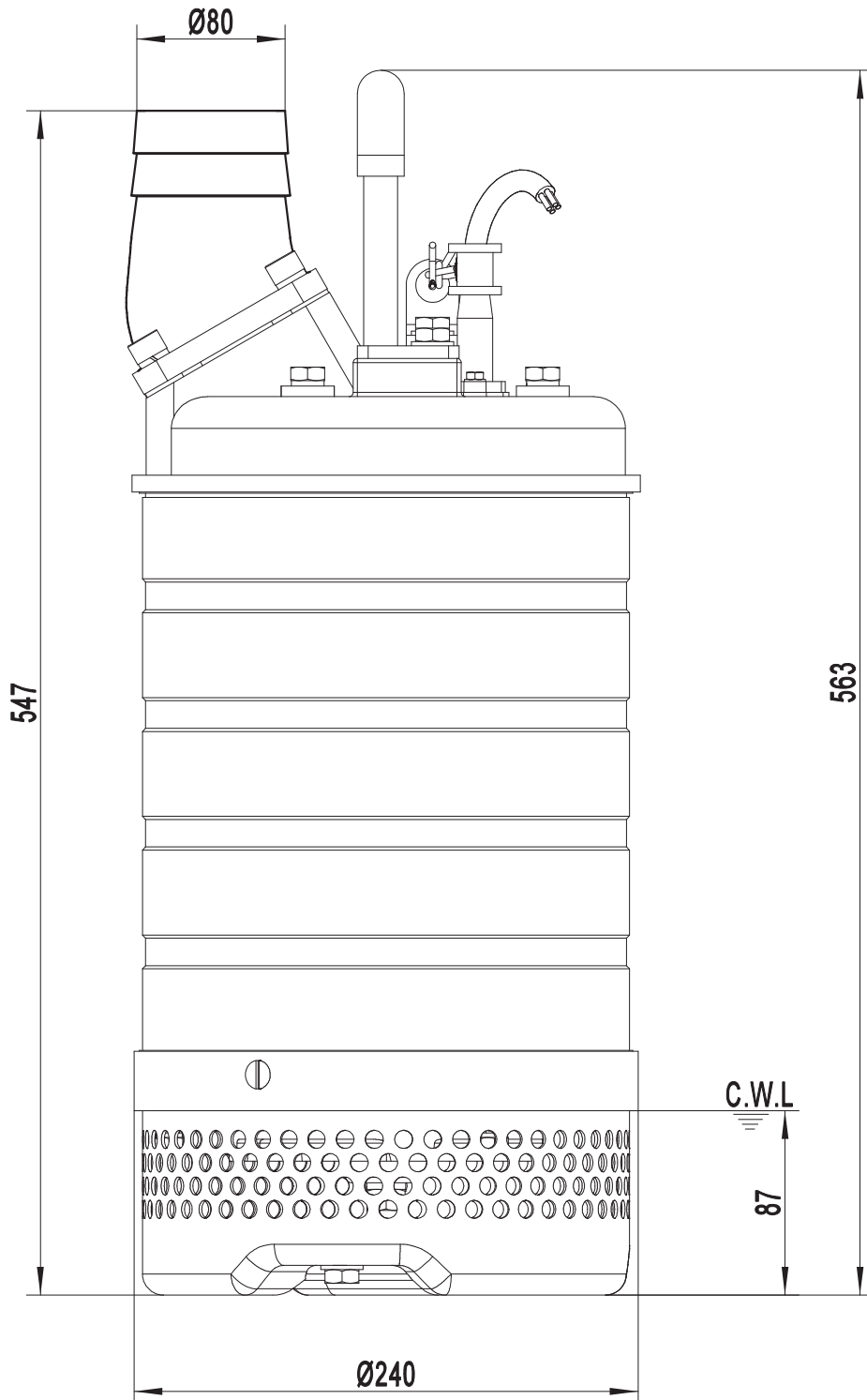
**SOLIDPUMP EUROPE SIA**

DIMENSION DRAWING

TYPE: **SUBMERSIBLE DRAINAGE PUMP**

MODEL: 80TSS1.5

Model	N.W(kg)
80TSS1.5	37



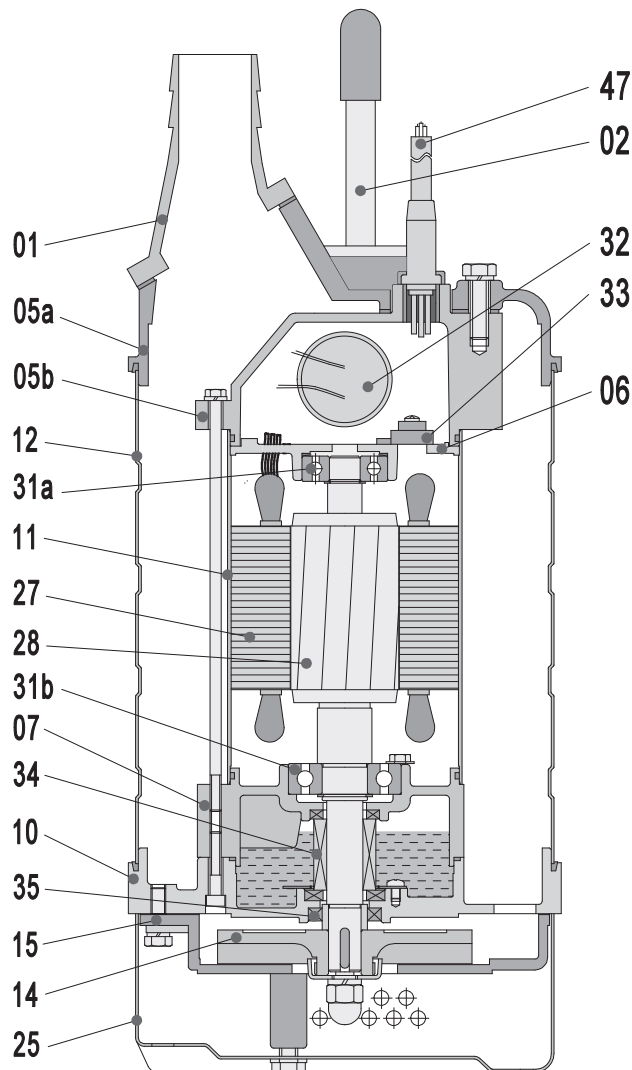
C.W.L.:Continuous Running Water Level.

**SOLIDPUMP EUROPE SIA**

# DIMENSION DRAWING

## TYPE: SUBMERSIBLE DRAINAGE PUMP

MODEL: 80TSS1.5



Item No.	Part name	Material	Item No.	Part name	Material
01	Hose coupling	AISI304SS	25	Strainer	AISI304SS
02	Handle	AISI304SS	27	Stator	
05a	Upper cover	AISI304SS	28	Rotor	Shaft:AISI420SS
05b	Upper cover	AISI304SS	31a	Bearing	Ball bearing
06	Up-Bearing house	Cast iron	31b	Bearing	Ball bearing
07	Bearing house	AISI304SS	32	Capacitor	(Single phase only)
10	Seal bracket	AISI304SS	33	Motor protector	
11	Motor casing	Stainless steel	34	Mechanical seal	Sic-Sic/Carbon-Sic
12	Outer casing	AISI304SS	35	Oil seal	
14	Impeller	AISI304SS	47	Cable	H07RNF
15	Diffuser	AISI304SS			

*Specifications can be changed without notice*

### Solidpump Europe SIA

Uriekstes iela 14a  
Rīga, LV-1005  
LATVIA

Tel.: + 371 66968996  
E-mail: info@solidpump.com  
www.solidpump.com

Ver. 21.11.2022

# SOLIDPUMP EUROPE SIA