

# PUMP PERFORMANCE CURVES

TYPE: SUBMERSIBLE DRAINAGE PUMP

MODEL: 100TBZ3.7

FREQUENCY: 50Hz

## STANDARD SPECIFICATIONS

DISCHARGE BORE

100 mm

HEAD

Max: 18.5 m

Rated: 11.5 m

CAPACITY

Max: 1.5 m<sup>3</sup>/min

Rated: 1.0 m<sup>3</sup>/min

MOTOR OUTPUT

3.7 kW

PHASE x VOLTAGE

3 Øx 400 V

CURRENT

7.7 A

POLES/REVOLUTION

2 P/ S.S.2850 min<sup>-1</sup>

STARTING METHOD

Direct-on-line start

INSULATION CLASS

F

60  
50  
40  
30  
20  
10  
0  
4.0  
3.0  
2.0

TOTAL HEAD

PUMP EFF.

INPUT

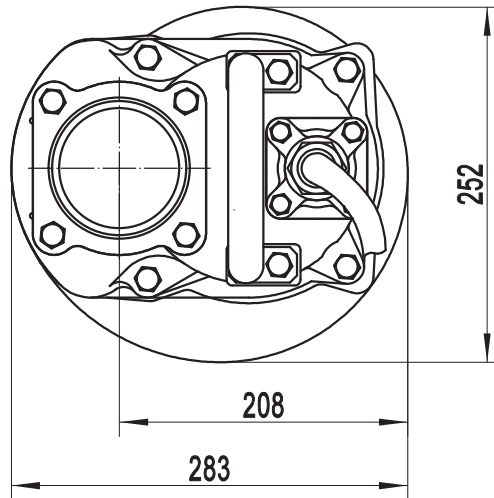
100TBZ3.7  
50Hz

%	kW	m	0	15	30	45	60	75	90	m <sup>3</sup> /h
PUMP EFF.	INPUT (P1)	TOTAL HEAD	0	0.5	1.0	1.5	Capacity			

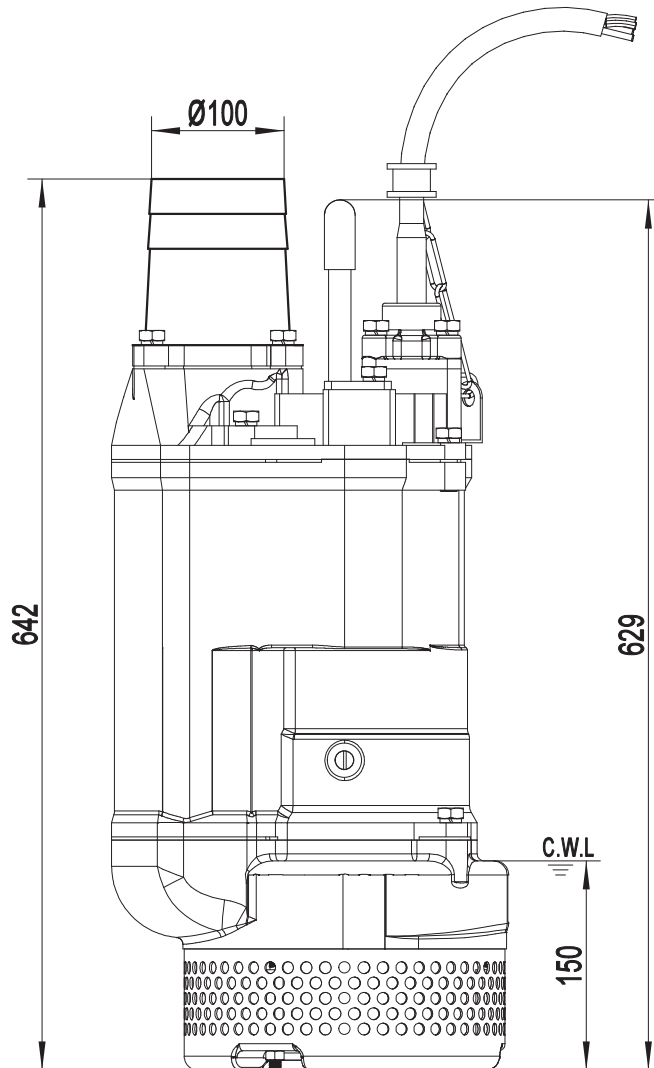
SOLIDPUMP EUROPE SIA

DIMENSION DRAWING  
TYPE: **SUBMERSIBLE DRAINAGE PUMP**

MODEL: 100TBZ3.7



Model	N.W(kg)
100TBZ3.7	63

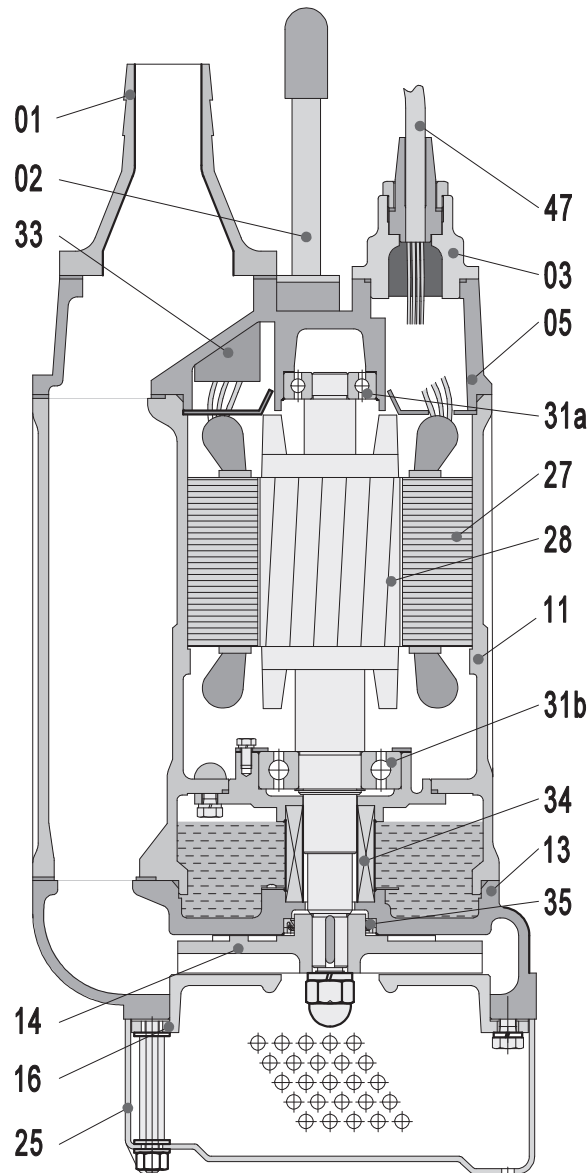


C.W.L:Continuous Running Water Level.

**SOLIDPUMP EUROPE SIA**

**DIMENSION DRAWING**  
**TYPE: SUBMERSIBLE DRAINAGE PUMP**

**MODEL: 100TBZ3.7**



Item No.	Part name	Material	Item No.	Part name	Material
01	Hose coupling	Cast iron	27	Stator	Shaft: AISI420SS
02	Handle	Rubber&steel	28	Rotor	Ball bearing
03	Terminal box	Cast iron	31a	Bearing	Ball bearing
05	Upper cover	Cast iron	31b	Bearing	
11	Motor body	Cast iron	33	Motor protector	Sic-Sic/Sic-Sic
13	Pump body	Cast iron	34	Mechanical seal	
14	Impeller	High chrome alloy	35	Oil seal	
16	Inlet plate	Ductile iron	47	Cable	
25	Strainer	Steel			

*Specifications can be changed without notice*

**Solidpump Europe SIA**

Uriekstes iela 14a  
 Rīga, LV-1005  
 LATVIA

Tel.: + 371 66968996  
 E-mail: info@solidpump.com  
 www.solidpump.com

Ver. 21.11.2022

**SOLIDPUMP EUROPE SIA**