

PUMP PERFORMANCE CURVES

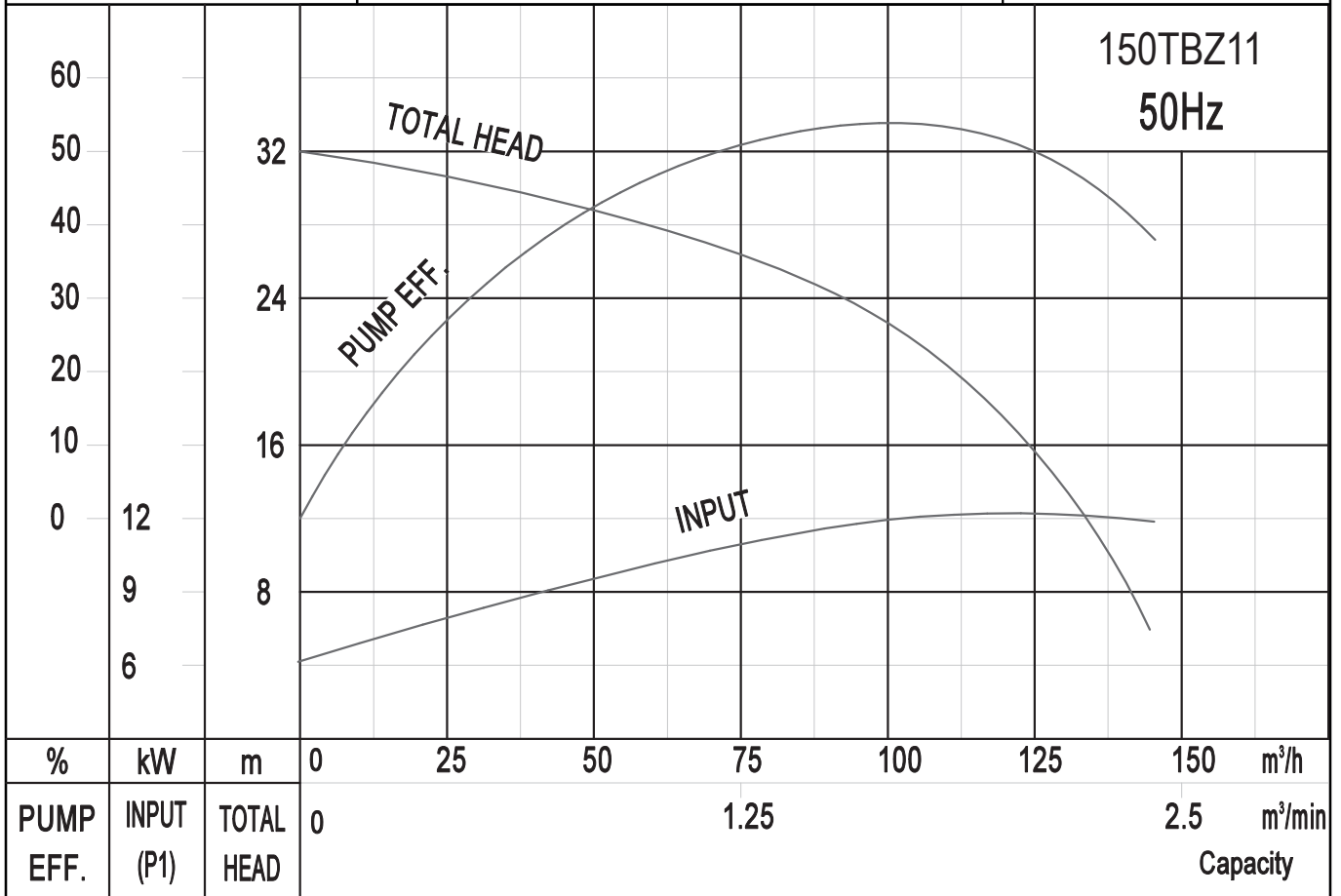
TYPE: SUBMERSIBLE DRAINAGE PUMP

MODEL: 150TBZ11

FREQUENCY: 50Hz

STANDARD SPECIFICATIONS

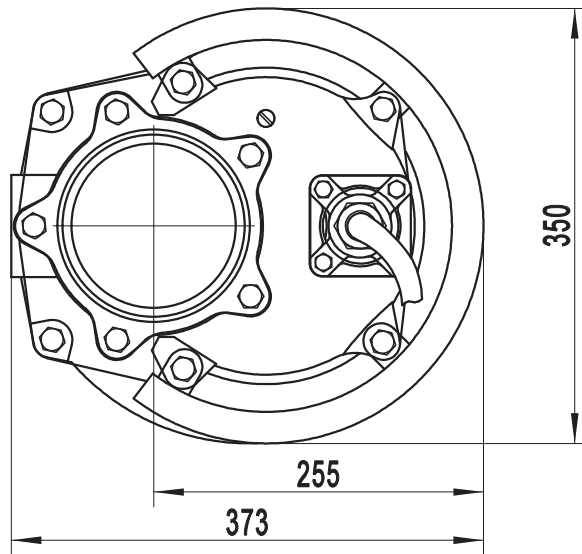
DISCHARGE BORE	150 mm	
HEAD	Max: 32 m	Rated: 22 m
CAPACITY	Max: 2.45 m ³ /min	Rated: 1.70 m ³ /min
MOTOR OUTPUT	11 kW	
PHASE x VOLTAGE	3 Øx 400 V	
CURRENT	22 A	
POLES/REVOLUTION	2 P/ S.S.2850 min ⁻¹	
STARTING METHOD	Direct-on-line start	
INSULATION CLASS	F	



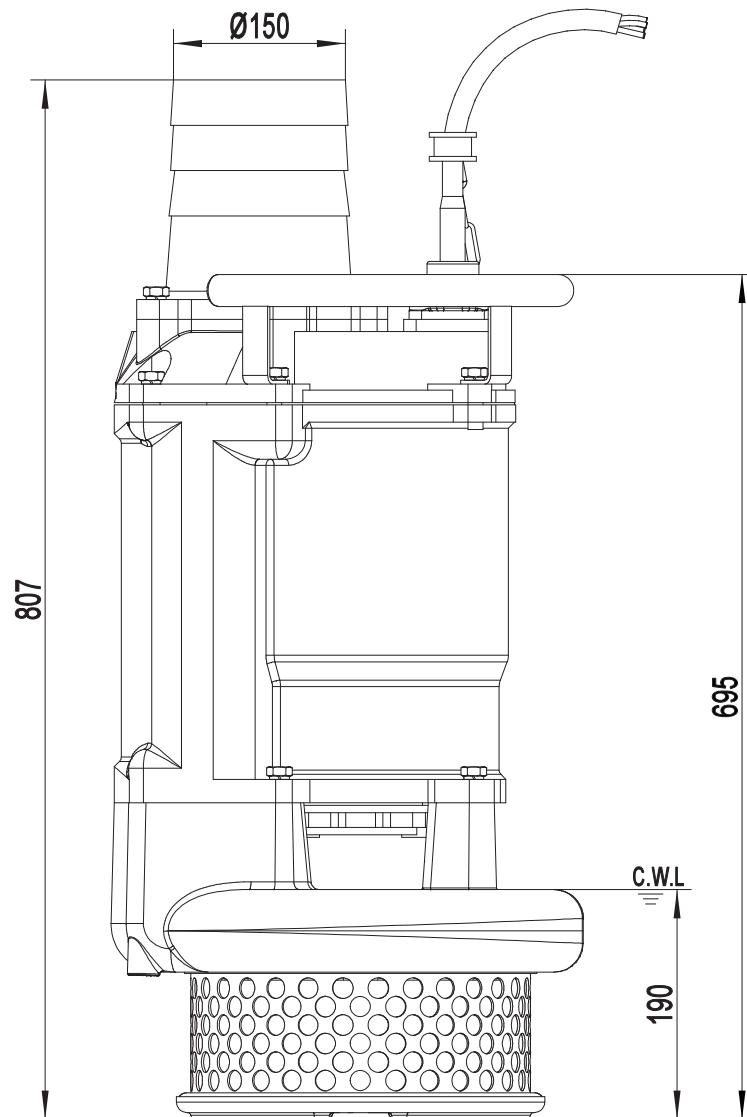
SOLIDPUMP EUROPE SIA

DIMENSION DRAWING
TYPE: **SUBMERSIBLE DRAINAGE PUMP**

MODEL: 150TBZ11



Model	N.W(kg)
150TBZ11	139



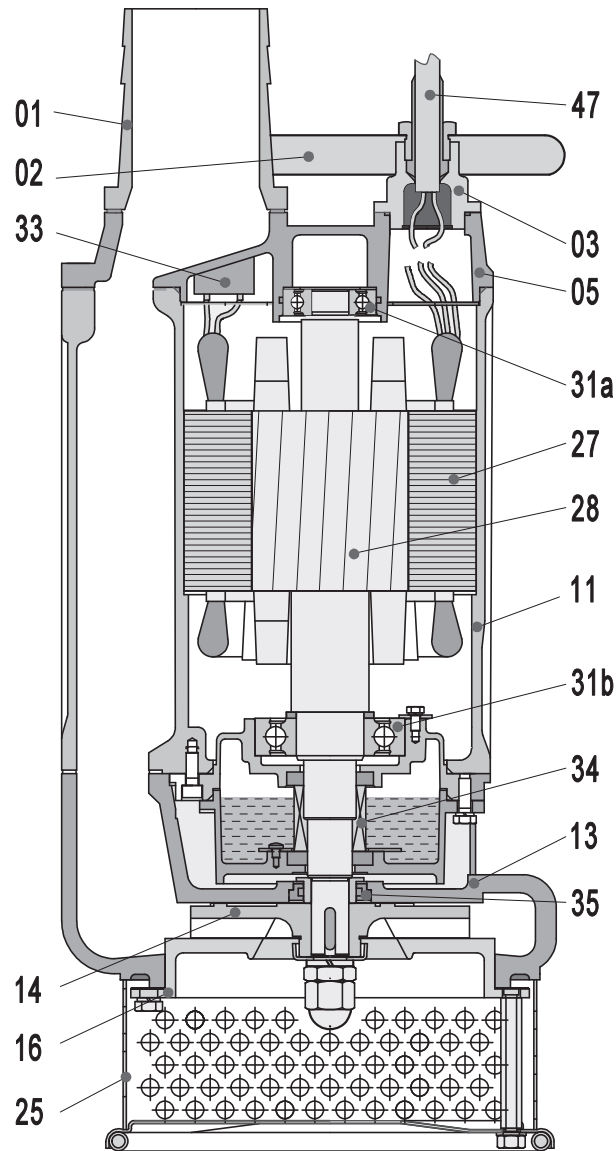
C.W.L.:Continuous Running Water Level.

SOLIDPUMP EUROPE SIA

DIMENSION DRAWING

TYPE: SUBMERSIBLE DRAINAGE PUMP

MODEL: 150TBZ11



Item No.	Part name	Material	Item No.	Part name	Material
01	Hose coupling	Cast iron	27	Stator	Shaft:AISI420SS
02	Handle	Steel	28	Rotor	Ball bearing
03	Terminal box	Cast iron	31a	Bearing	Ball bearing
05	Upper cover	Cast iron	31b	Bearing	
11	Motor body	Cast iron	33	Motor protector	Sic-Sic/Sic-Sic
13	Pump body	Cast iron	34	Mechanical seal	
14	Impeller	High chrome alloy	35	Oil seal	
16	Inlet plate	Ductile iron	47	Cable	
25	Strainer	Steel			

Specifications can be changed without notice

Solidpump Europe SIA
 Uriekstes iela 14a
 Rīga, LV-1005
 LATVIA
 Tel.: + 371 66968996
 E-mail: info@solidpump.com
 www.solidpump.com

Ver. 21.11.2022

SOLIDPUMP EUROPE SIA