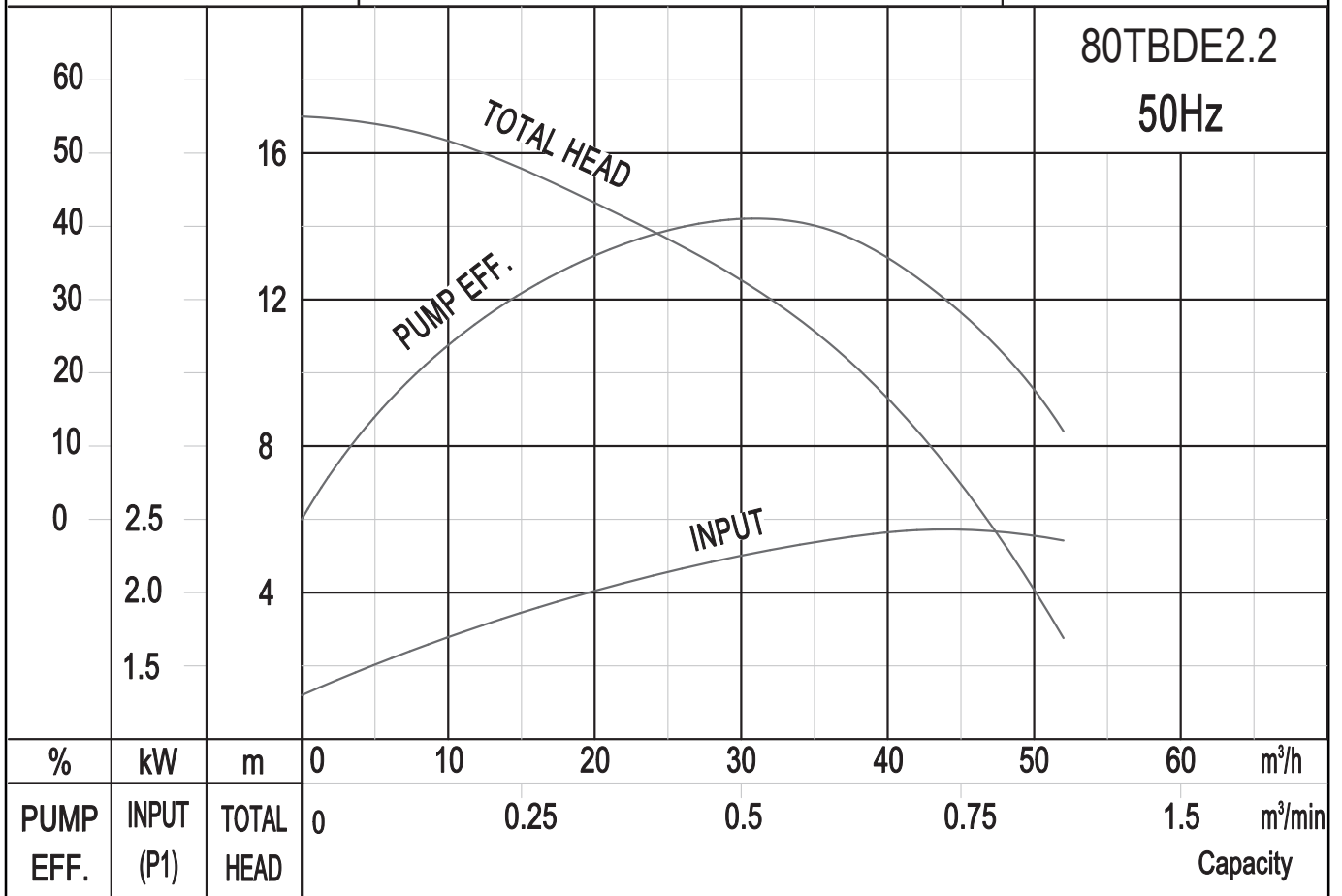


PUMP PERFORMANCE CURVES

TYPE: INTELLIGENT SUBMERSIBLE SLURRY PUMP MODEL: 80TBDE2.2 FREQUENCY: 50Hz

STANDARD SPECIFICATIONS

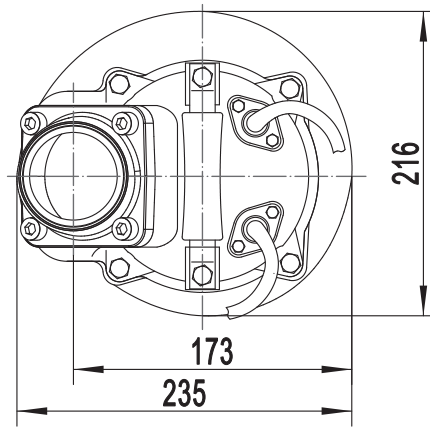
| | | |
|------------------|---------------------------------|---------------------------------|
| DISCHARGE BORE | 80 mm | |
| HEAD | Max: 17 m | Rated: 11 m |
| CAPACITY | Max: 0.88 m ³ /min | Rated: 0.60 m ³ /min |
| MOTOR OUTPUT | 2.2 kW | |
| PHASE x VOLTAGE | 3 Øx 400 V | |
| CURRENT | 5.0 A | |
| POLES/REVOLUTION | 2 P/ S.S.2850 min ⁻¹ | |
| STARTING METHOD | Direct-on-line start | |
| INSULATION CLASS | F | |



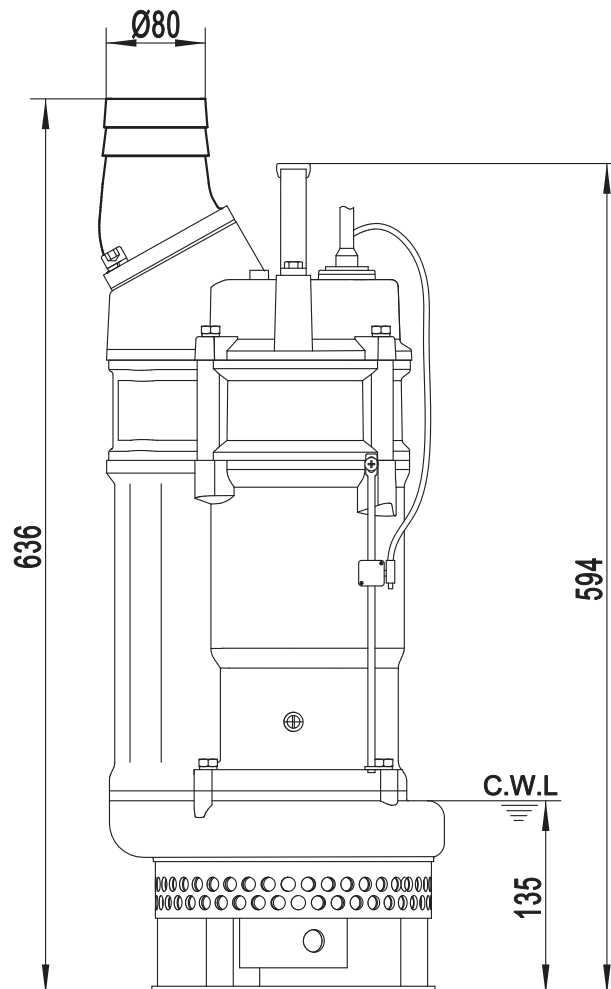
SOLIDPUMP EUROPE SIA

DIMENSION DRAWING
TYPE: **SUBMERSIBLE SLURRY PUMP**

MODEL: 80TBDE2.2



| Model | N.W(kg) |
|-----------|---------|
| 80TBDE2.2 | 46 |

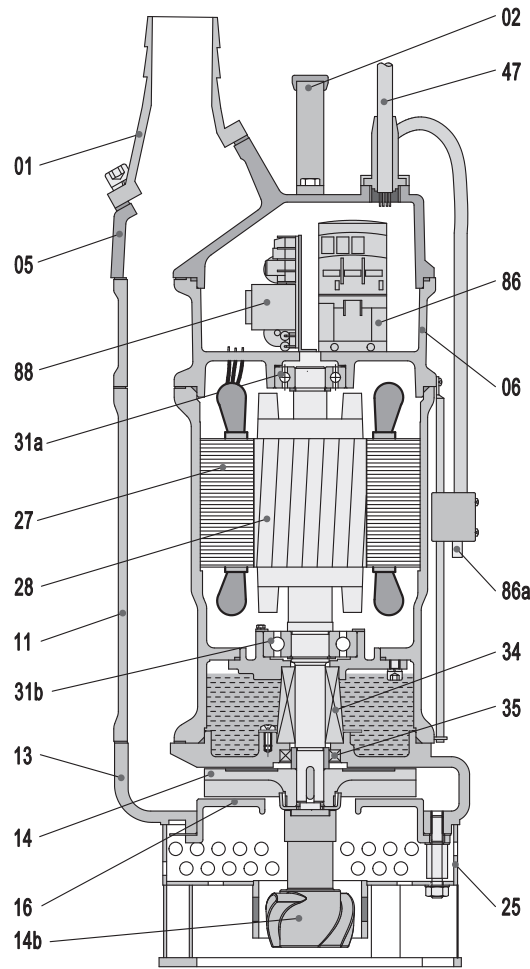


C.W.L:Continuous Running Water Level.

SOLIDPUMP EUROPE SIA

DIMENSION DRAWING
TYPE: SUBMERSIBLE SLURRY PUMP

MODEL: 80TBDE2.2



| Item No. | Part name | Material | Item No. | Part name | Material |
|----------|---------------|-------------------|----------|--------------------|--------------------|
| 01 | Hose coupling | Cast iron | 27 | Stator | |
| 02 | Handle | Rubber&steel | 28 | Rotor | Shaft:AISI420SS |
| 05 | Upper cover | Cast iron | 31a | Bearing | Ball bearing |
| 06 | Upper support | Cast iron | 31b | Bearing | Ball bearing |
| 11 | Motor body | Cast iron | 34 | Mechanical seal | Sic-Sic/Carbon-Sic |
| 13 | Pump body | Cast iron | 35 | Oil seal | |
| 14a | Impeller | High chrome alloy | 47 | Cable | |
| 14b | Agitator | High chrome alloy | 86 | AC Contactor | |
| 16 | Inlet plate | Ductile iron | 86a | Water level sensor | |
| 25 | Strainer | Steel | 88 | Controller block | |

Specifications can be changed without notice

Solidpump Europe SIA

Uriekstes iela 14a
 Rīga, LV-1005
 LATVIA

Tel.: + 371 66968996
 E-mail: info@solidpump.com
 www.solidpump.com

Ver. 21.11.2022

SOLIDPUMP EUROPE SIA