

# PUMP PERFORMANCE CURVES

TYPE: SUBMERSIBLE DRAINAGE PUMP

MODEL: 80TBZ1.5

FREQUENCY: 50Hz

## STANDARD SPECIFICATIONS

DISCHARGE BORE

80 mm

HEAD

Max: 14.5 m

Rated: 8 m

CAPACITY

Max: 0.67 m<sup>3</sup>/min

Rated: 0.50 m<sup>3</sup>/min

MOTOR OUTPUT

1.5 kW

PHASE x VOLTAGE

3 Øx 400 V

CURRENT

3.5 A

POLES/REVOLUTION

2 P/ S.S.2850 min<sup>-1</sup>

STARTING METHOD

Direct-on-line start

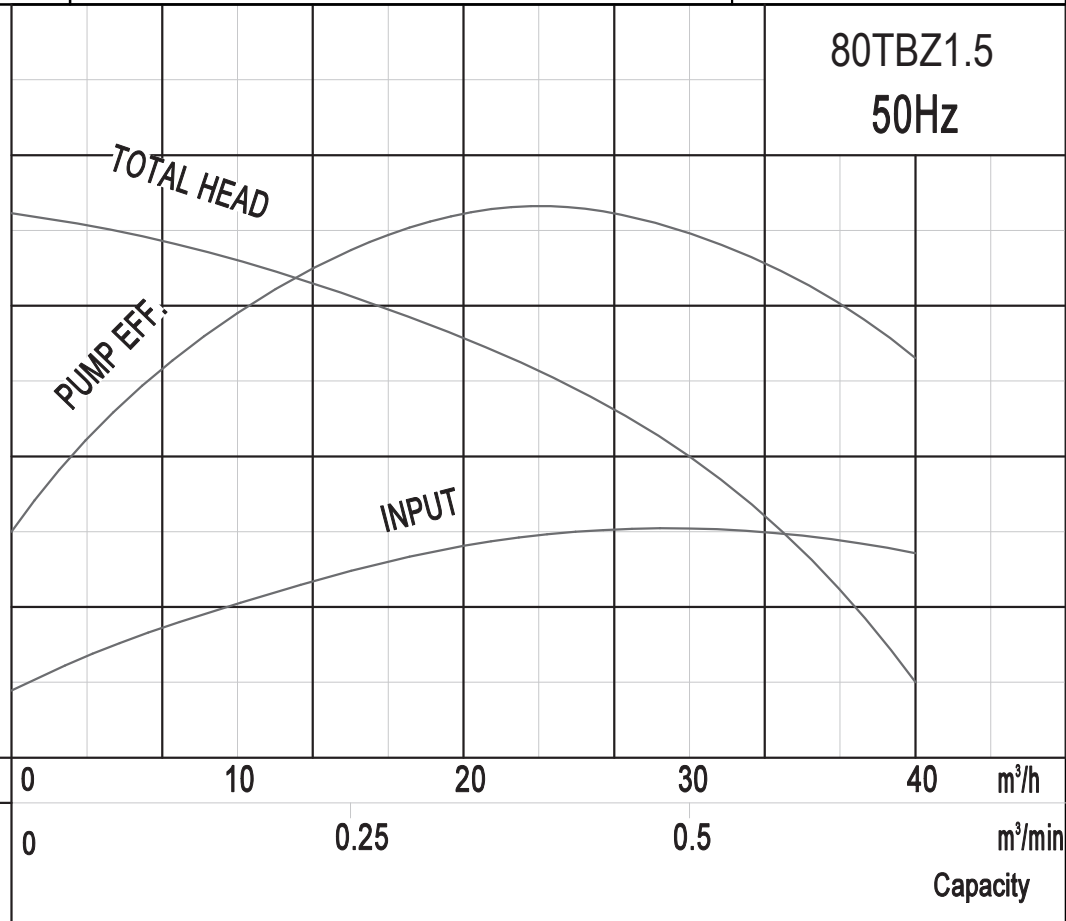
INSULATION CLASS

F

60  
50  
40  
30  
20  
10  
0

1.6  
1.3  
1.0

16  
12  
8  
4

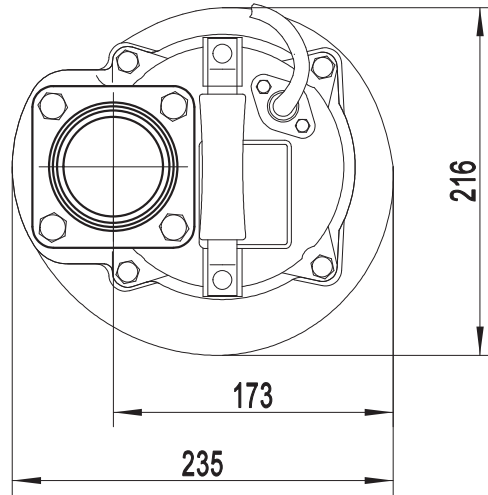


%	kW	m	0	10	20	30	40	m³/h
PUMP EFF.	INPUT (P1)	TOTAL HEAD	0	0.25	0.5			m³/min Capacity

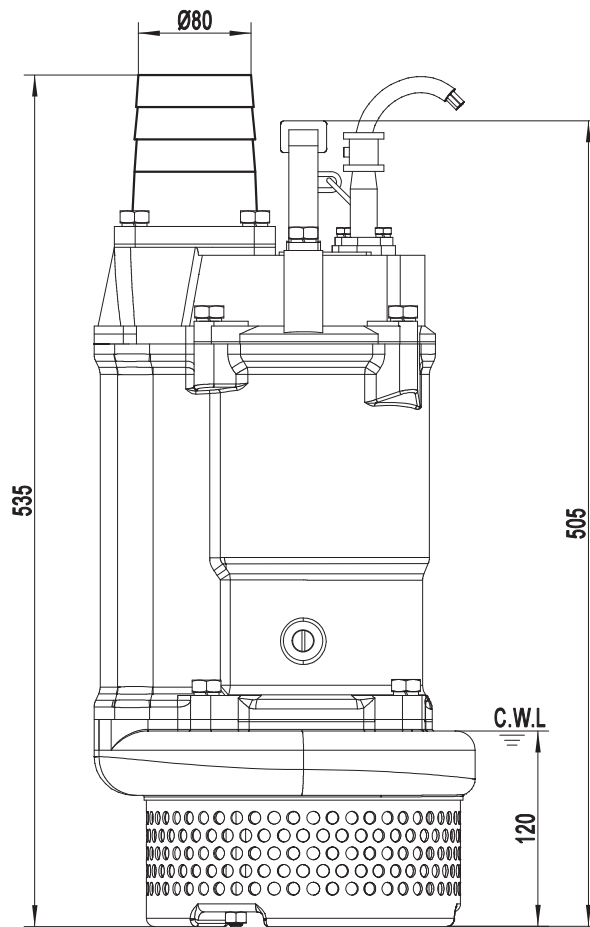
**SOLIDPUMP EUROPE SIA**

DIMENSION DRAWING  
TYPE: **SUBMERSIBLE DRAINAGE PUMP**

MODEL: 80TBZ1.5



Model	N.W(kg)
80TBZ1.5	36



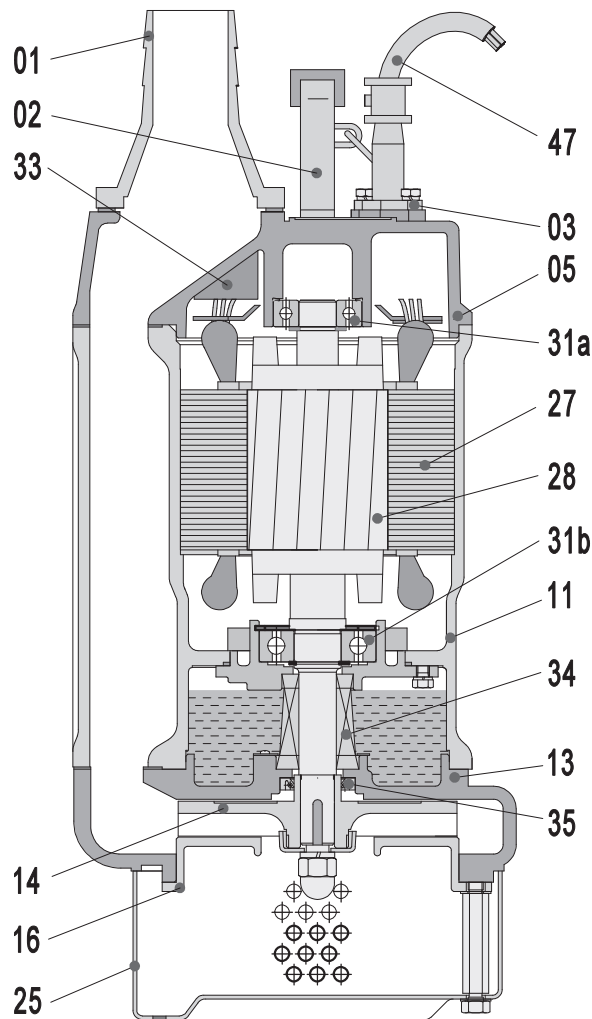
C.W.L.: Continuous Running Water Level.

**SOLIDPUMP EUROPE SIA**

DIMENSION DRAWING

TYPE: **SUBMERSIBLE DRAINAGE PUMP**

MODEL: 80TBZ1.5



Item No.	Part name	Material	Item No.	Part name	Material
01	Hose coupling	Cast iron	27	Stator	Shaft:AISI420SS
02	Handle	Rubber&steel	28	Rotor	Ball bearing
05	Upper cover	Cast iron	31a	Bearing	Ball bearing
11	Motor body	Cast iron	31b	Bearing	
13	Pump body	Cast iron	33	Motor protector	Sic-Sic/Carbon-Sic
14	Impeller	High chrome alloy	34	Mechanical seal	
16	Inlet plate	Ductile iron	35	Oil seal	
25	Strainer	Steel	47	Cable	

*Specifications can be changed without notice*

**Solidpump Europe SIA**

Uriekstes iela 14a  
Rīga, LV-1005  
LATVIA

Tel.: + 371 66968996  
E-mail: info@solidpump.com  
www.solidpump.com

Ver. 21.11.2022

**SOLIDPUMP EUROPE SIA**