

# PUMP PERFORMANCE CURVES

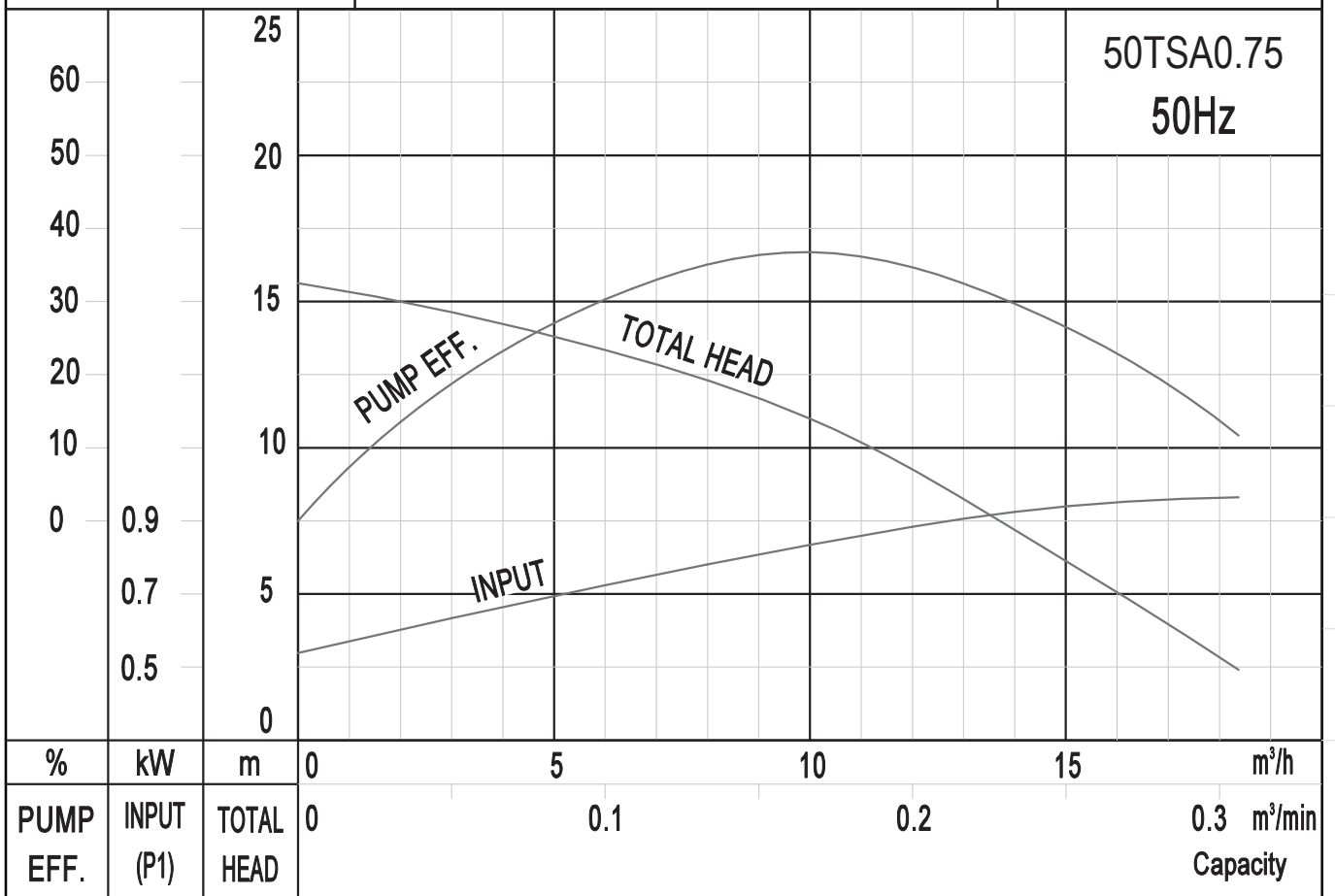
TYPE: SUBMERSIBLE DRAINAGE PUMP

MODEL: 50TSA0.75

FREQUENCY: 50Hz

## STANDARD SPECIFICATIONS

DISCHARGE BORE	50 mm	
HEAD	Max: 15 m	Rated: 11 m
CAPACITY	Max: 0.3 m <sup>3</sup> /min	Rated: 0.17 m <sup>3</sup> /min
MOTOR OUTPUT	0.75 kW	
PHASE x VOLTAGE	1 Øx 230 V	
CURRENT	5.0 A	
POLES/REVOLUTION	2 P/ S.S.2850 min <sup>-1</sup>	
STARTING METHOD	Direct-on-line start	
INSULATION CLASS	F	

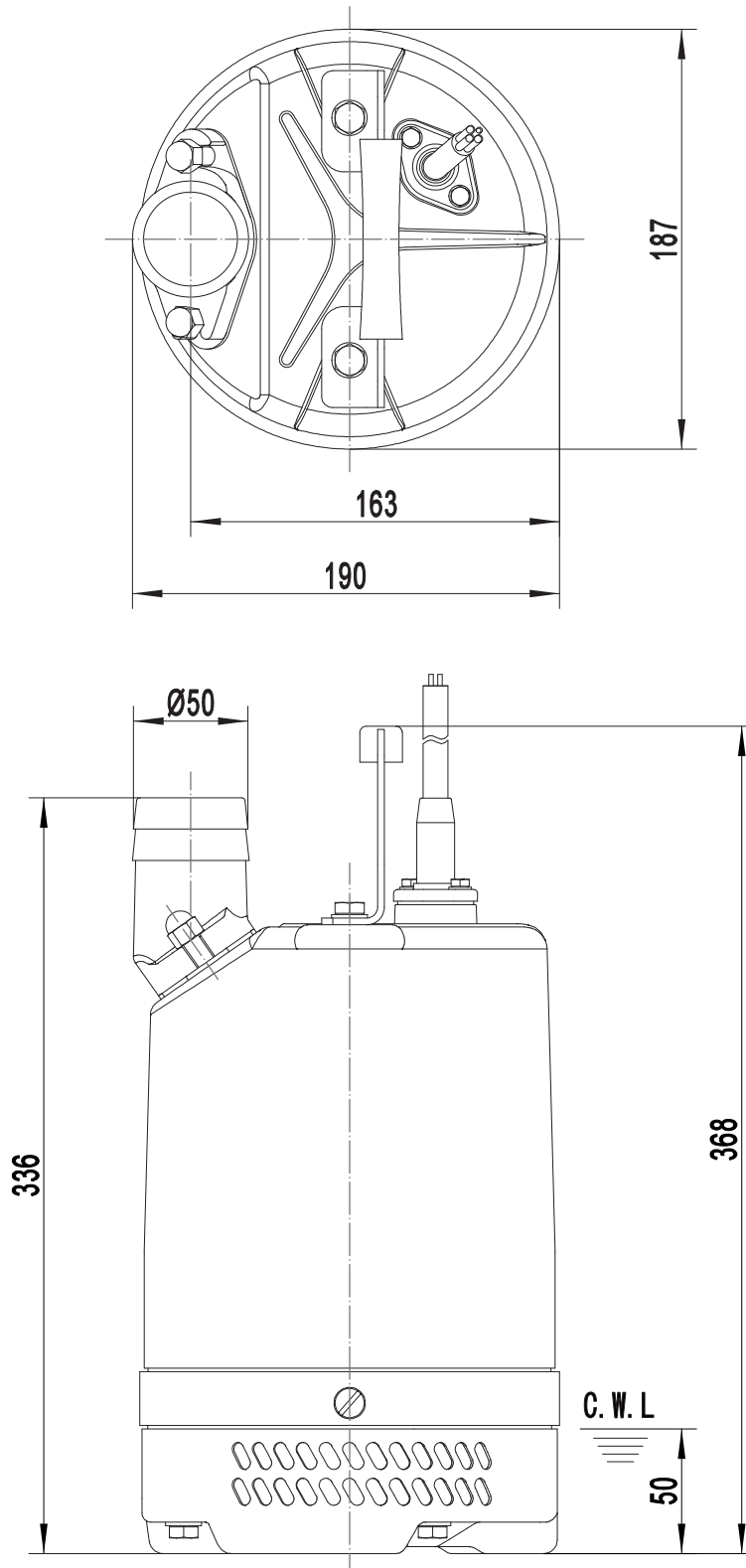


**SOLIDPUMP EUROPE SIA**

DIMENSION DRAWING  
TYPE: **SUBMERSIBLE DRAINAGE PUMP**

MODEL: 50TSA0.75

Model	N.W(kg)
50TSA0.75	13.8



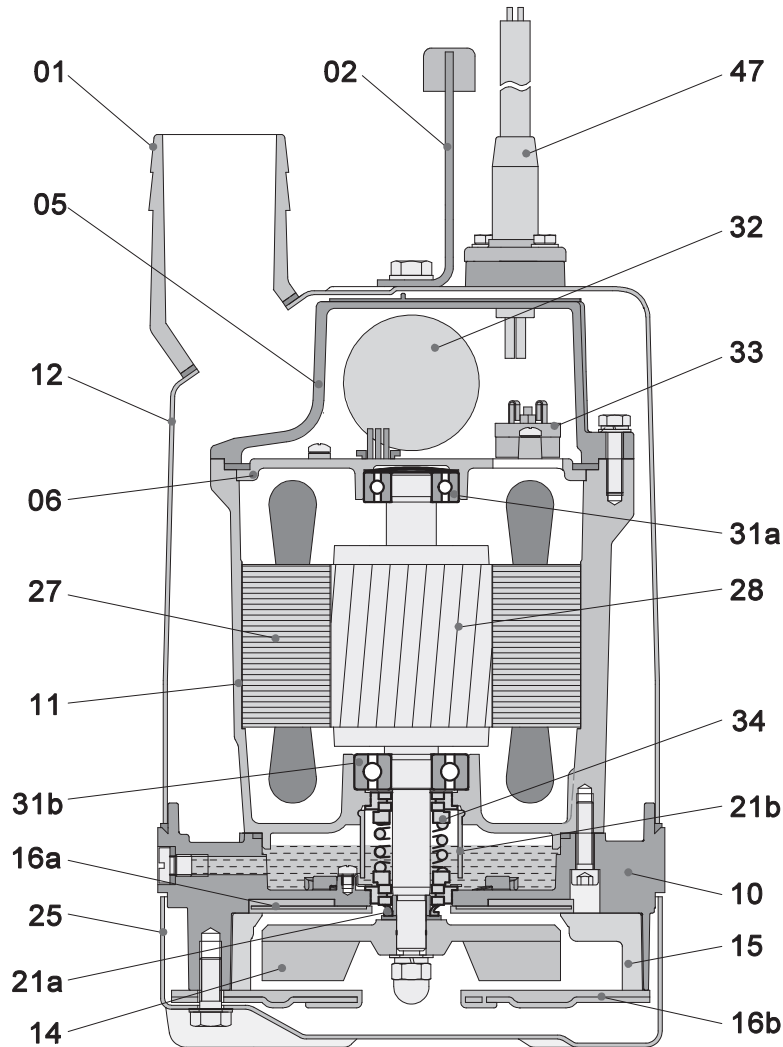
C.W.L:Continuous Running Water Level.

**SOLIDPUMP EUROPE SIA**

**DIMENSION DRAWING**

**TYPE: SUBMERSIBLE DRAINAGE PUMP**

**MODEL: 50TSA0.75**



Item No.	Part name	Material	Item No.	Part name	Material
01	Hose coupling	Aluminum die casting	21a	Oil riser	NBR
02	Handle	Rubber & steel	21b	Sand guard	LDPE
05	Upper cover	Aluminum die casting	25	Strainer	Steel
06	Up-Bearing house	Cast iron	27	Stator	
10	Seal house	Aluminum die casting	28	Rotor	Shaft:AISI420SS
11	Motor body	Aluminum die casting	31a	Bearing	Ball bearing
12	Outer casing	Steel	31b	Bearing	Ball bearing
14	Impeller	TPU & AISI201SS	32	Capacitor	
15	Diffuser	NBR	33	Motor protector	
16a	Plate	TPU & Steel	34	Mechanical seal	Ceramic-SiC/Carbon-Ceramic
16b	Intel plate	TPU & Steel	47	Cable	H07RN-F

*Specifications can be changed without notice*

**Solidpump Europe SIA**  
 Uriekstes iela 14a  
 Rīga, LV-1005  
 LATVIA  
 Tel.: + 371 66968996  
 E-mail: info@solidpump.com  
 www.solidpump.com

Ver. 21.11.2022

**SOLIDPUMP EUROPE SIA**