

PUMP PERFORMANCE CURVES

TYPE: SUBMERSIBLE SLURRY PUMP

MODEL: 80TBS4

FREQUENCY: 50Hz

STANDARD SPECIFICATIONS

DISCHARGE BORE

80 mm

HEAD

Max: 14.8 m

Rated: 10 m

CAPACITY

Max: 1.65 m³/min

Rated: 1.0 m³/min

MOTOR OUTPUT

4 kW

PHASE x VOLTAGE

3 Øx 380/400V

CURRENT

10.2 A

POLES/REVOLUTION

4 P/ S.S.1450 min⁻¹

STARTING METHOD

Direct-on-line start

INSULATION CLASS

F

60
50
40
30
20
10
0
5.0
4.0
3.0

16
12
8
4

TOTAL HEAD

PUMP EFF.

INPUT

80TBS4
50Hz

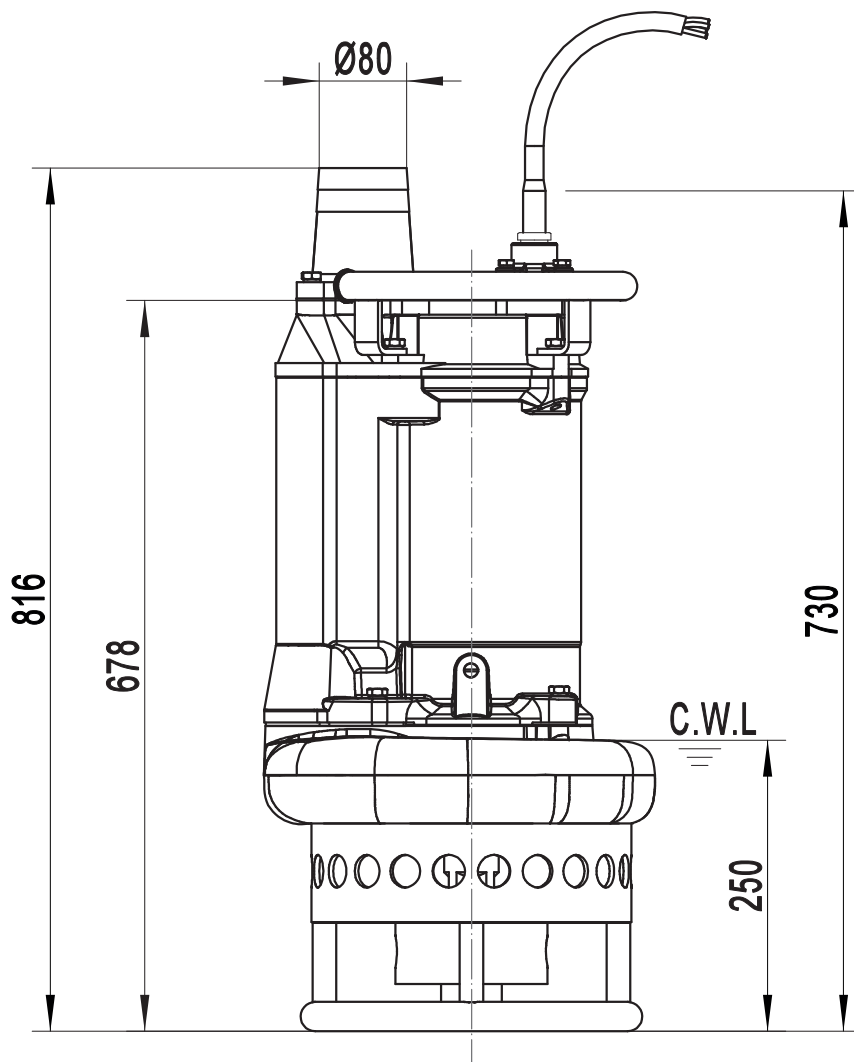
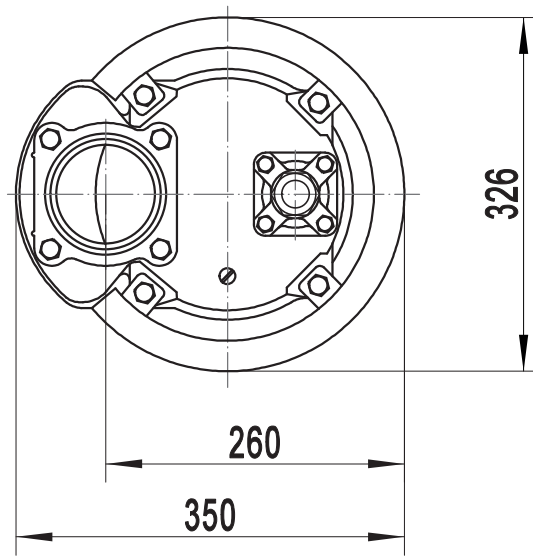
%	kW	m	0	20	40	60	80	100	120	m ³ /h
PUMP EFF.	INPUT (P1)	TOTAL HEAD	0	0.5	1.5	1.5	2.0			m ³ /min Capacity

SOLIDPUMP EUROPE SIA

DIMENSION DRAWING
TYPE: **SUBMERSIBLE SLURRY PUMP**

MODEL: 80TBS4

Model	N.W(kg)
80TBS4	108.5



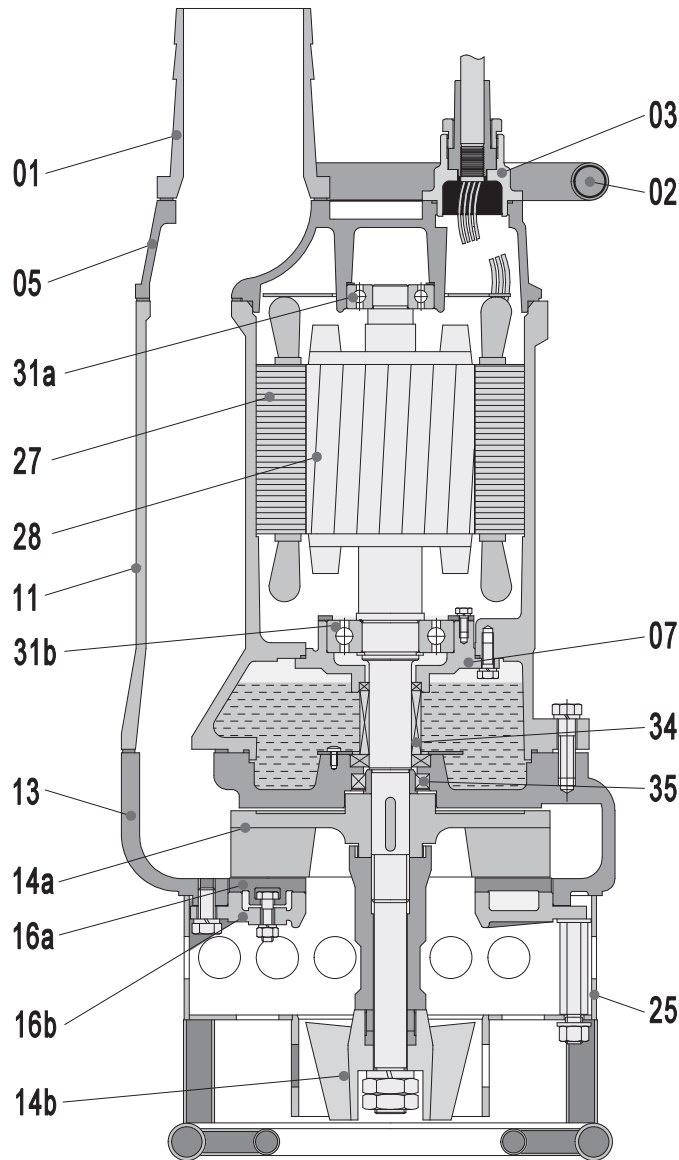
C.W.L:Continuous Running Water Level.

SOLIDPUMP EUROPE SIA

DIMENSION DRAWING

TYPE: **SUBMERSIBLE SLURRY PUMP**

MODEL: 80TBS4



Item No.	Part name	Material	Item No.	Part name	Material
01	Hose coupling	Cast iron	16b	Inlet plate	Cast iron
02	Handle	Steel	25	Strainer	Steel
05	Upper cover	Cast iron	27	Stator	
07	Bearing house	Cast iron	28	Rotor	Shaft:AISI420SS
11	Motor body	Cast iron	31a	Bearing	Ball bearing
13	Pump body	Cast iron	31b	Bearing	Ball bearing
14a	Impeller	High chrome alloy	34	Mechanical seal	Sic-Sic/Sic-Sic
14b	Agitator	High chrome alloy	35	Oil seal	
16a	Inlet plate	High chrome alloy	47	Cable	

Specifications can be changed without notice

Solidpump Europe SIA
 Uriekstes iela 14a
 Rīga, LV-1005
 LATVIA
 Tel.: + 371 66968996
 E-mail: info@solidpump.com
 www.solidpump.com

Ver. 21.11.2022

SOLIDPUMP EUROPE SIA