

# PUMP PERFORMANCE CURVES

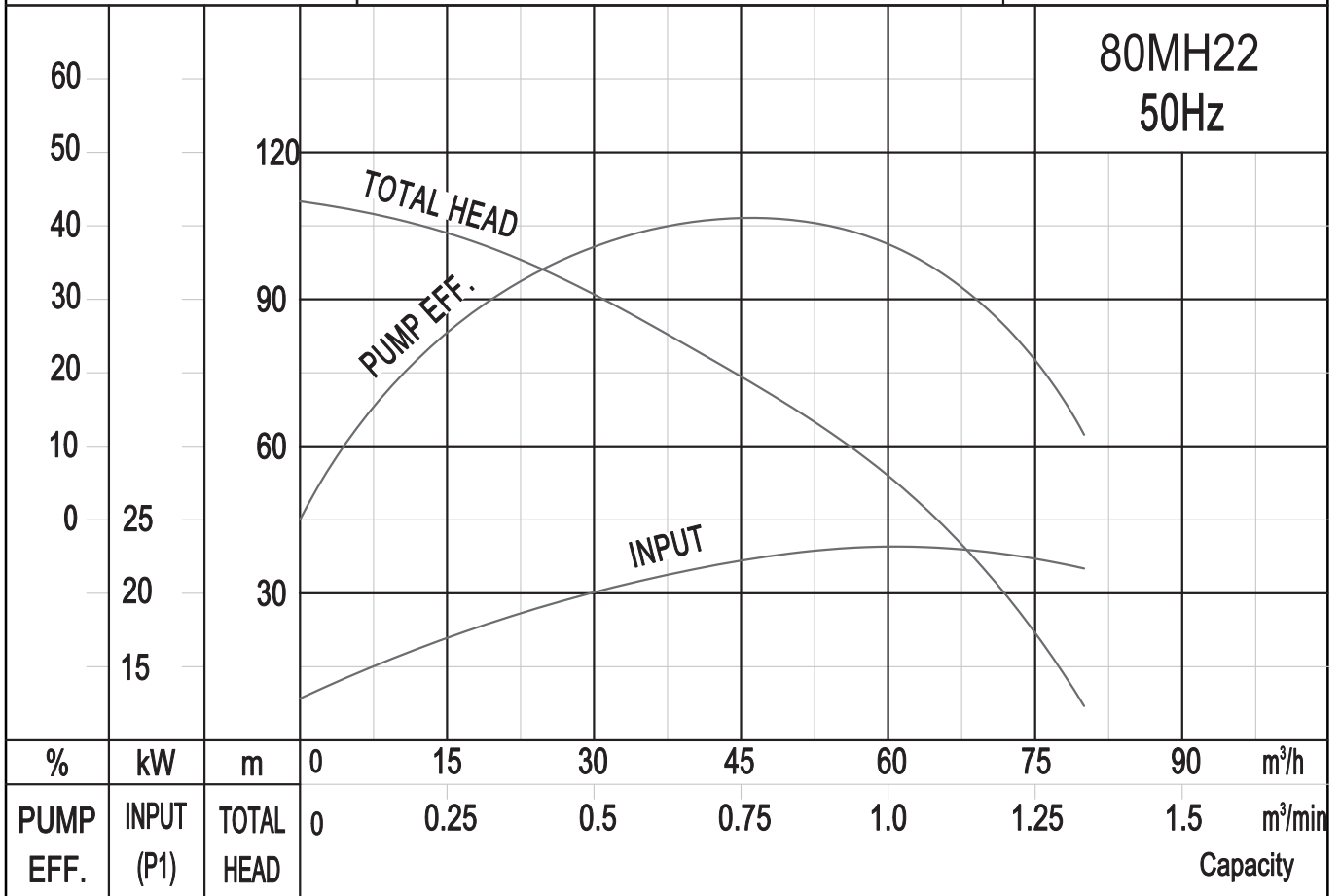
TYPE: SUBMERSIBLE DRAINAGE PUMP

MODEL: 80MH22

FREQUENCY: 50Hz

## STANDARD SPECIFICATIONS

DISCHARGE BORE	80 mm	
HEAD	Max: 110 m	Rated: 80 m
CAPACITY	Max: 1.35 m <sup>3</sup> /min	Rated: 0.67 m <sup>3</sup> /min
MOTOR OUTPUT	22 kW	
PHASE x VOLTAGE	3 Øx 380/400V	
CURRENT	41.5 A	
POLES/REVOLUTION	2 P/ S.S.2850 min <sup>-1</sup>	
STARTING METHOD	Star-Delta start	
INSULATION CLASS	F/H	

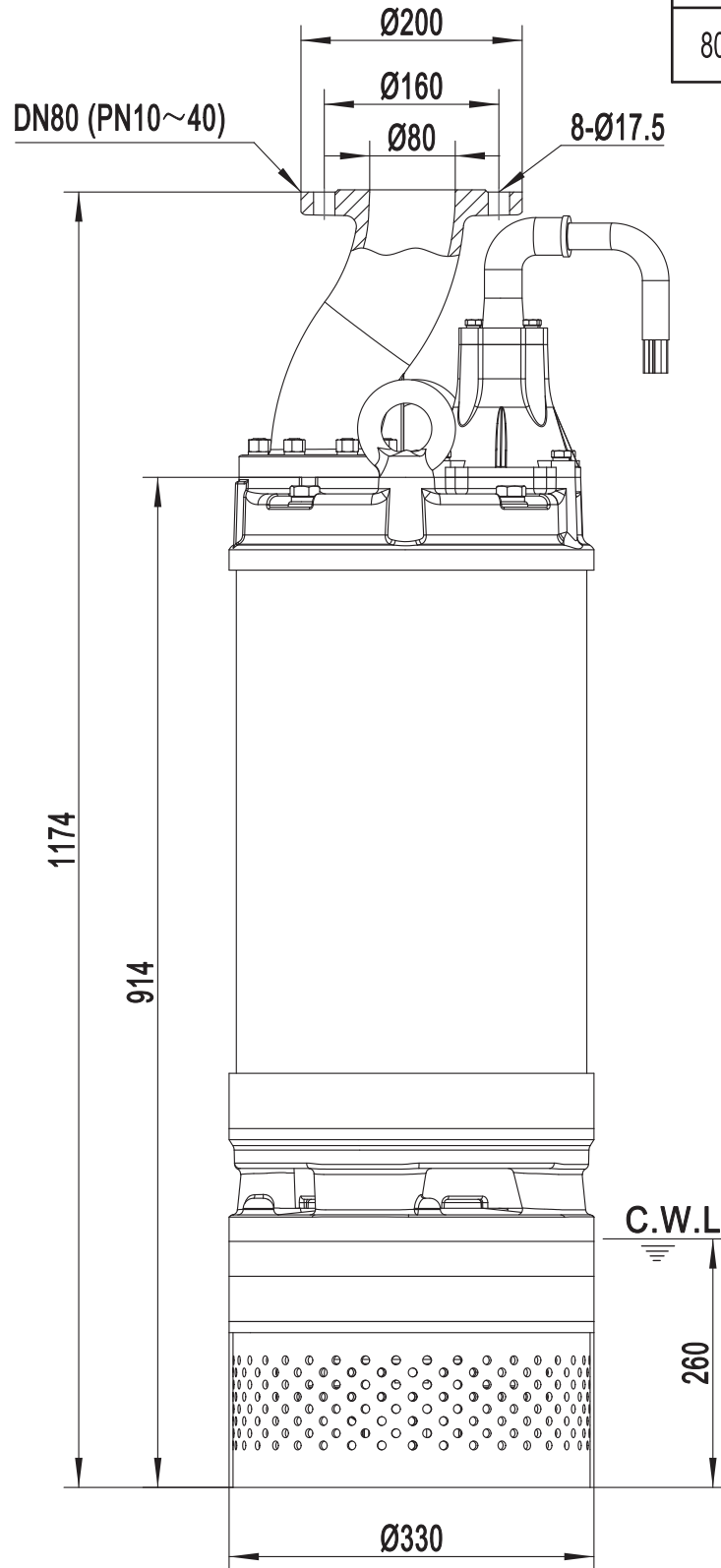


**SOLIDPUMP EUROPE SIA**

DIMENSION DRAWING  
TYPE: **SUBMERSIBLE DRAINAGE PUMP**

MODEL: 80MH22

Model	N.W(kg)
80MH22	315



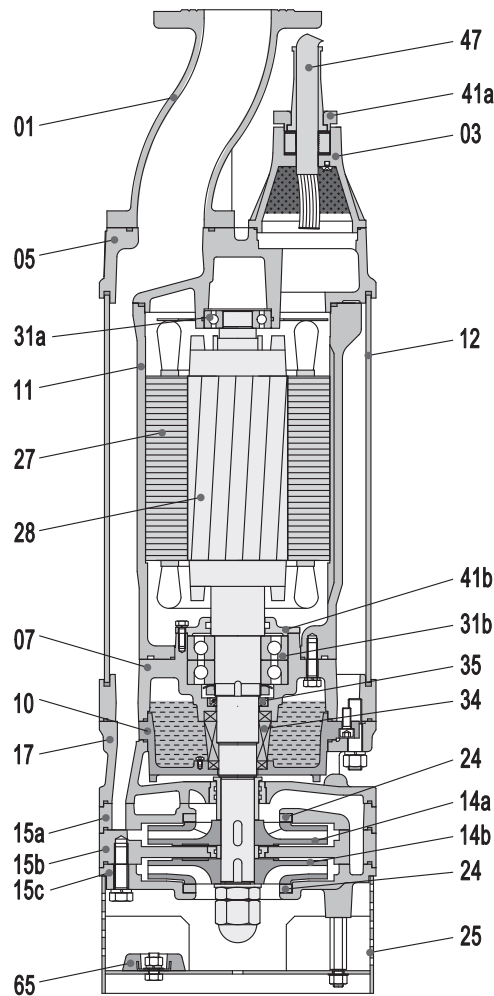
C.W.L:Continuous Running Water Level.

**SOLIDPUMP EUROPE SIA**

# DIMENSION DRAWING

TYPE: **SUBMERSIBLE DRAINAGE PUMP**

MODEL: 80MH22



tem No.	Part name	Material	Item No.	Part name	Material
01	Discharge Connection	Ductile iron	24	Neck ring	High chrome alloy
03	Terminal box	Cast iron	25	Strainer	
05	Upper cover	Cast iron	27	Stator	
07	Bearing house	Cast iron	28	Rotor	Shaft:AISI420SS
10	Seal bracket	Cast iron	31a	Bearing	Ball bearing
11	Motor body	Cast iron	31b	Bearing	Angular contact bearing
12	Outer casing	Steel	34	Mechanical seal	Tc-Sic/Sic-Sic
14a	Impeller	High chrome alloy	35	Oil seal	
14b	Impeller	High chrome alloy	41a	Cable fixing plate	Cast iron
15a	Diffuser & Casing	Ductile iron	41b	Bearing fixing plate	Cast iron
15b	Diffuser & Casing	Ductile iron	47	Cable	
15c	Diffuser & Casing	Ductile iron	65	Cathodic protection plate	AL
17	Suction interconnector	Ductile iron			

*Specifications can be changed without notice*

## Solidpump Europe SIA

Uriekstes iela 14a  
Rīga, LV-1005  
LATVIA

Tel.: + 371 66968996  
E-mail: info@solidpump.com  
www.solidpump.com

Ver. 15.11.2023

**SOLIDPUMP EUROPE SIA**