

PUMP PERFORMANCE CURVES

TYPE: SUBMERSIBLE DRAINAGE PUMP

MODEL: 100TSS7.5

FREQUENCY: 50Hz

STANDARD SPECIFICATIONS

DISCHARGE BORE

100 mm

HEAD

Max: 41 m

Rated: 26 m

CAPACITY

Max: 1.47 m³/min

Rated: 1.0 m³/min

MOTOR OUTPUT

7.5 kW

PHASE x VOLTAGE

3 Øx 400 V

CURRENT

15 A

POLES/REVOLUTION

2 P/ S.S.2850 min⁻¹

STARTING METHOD

Direct-on-line start

INSULATION CLASS

F

60
50
40
30
20
10
0
8.0
6.0
4.0

TOTAL HEAD

PUMPEFF.

INPUT

100TSS7.5
50Hz

%

kW

m

0

15

30

45

60

75

90

m³/h

PUMP
EFF.

INPUT
(P1)

TOTAL
HEAD

0

0.5

1.0

1.5

m³/min

Capacity

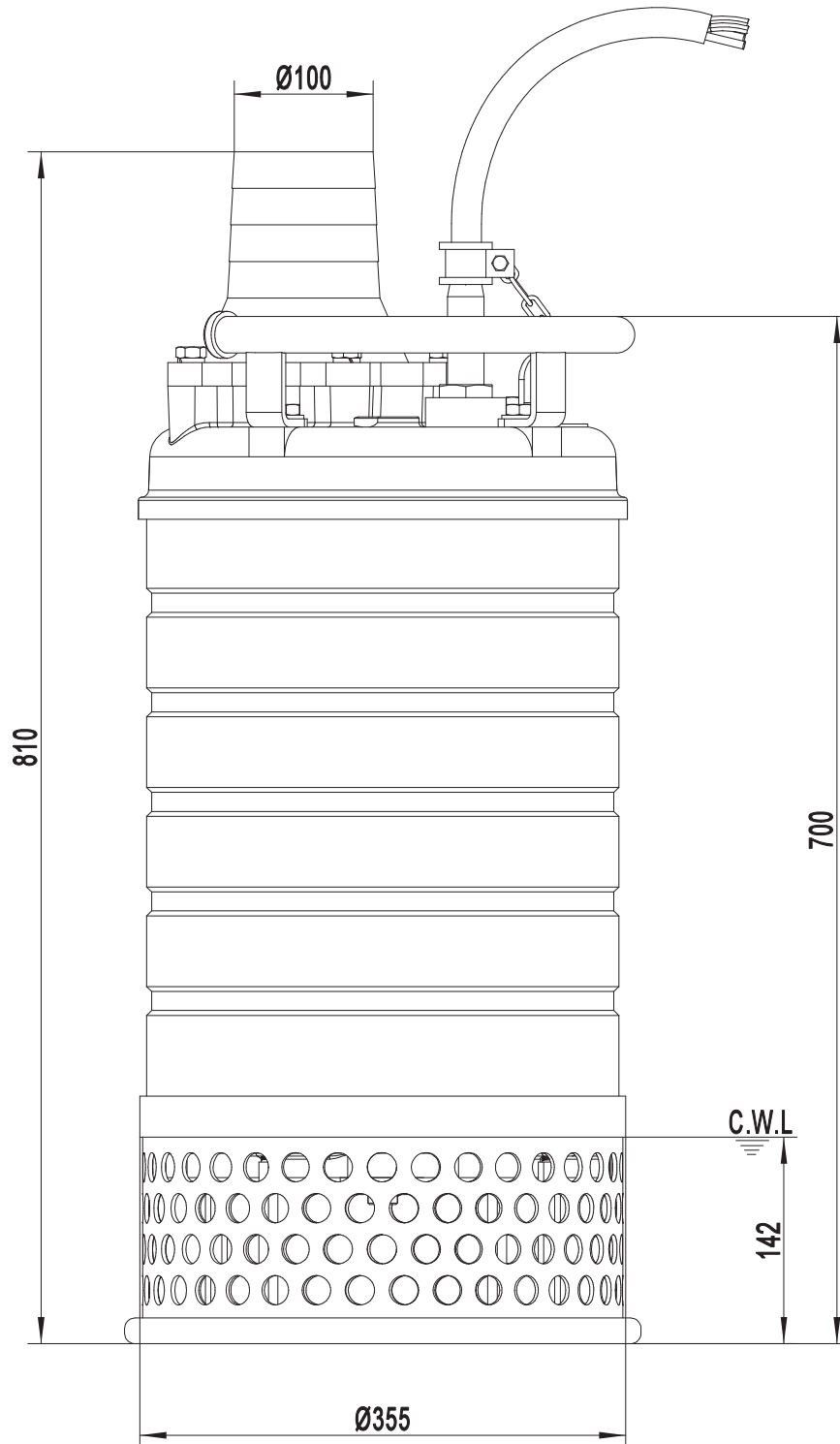
SOLIDPUMP EUROPE SIA

DIMENSION DRAWING

TYPE: **SUBMERSIBLE DRAINAGE PUMP**

MODEL: 100TSS7.5

| Model | N.W(kg) |
|-----------|---------|
| 100TSS7.5 | 108 |



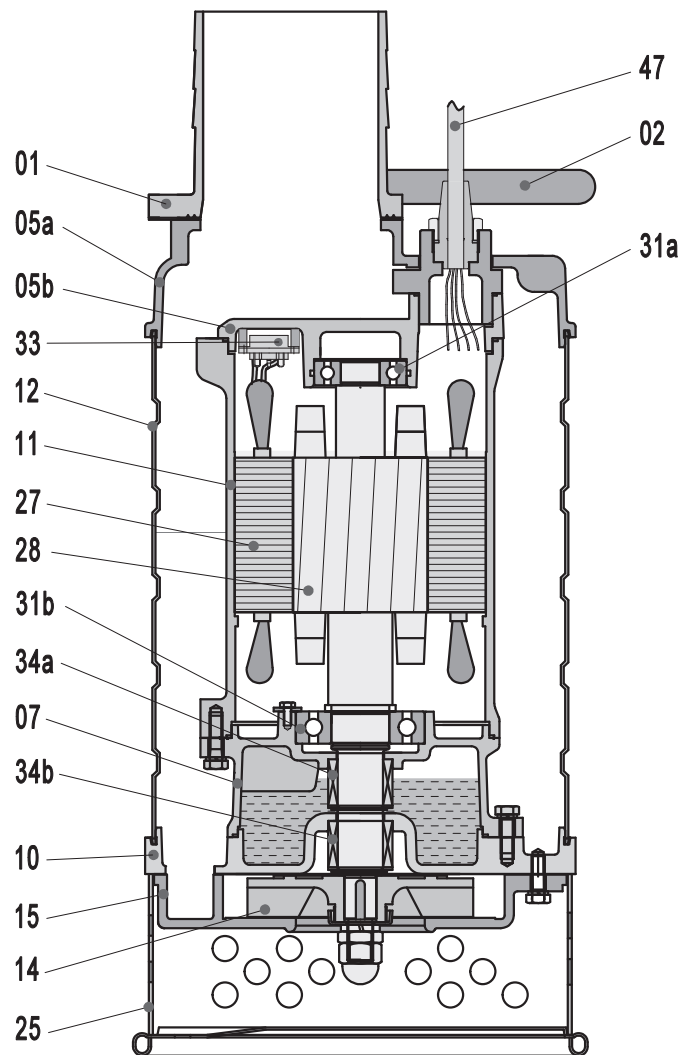
C.W.L.:Continuous Running Water Level.

SOLIDPUMP EUROPE SIA

DIMENSION DRAWING

TYPE: **SUBMERSIBLE DRAINAGE PUMP**

MODEL: 100TSS7.5



| Item No. | Part name | Material | Item No. | Part name | Material |
|----------|---------------|-----------------|----------|-----------------|-----------------|
| 01 | Hose coupling | AISI304SS | 25 | Strainer | AISI304SS |
| 02 | Handle | AISI304SS | 27 | Stator | |
| 05a | Upper cover | AISI304SS | 28 | Rotor | Shaft:AISI420SS |
| 05b | Upper cover | AISI304SS | 31a | Bearing | Ball bearing |
| 07 | Bearing house | AISI304SS | 31b | Bearing | Ball bearing |
| 10 | Seal bracket | AISI304SS | 33 | Motor protector | |
| 11 | Motor casing | Stainless steel | 34a | Mechanical seal | |
| 12 | Outer casing | AISI304SS | 34b | Mechanical seal | |
| 14 | Impeller | AISI304SS | 47 | Cable | H07RN-F |
| 15 | Diffuser | AISI304SS | | | |

Specifications can be changed without notice

Solidpump Europe SIA

Uriekstes iela 14a
Rīga, LV-1005
LATVIA

Tel.: + 371 66968996
E-mail: info@solidpump.com
www.solidpump.com

Ver. 21.11.2022

SOLIDPUMP EUROPE SIA