

PUMP PERFORMANCE CURVES

TYPE: SUBMERSIBLE DRAINAGE PUMP

MODEL:100TSS3.7

FREQUENCY: 50Hz

STANDARD SPECIFICATIONS

DISCHARGE BORE

100 mm

HEAD

Max: 18 m

Rated: 11.5 m

CAPACITY

Max: 1.58 m³/min

Rated: 1.0 m³/min

MOTOR OUTPUT

3.7 kW

PHASE x VOLTAGE

3 Øx 400 V

CURRENT

7.7 A

POLES/REVOLUTION

2 P/ S.S.2850 min⁻¹

STARTING METHOD

Direct-on-line start

INSULATION CLASS

F

60
50
40
30
20
10
0
4.0
3.0
2.0

TOTAL HEAD

PUMPE EFF.

INPUT

100TSS3.7
50Hz

% kW m 0 15 30 45 60 75 90 m³/h

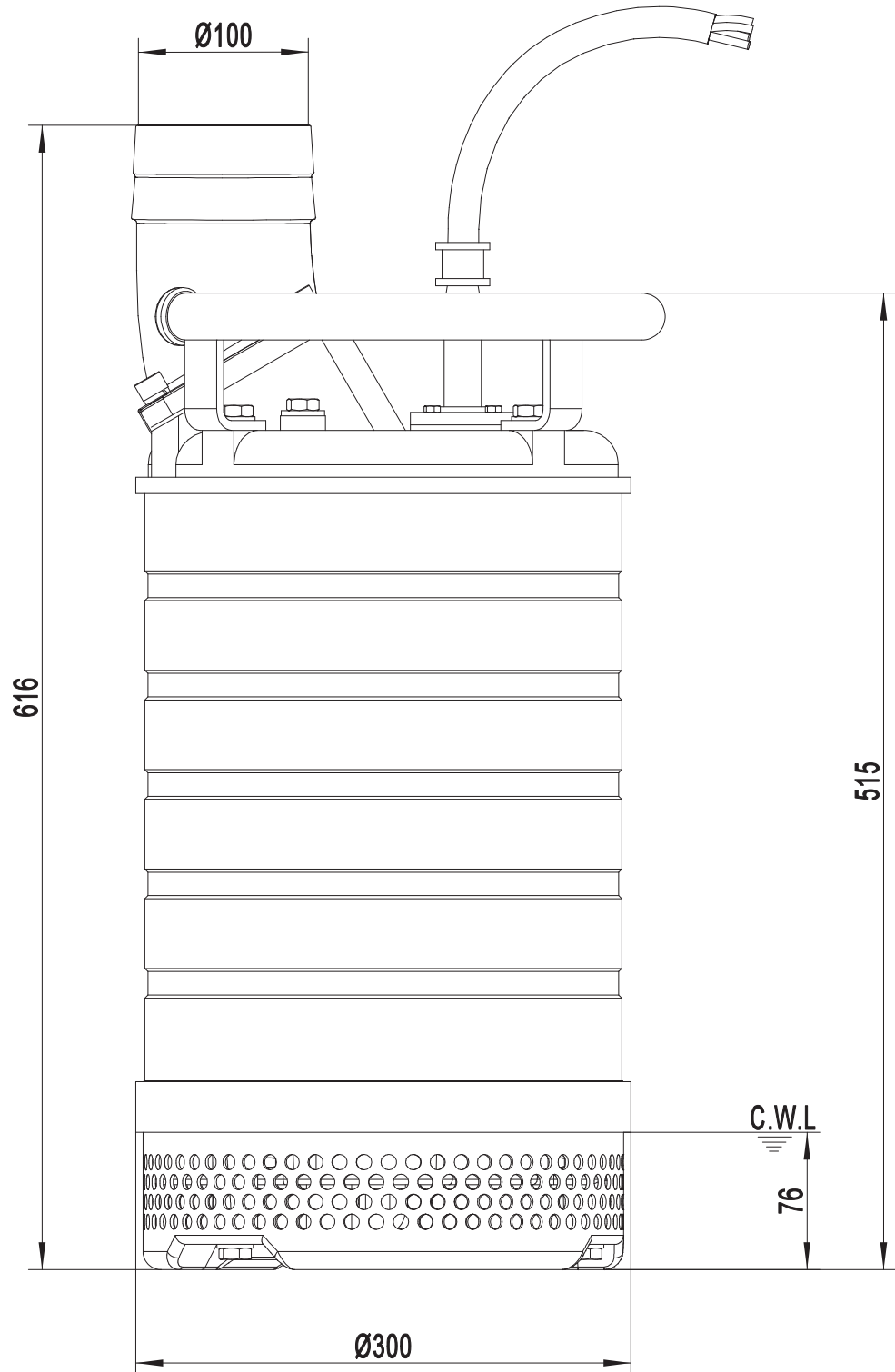
PUMP INPUT TOTAL
EFF. (P1) HEAD 0 0.5 1.0 1.5 m³/min
Capacity

SOLIDPUMP EUROPE SIA

DIMENSION DRAWING
TYPE: **SUBMERSIBLE DRAINAGE PUMP**

MODEL: 100TSS3.7

Model	N.W(kg)
100TSS3.7	59



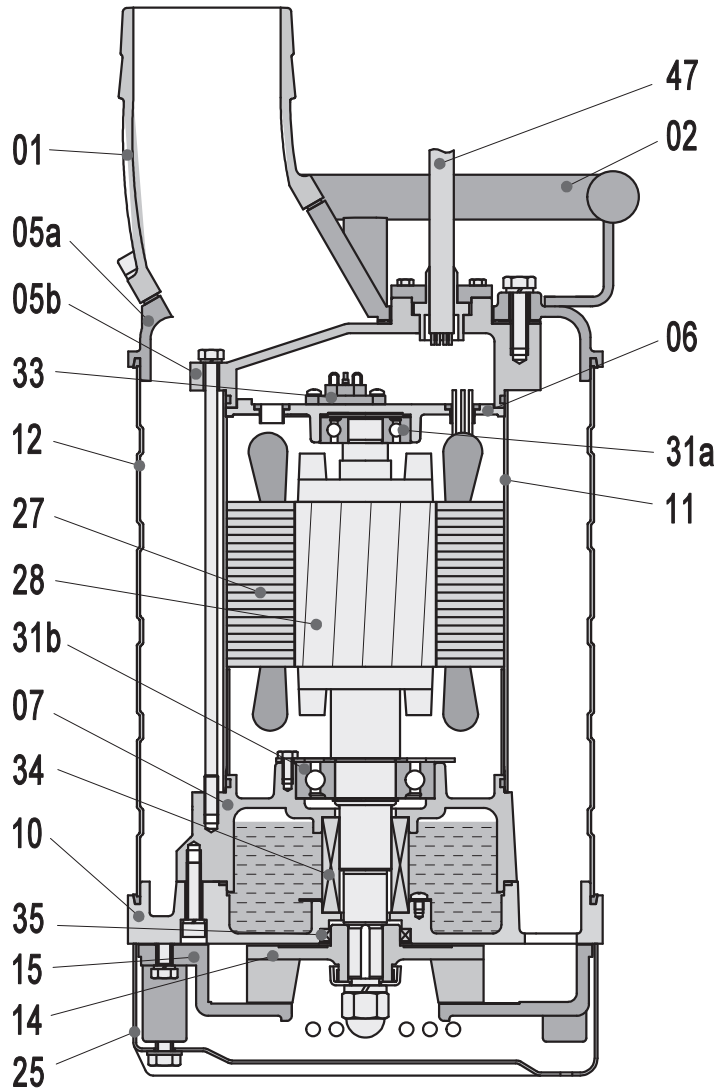
C.W.L.:Continuous Running Water Level.

SOLIDPUMP EUROPE SIA

DIMENSION DRAWING

TYPE: SUBMERSIBLE DRAINAGE PUMP

MODEL: 100TSS3.7



Item No.	Part name	Material	Item No.	Part name	Material
01	Hose coupling	AISI304SS	15	Diffuser	AISI304SS
02	Handle	AISI304SS	25	Strainer	AISI304SS
05a	Upper cover	AISI304SS	27	Stator	
05b	Upper cover	AISI304SS	28	Rotor	Shaft:AISI420SS
06	Up-Bearing house	Cast iron	31a	Bearing	Ball bearing
07	Bearing house	AISI304SS	31b	Bearing	Ball bearing
10	Seal bracket	AISI304SS	33	Motor protector	
11	Motor casing	Stainless steel	34	Mechanical seal	Sic-Sic/Carbon-Sic
12	Outer casing	AISI304SS	35	Oil seal	
14	Impeller	AISI304SS	47	Cable	H07RN-F

Specifications can be changed without notice

Solidpump Europe SIA

Uriekstes iela 14a
Rīga, LV-1005
LATVIA

Tel.: + 371 66968996
E-mail: info@solidpump.com
www.solidpump.com

Ver. 21.11.2022

SOLIDPUMP EUROPE SIA