

PUMP PERFORMANCE CURVES

TYPE: SUBMERSIBLE DRAINAGE PUMP

MODEL: 150TBZ15

FREQUENCY: 50Hz

STANDARD SPECIFICATIONS

DISCHARGE BORE

150 mm

HEAD

Max: 40 m

Rated: 30 m

CAPACITY

Max: 2.60 m³/min

Rated: 1.70 m³/min

MOTOR OUTPUT

15 kW

PHASE x VOLTAGE

3 Øx 400 V

CURRENT

29.5 A

POLES/REVOLUTION

2 P/ S.S.2850 min⁻¹

STARTING METHOD

Direct-on-line start

INSULATION CLASS

F

60
50
40
30
20
10
0
15
11
7

TOTAL HEAD

PUMP EFF.

INPUT

150TBZ15
50Hz

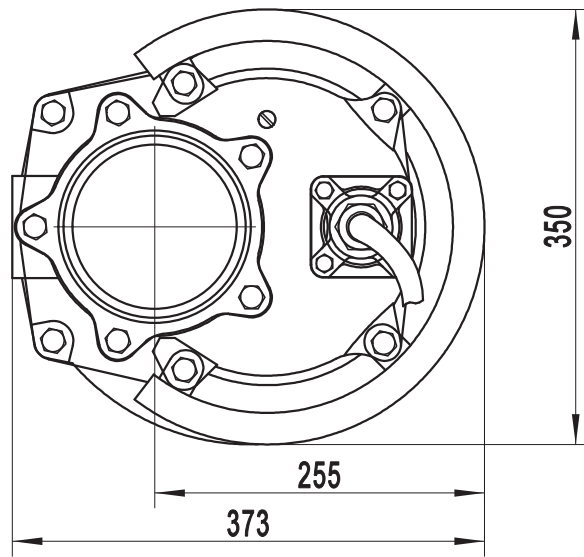
% kW m 0 25 50 75 100 125 150 m³/h

PUMP INPUT TOTAL
EFF. (P1) HEAD 0 1.25 2.5 m³/min
Capacity

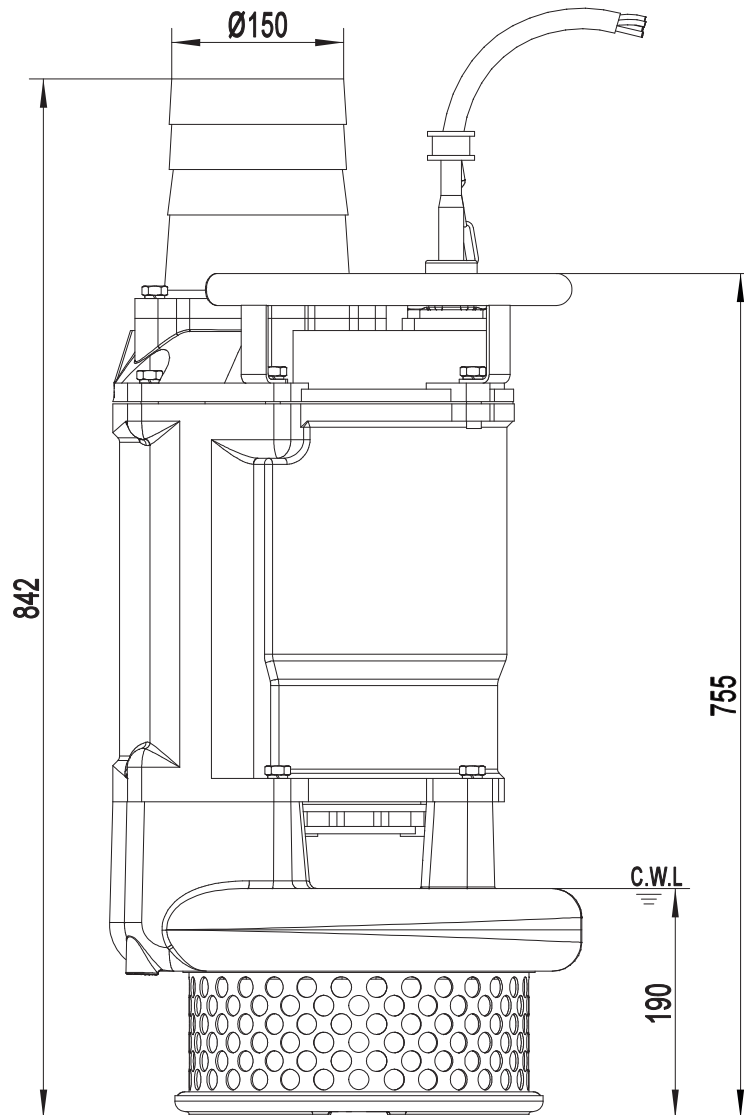
SOLIDPUMP EUROPE SIA

DIMENSION DRAWING
TYPE: **SUBMERSIBLE DRAINAGE PUMP**

MODEL: 150TBZ15



Model	N.W(kg)
150TBZ15	146



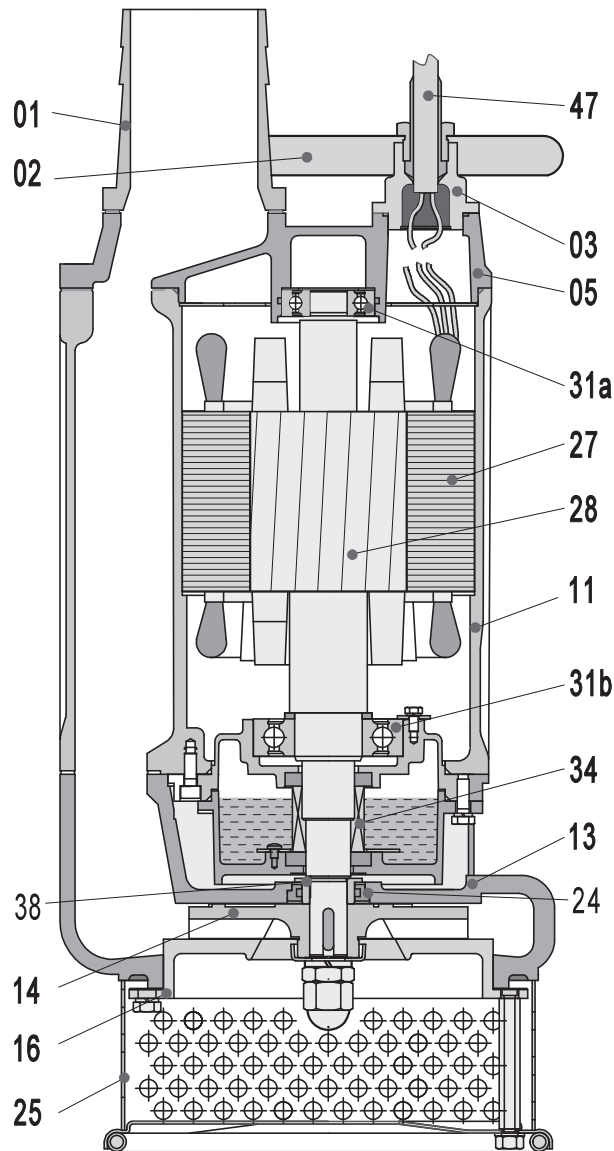
C.W.L.:Continuous Running Water Level.

SOLIDPUMP EUROPE SIA

DIMENSION DRAWING

TYPE: **SUBMERSIBLE DRAINAGE PUMP**

MODEL: 150TBZ15



Item No.	Part name	Material	Item No.	Part name	Material
01	Hose coupling	Cast iron	25	Strainer	Steel
02	Handle	Steel	27	Stator	Shaft:AISI420SS
03	Terminal box	Cast iron	28	Rotor	Ball bearing
05	Upper cover	Cast iron	31a	Bearing	Ball bearing
11	Motor body	Cast iron	31b	Bearing	
13	Pump body	Cast iron	34	Mechanical seal	Sic-Sic/Sic-Sic
14	Impeller	High chrome alloy	38	Shaft sleeve	AISI420SS
16	Inlet plate	Ductile iron	47	Cable	
24	Neck ring	AISI304SS			

Specifications can be changed without notice

Solidpump Europe SIA
 Uriekstes iela 14a
 Rīga, LV-1005
 LATVIA
 Tel.: + 371 66968996
 E-mail: info@solidpump.com
 www.solidpump.com

Ver. 21.11.2022

SOLIDPUMP EUROPE SIA