

PUMP PERFORMANCE CURVES

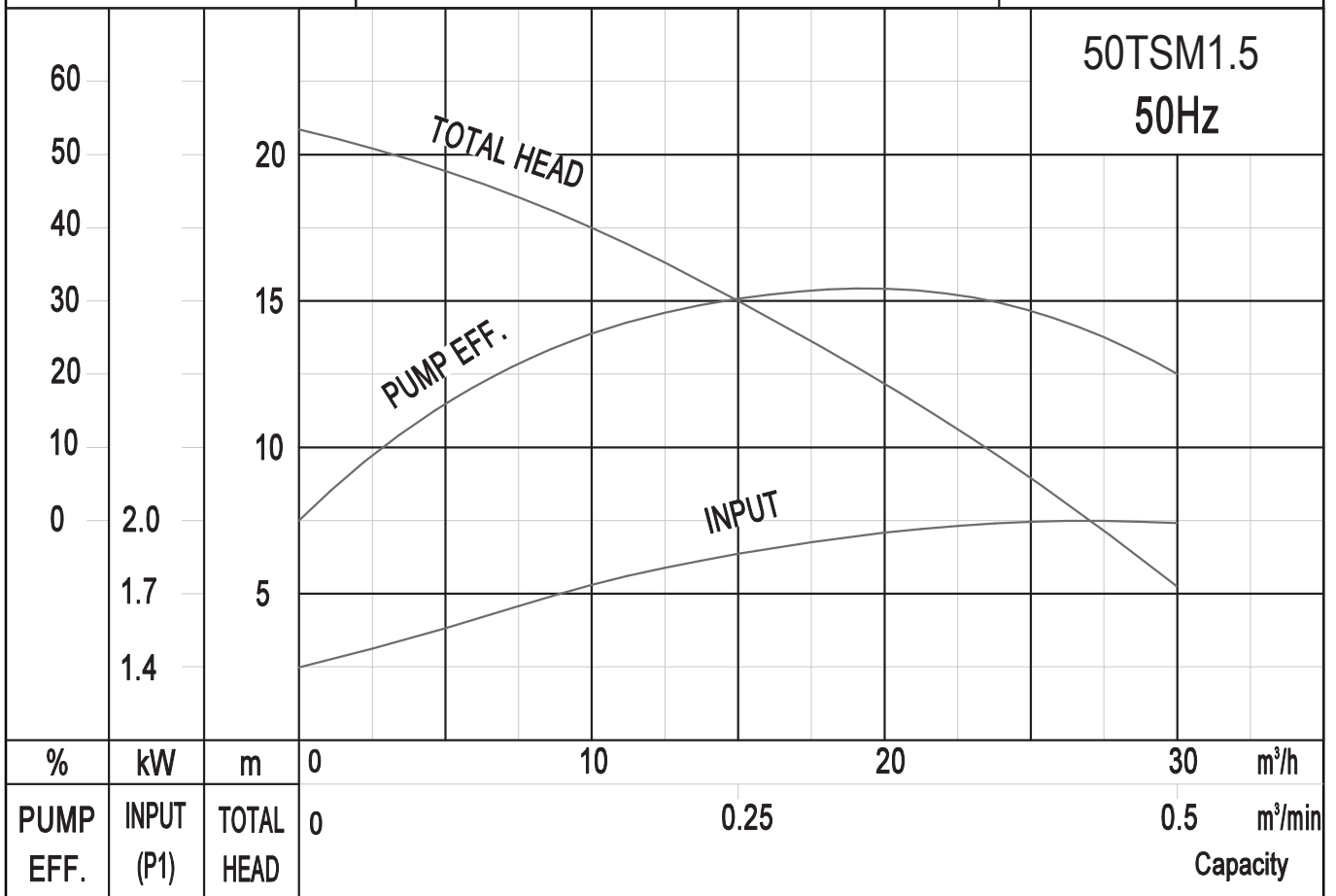
TYPE: SUBMERSIBLE DRAINAGE PUMP

MODEL: 50TSM1.5

FREQUENCY: 50Hz

STANDARD SPECIFICATIONS

| | | |
|------------------|---------------------------------|---------------------------------|
| DISCHARGE BORE | 50 mm | |
| HEAD | Max: 21 m | Rated: 15 m |
| CAPACITY | Max: 0.5 m ³ /min | Rated: 0.25 m ³ /min |
| MOTOR OUTPUT | 1.5 kW | |
| PHASE x VOLTAGE | 1 Øx 220 V | |
| CURRENT | 10 A | |
| POLES/REVOLUTION | 2 P/ S.S.2850 min ⁻¹ | |
| STARTING METHOD | Direct-on-line start | |
| INSULATION CLASS | F | |



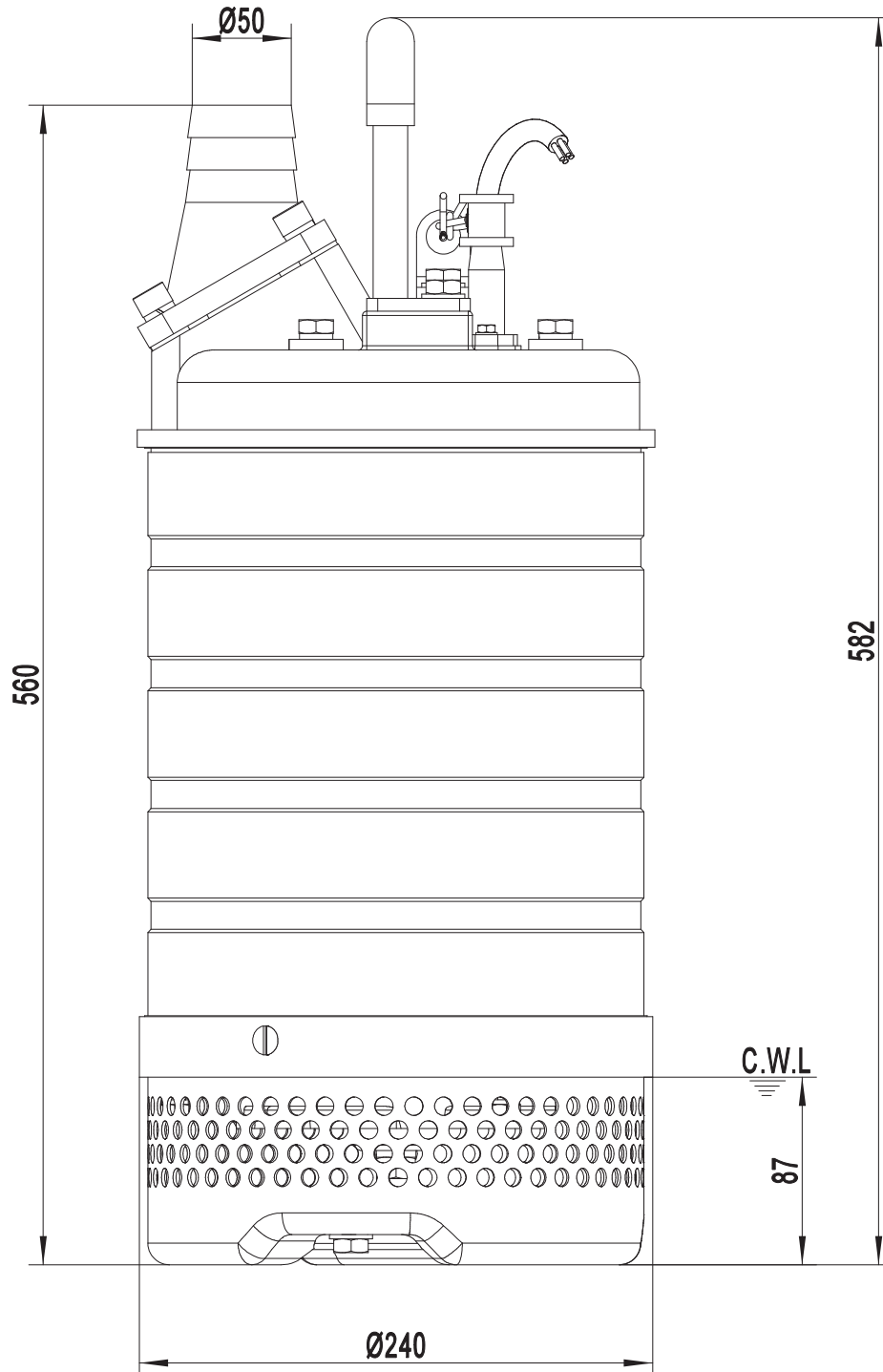
SOLIDPUMP EUROPE SIA

DIMENSION DRAWING

TYPE: **SUBMERSIBLE DRAINAGE PUMP**

MODEL: 50TSM1.5

| Model | N.W(kg) |
|----------|---------|
| 50TSM1.5 | 37 |



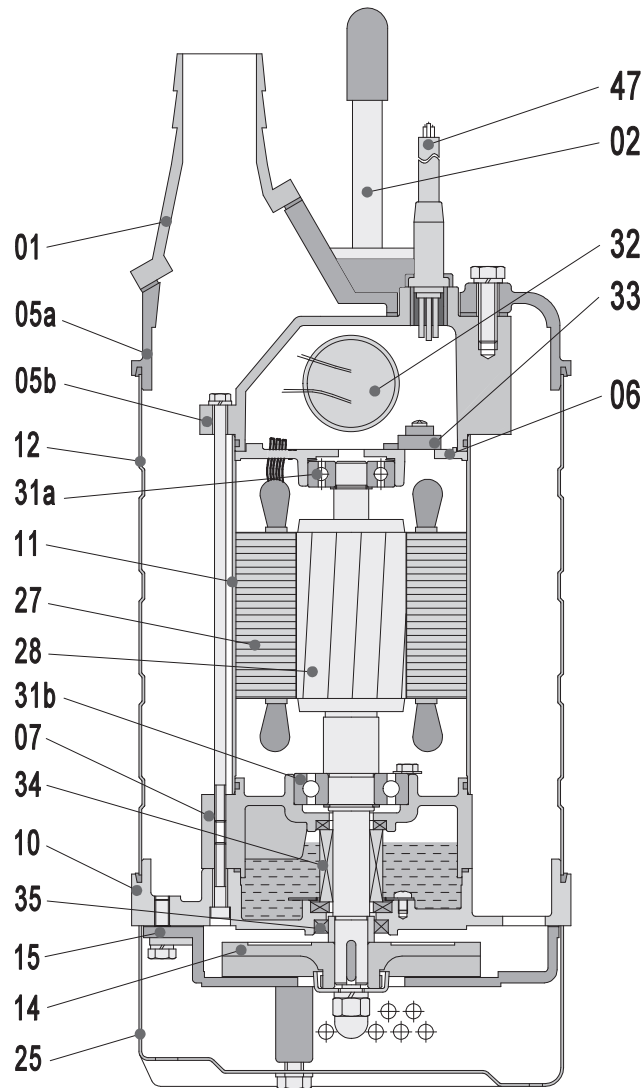
C.W.L: Continuous Running Water Level.

SOLIDPUMP EUROPE SIA

DIMENSION DRAWING

TYPE: SUBMERSIBLE DRAINAGE PUMP

MODEL: 50TSM1.5



※Optional:AISI304SS

| Item No. | Part name | Material | Item No. | Part name | Material |
|----------|------------------|-------------------|----------|-----------------|---------------------|
| 01※ | Hose coupling | Cast iron | 25※ | Strainer | Steel |
| 02※ | Handle | Rubber&steel | 27 | Stator | |
| 05a※ | Upper cover | Cast iron | 28 | Rotor | Shaft:AISI420SS |
| 05b※ | Upper cover | Cast iron | 31a | Bearing | Ball bearing |
| 06 | Up-Bearing house | Cast iron | 31b | Bearing | Ball bearing |
| 07※ | Bearing house | Cast iron | 32 | Capacitor | (Single phase only) |
| 10※ | Seal bracket | Cast iron | 33 | Motor protector | |
| 11 | Motor casing | Stainless steel | 34 | Mechanical seal | Sic-Sic/Carbon-Sic |
| 12 | Outer casing | AISI304SS | 35 | Oil seal | |
| 14※ | Impeller | High chrome alloy | 47 | Cable | H07RNF |
| 15※ | Diffuser | Ductile iron | | | |

Specifications can be changed without notice

Solidpump Europe SIA

Uriekstes iela 14a
Rīga, LV-1005
LATVIA

Tel.: + 371 66968996
E-mail: info@solidpump.com
www.solidpump.com

Ver. 21.11.2022

SOLIDPUMP EUROPE SIA