

PUMP PERFORMANCE CURVES

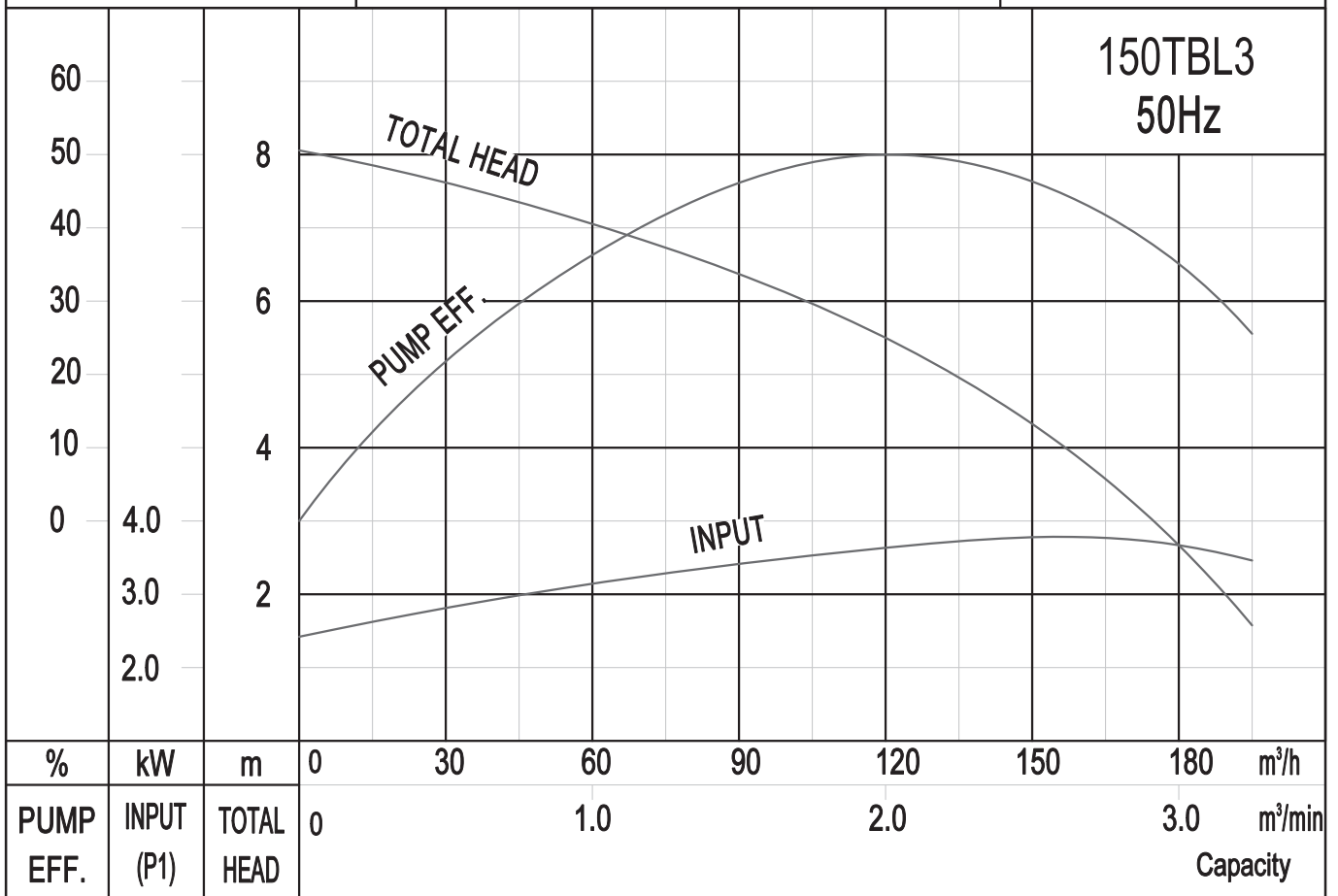
TYPE: SUBMERSIBLE DRAINAGE PUMP

MODEL: 150TBL3

FREQUENCY: 50Hz

STANDARD SPECIFICATIONS

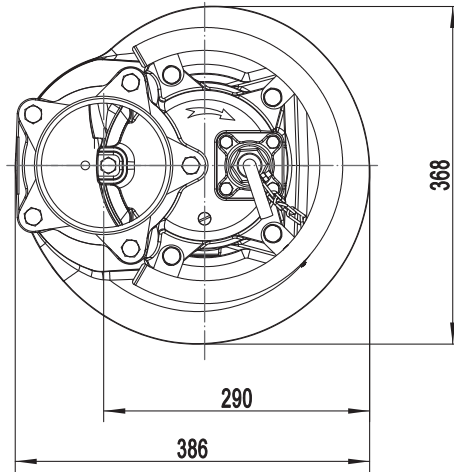
DISCHARGE BORE	150 mm	
HEAD	Max: 8 m	Rated: 5.5 m
CAPACITY	Max: 3.25 m ³ /min	Rated: 2.0 m ³ /min
MOTOR OUTPUT	3.0 kW	
PHASE x VOLTAGE	3 Øx 400 V	
CURRENT	6.7 A	
POLES/REVOLUTION	4 P/ S.S.1450 min ⁻¹	
STARTING METHOD	Direct-on-line start	
INSULATION CLASS	F	



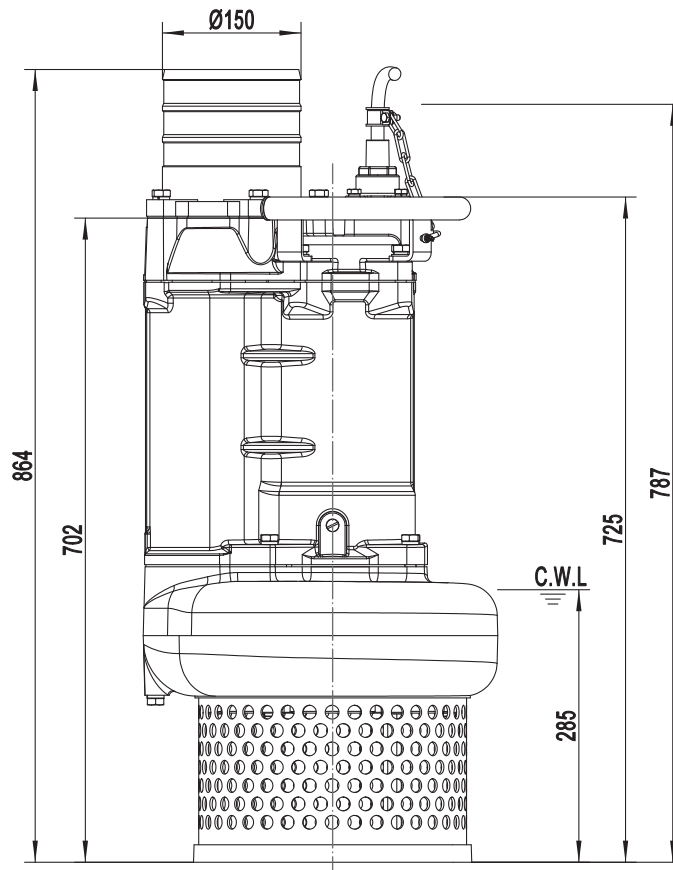
SOLIDPUMP EUROPE SIA

SECTIONAL DRAWING
TYPE: **SUBMERSIBLE DRAINAGE PUMP**

MODEL: 150TBL3



Model	N.W(kg)
150TBL3	101

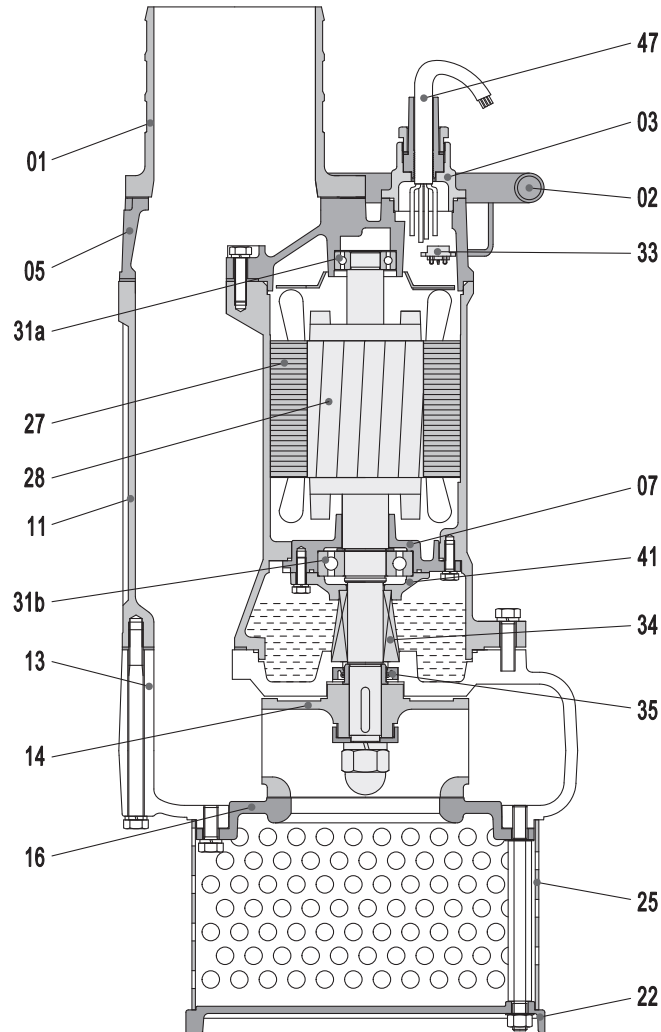


C.W.L:Continuous Running Water Level.

SOLIDPUMP EUROPE SIA

SECTIONAL DRAWING
 TYPE: **SUBMERSIBLE DRAINAGE PUMP**

MODEL: TBL3kW



Item No.	Part name	Material	Item No.	Part name	Material
01	Hose coupling	Cast iron	25	Strainer	Steel
02	Handle	steel	27	Stator	
03	Terminal box	Cast iron	28	Rotor	Shaft:AISI420SS
05	Upper cover	Cast iron	31a	Bearing	Ball bearing
07	Bearing house	Cast iron	31b	Bearing	Ball bearing
11	Motor body	Cast iron	33	Motor protector	
13	Pump body	Cast iron	34	Mechanical seal	Sic-Sic/Sic-Sic
14	Impeller	Ductile iron	35	Oil seal	
16	Inlet plate	Ductile iron	41	Bearing fixing plate	Cast iron
22	Seat assembly	Cast iron	47	Cable	

Specifications can be changed without notice

Solidpump Europe SIA

Uriekstes iela 14a
 Rīga, LV-1005
 LATVIA

Tel.: + 371 66968996
 E-mail: info@solidpump.com
 www.solidpump.com

Ver. 03.06.2024

SOLIDPUMP EUROPE SIA