

# PUMP PERFORMANCE CURVES

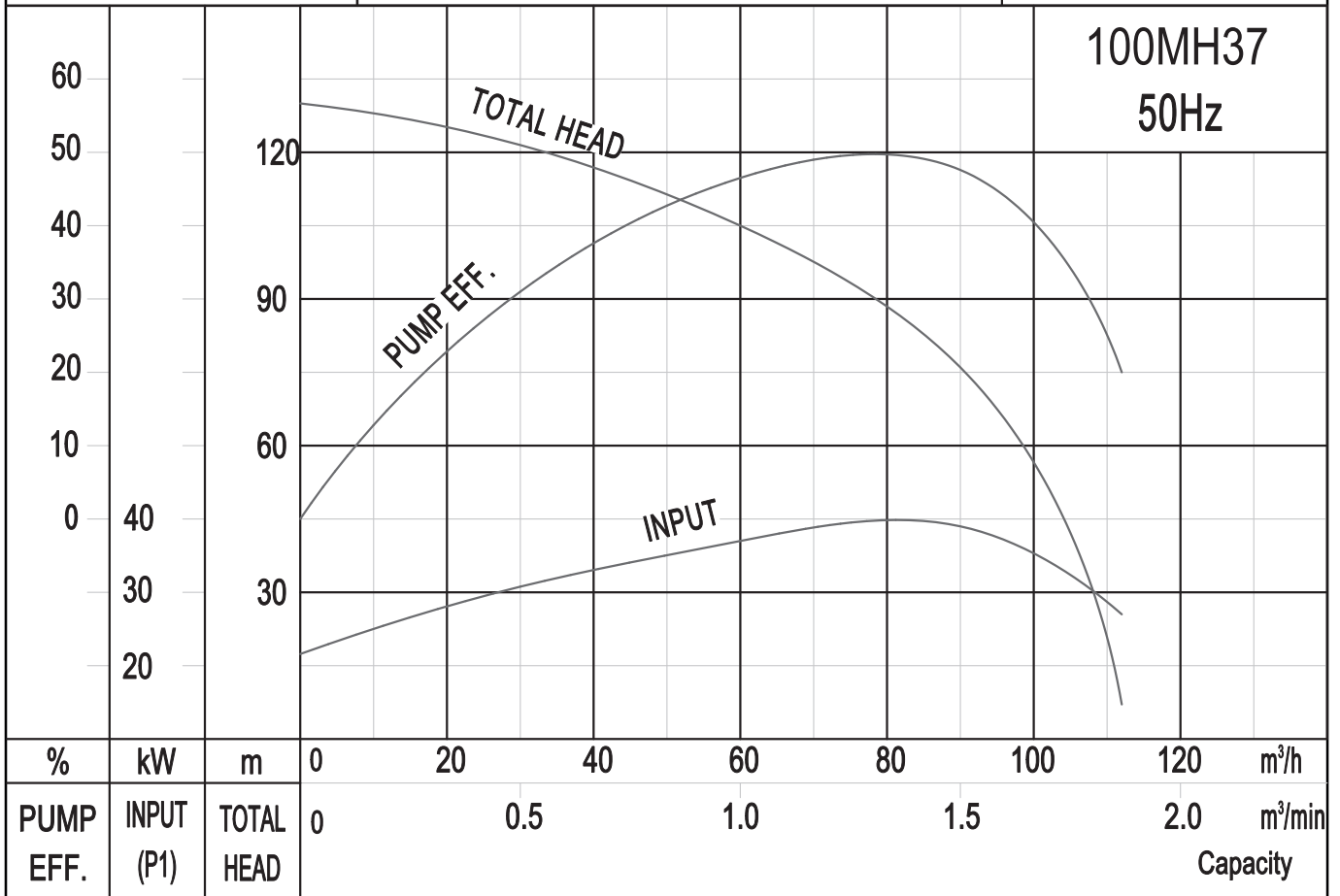
TYPE: SUBMERSIBLE DRAINAGE PUMP

MODEL: 100MH37

FREQUENCY: 50Hz

## STANDARD SPECIFICATIONS

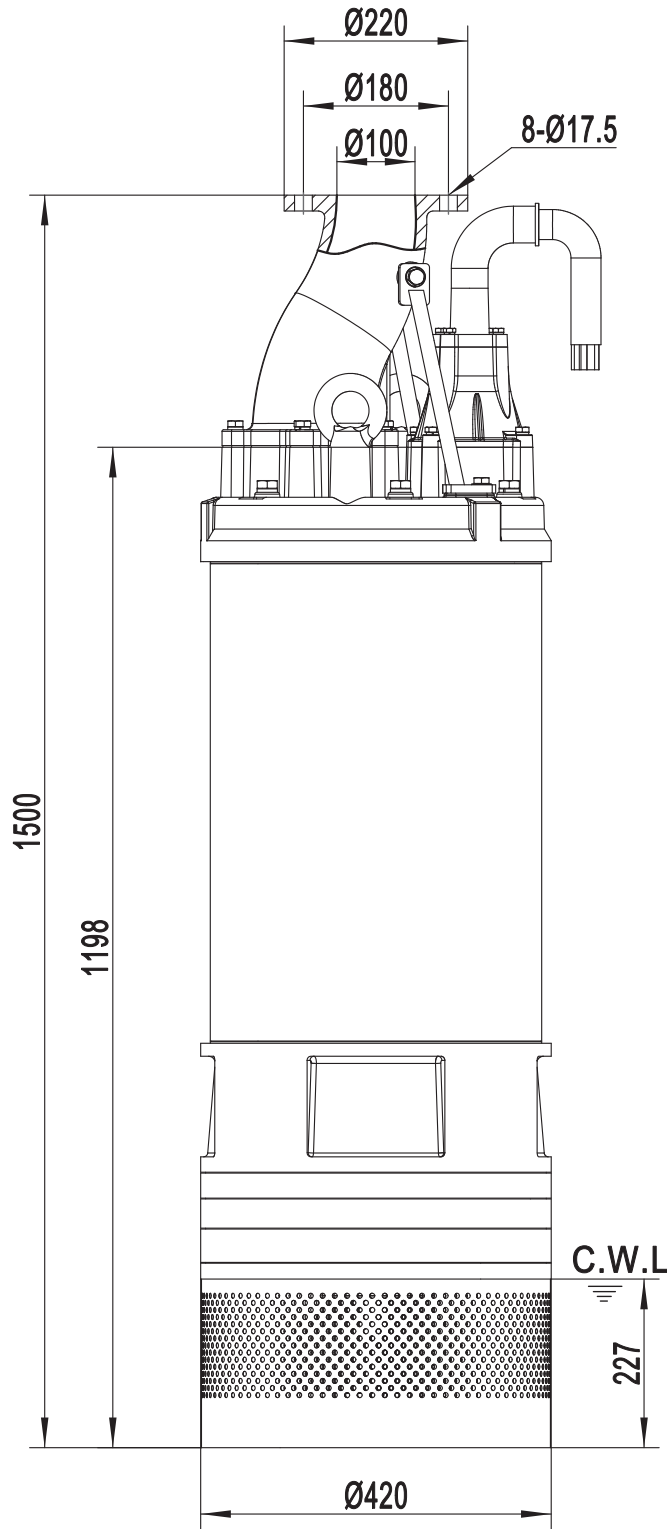
DISCHARGE BORE	100 mm	
HEAD	Max: 130 m	Rated: 105 m
CAPACITY	Max: 1.87 m <sup>3</sup> /min	Rated: 1.0 m <sup>3</sup> /min
MOTOR OUTPUT	37 kW	
PHASE x VOLTAGE	3 Øx 380/400V	
CURRENT	66 A	
POLES/REVOLUTION	2 P/ S.S.2850 min <sup>-1</sup>	
STARTING METHOD	Star-Delta start	
INSULATION CLASS	F/H	



**SOLIDPUMP EUROPE SIA**

DIMENSION DRAWING  
TYPE: **SUBMERSIBLE DRAINAGE PUMP**

MODEL: 100MH37



Model	N.W(kg)
100MH37	500

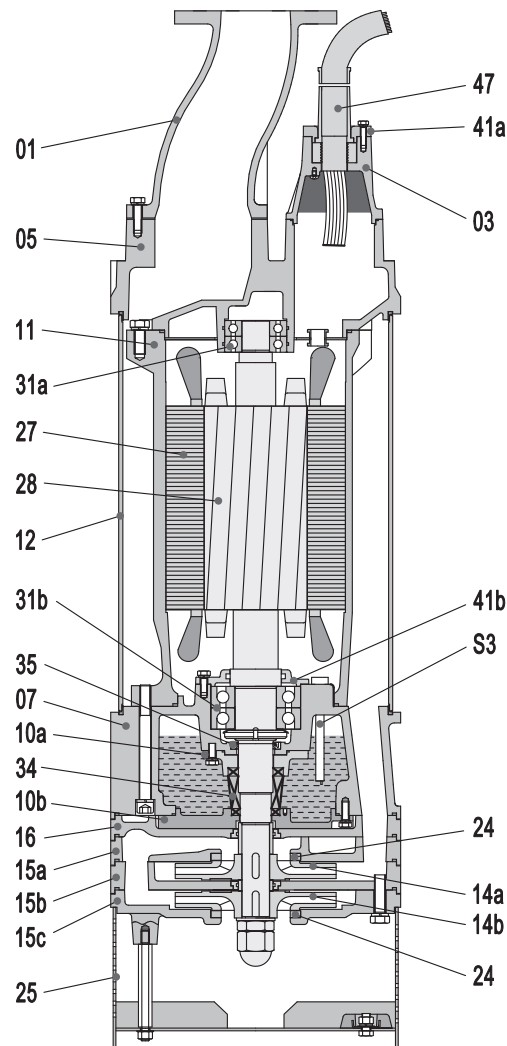
C.W.L:Continuous Running Water Level.

**SOLIDPUMP EUROPE SIA**

# DIMENSION DRAWING

## TYPE: SUBMERSIBLE DRAINAGE PUMP

MODEL: 100MH37



Item No.	Part name	Material	Item No.	Part name	Material
01	Hose coupling	Ductile iron	16	Inlet plate	Ductile iron
03	Terminal box	Cast iron	24	Neck ring	High chrome alloy
05	Upper cover	Cast iron	25	Strainer	
07	Bearing house	Cast iron	27	Stator	
10a	Seal bracket	Cast iron	28	Rotor	Shaft:AISI420SS
10b	Seal bracket	Cast iron	31a	Bearing	Ball bearing
11	Motor body	Cast iron	31b	Bearing	Angular contact bearing
12	Outer casing	Steel	34	Mechanical seal	Tc-Sic/Sic-Sic
14a	Impeller	High chrome alloy	35	Oil seal	
14b	Impeller	High chrome alloy	41a	Cable fixing plate	Cast iron
15a	Diffuser & Casing	Ductile iron	41b	Bearing fixing plate	Cast iron
15b	Diffuser & Casing	Ductile iron	47	Cable	
15c	Diffuser & Casing	Ductile iron	S3	Oil water leakage	

*Specifications can be changed without notice*

### Solidpump Europe SIA

Uriekstes iela 14a  
Rīga, LV-1005  
LATVIA

Tel.: + 371 66968996  
E-mail: info@solidpump.com  
www.solidpump.com

Ver. 21.11.2022

**SOLIDPUMP EUROPE SIA**