

# PUMP PERFORMANCE CURVES

TYPE: INTELLIGENT SUBMERSIBLE DRAINAGE PUMP

MODEL: 50TBZE3.7

FREQUENCY: 50Hz

## STANDARD SPECIFICATIONS

DISCHARGE BORE

50 mm

HEAD

Max: 34 m

Rated: 30 m

CAPACITY

Max: 0.55 m<sup>3</sup>/min

Rated: 0.20 m<sup>3</sup>/min

MOTOR OUTPUT

3.7 kW

PHASE x VOLTAGE

3 Øx 400 V

CURRENT

7.7 A

POLES/REVOLUTION

2 P/ S.S.2850 min<sup>-1</sup>

STARTING METHOD

Direct-on-line start

INSULATION CLASS

F

60  
50  
40  
30  
20  
10  
0  
4.0  
3.5  
3.0

32  
24  
16  
8

TOTAL HEAD

PUMP EFF.

INPUT

50TBZE3.7  
50Hz

%

kW

m

0

5

10

15

20

25

30

m<sup>3</sup>/h

PUMP  
EFF.

INPUT  
(P1)

TOTAL  
HEAD

0

0.25

0.5

m<sup>3</sup>/min

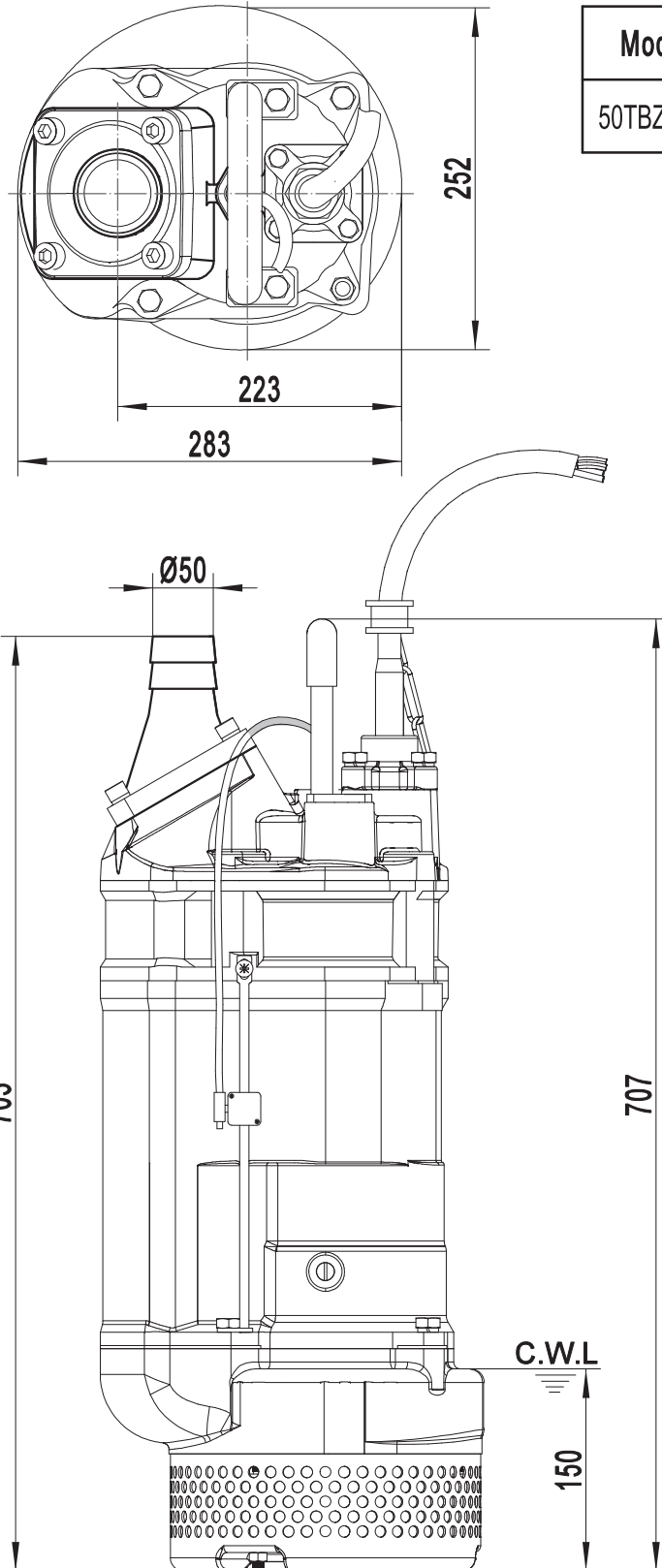
Capacity

SOLIDPUMP EUROPE SIA

DIMENSION DRAWING

TYPE: **SUBMERSIBLE DRAINAGE PUMP**

MODEL: 50TBZE3.7



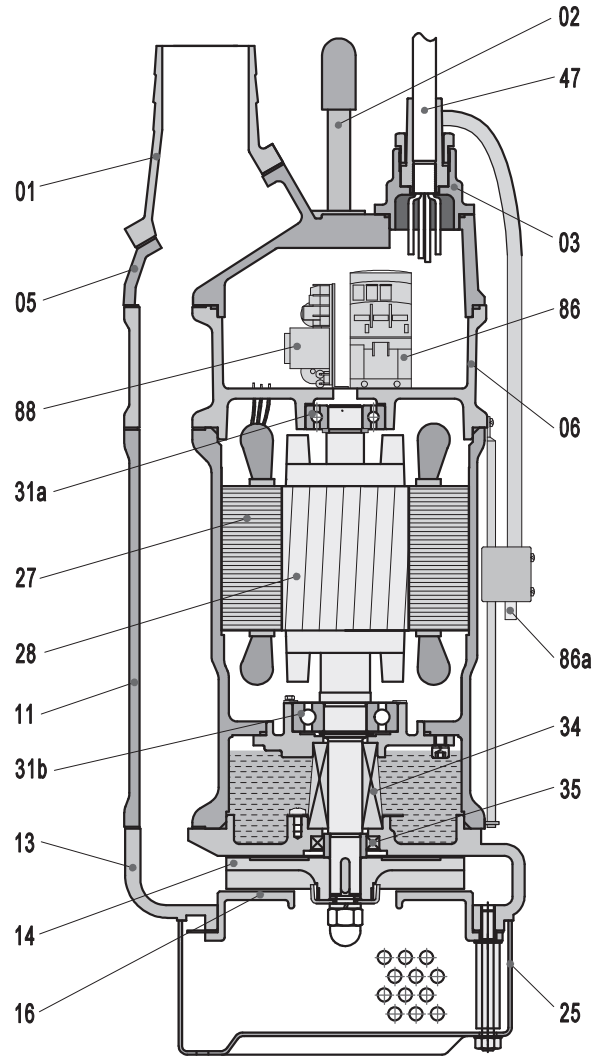
Model	N.W(kg)
50TBZE3.7	71

C.W.L.:Continuous Running Water Level.

**SOLIDPUMP EUROPE SIA**

**DIMENSION DRAWING**  
**TYPE: SUBMERSIBLE DRAINAGE PUMP**

**MODEL: 50TBZE3.7**



Item No.	Part name	Material	Item No.	Part name	Material
01	Hose coupling	Cast iron	27	Stator	
02	Handle	Rubber&steel	28	Rotor	Shaft:AISI420SS
03	Terminal box	Cast iron	31a	Bearing	Ball bearing
05	Upper cover	Cast iron	31b	Bearing	Ball bearing
06	Upper support	Cast iron	34	Mechanical seal	Sic-Sic/Carbon-Sic
11	Motor body	Cast iron	35	Oil seal	
13	Pump body	Cast iron	47	Cable	
14	Impeller	High chrome alloy	86	AC Contactor	
16	Inlet plate	Ductile iron	86a	Water level sensor	
25	Strainer	Steel	88	Controller block	

*Specifications can be changed without notice*

**Solidpump Europe SIA**

Uriekstes iela 14a  
 Rīga, LV-1005  
 LATVIA

Tel.: + 371 66968996  
 E-mail: info@solidpump.com  
 www.solidpump.com

Ver. 21.11.2022

**SOLIDPUMP EUROPE SIA**