

PUMP PERFORMANCE CURVES

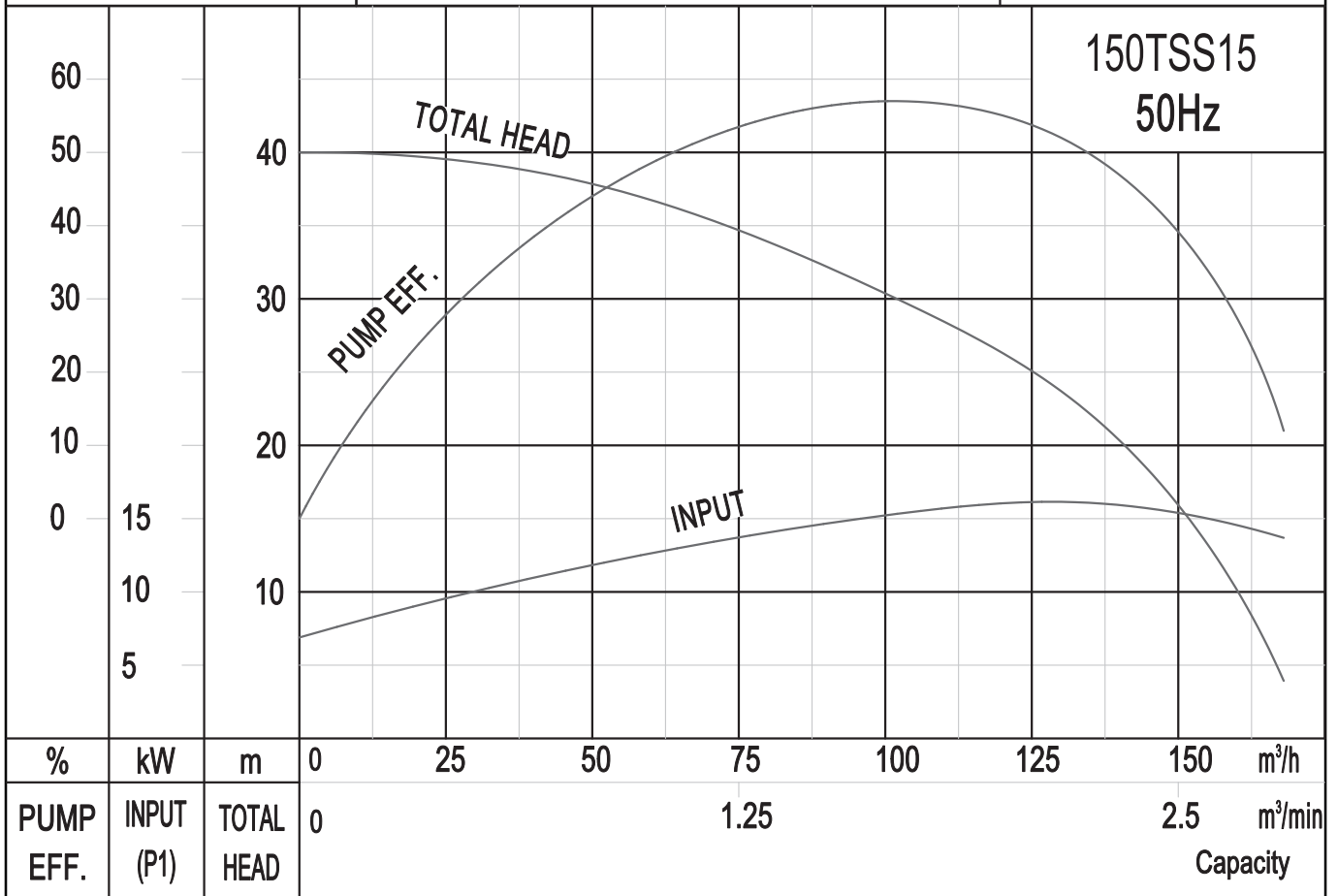
TYPE: SUBMERSIBLE DRAINAGE PUMP

MODEL: 150TSS15

FREQUENCY: 50Hz

STANDARD SPECIFICATIONS

DISCHARGE BORE	150 mm	
HEAD	Max: 40 m	Rated: 30 m
CAPACITY	Max: 2.80 m ³ /min	Rated: 1.70 m ³ /min
MOTOR OUTPUT	15 kW	
PHASE x VOLTAGE	3 Øx 400 V	
CURRENT	29.5 A	
POLES/REVOLUTION	2 P/ S.S.2850 min ⁻¹	
STARTING METHOD	Direct-on-line start	
INSULATION CLASS	F	



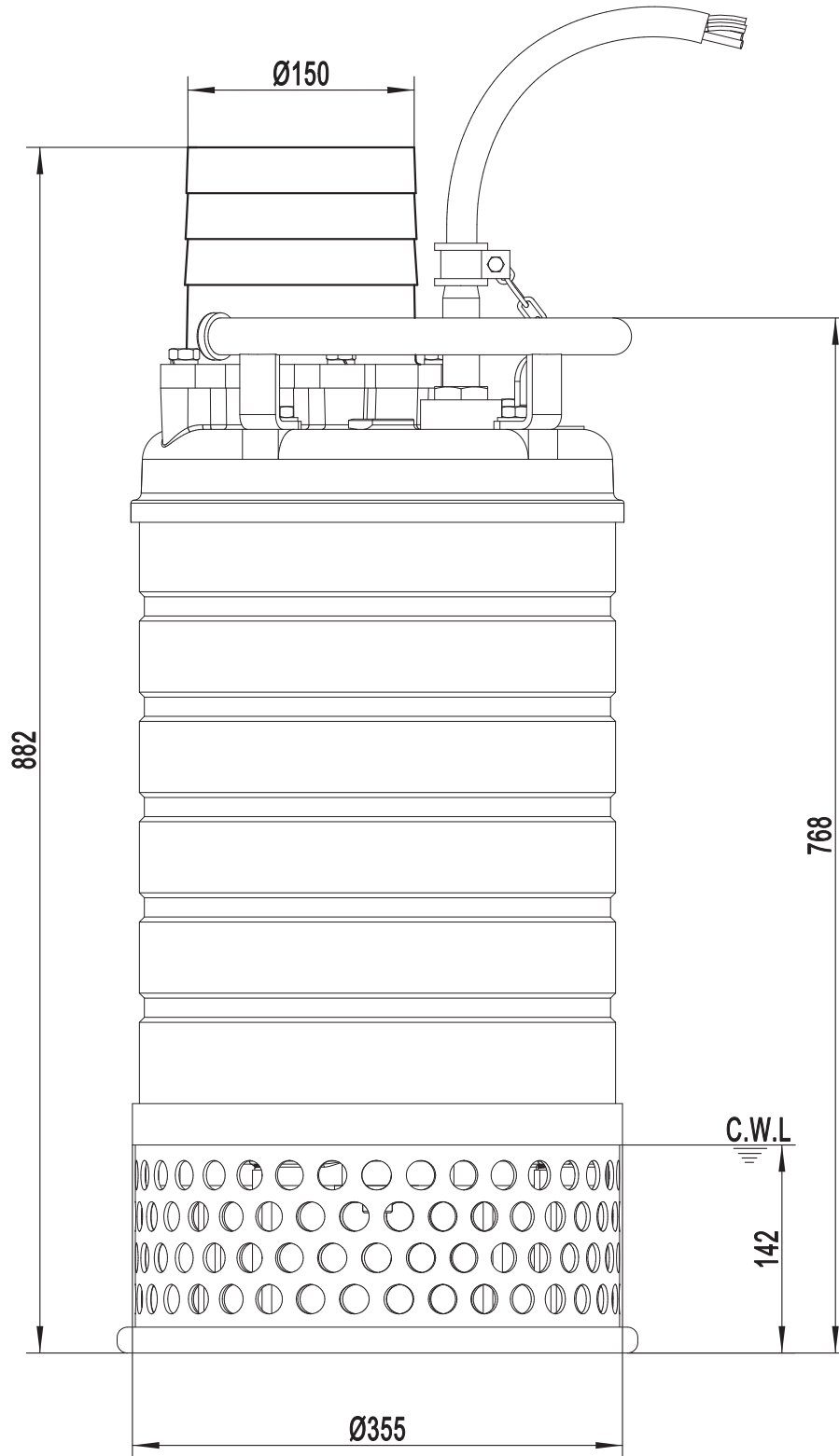
SOLIDPUMP EUROPE SIA

DIMENSION DRAWING

TYPE: **SUBMERSIBLE DRAINAGE PUMP**

MODEL: 150TSS15

Model	N.W(kg)
150TSS15	146



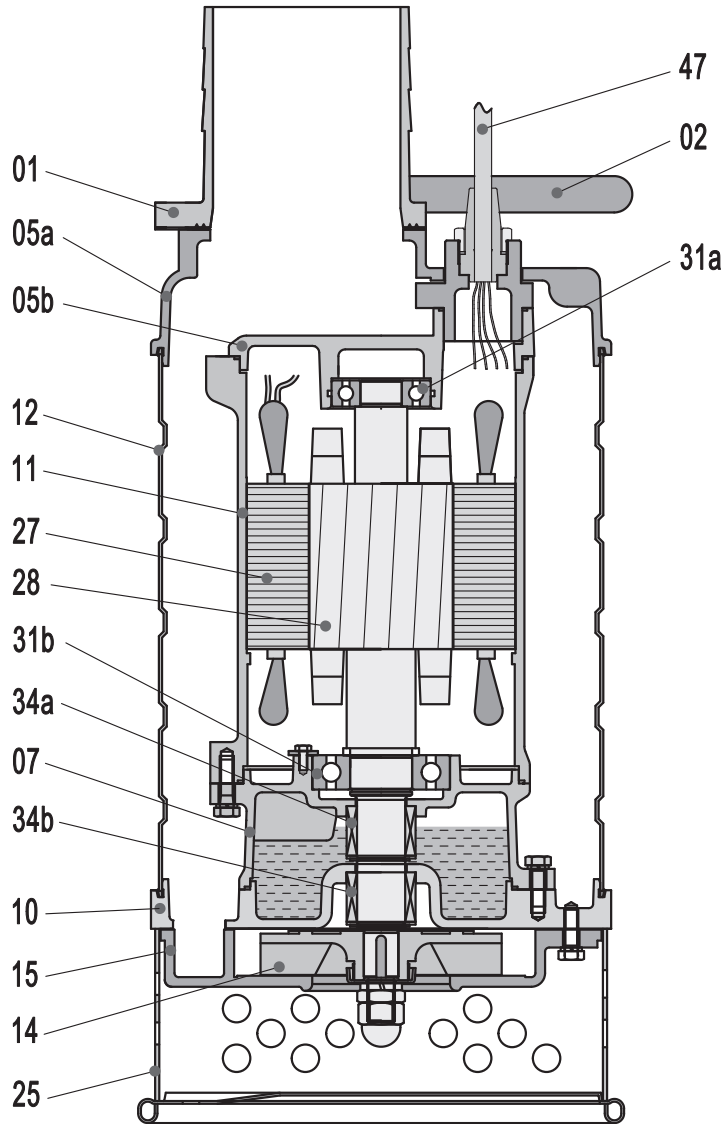
C.W.L.:Continuous Running Water Level.

SOLIDPUMP EUROPE SIA

DIMENSION DRAWING

TYPE: **SUBMERSIBLE DRAINAGE PUMP**

MODEL: 150TSS15



Item No.	Part name	Material	Item No.	Part name	Material
01	Hose coupling	AISI304SS	15	Diffuser	AISI304SS
02	Handle	AISI304SS	25	Strainer	AISI304SS
05a	Upper cover	AISI304SS	27	Stator	
05b	Upper cover	AISI304SS	28	Rotor	Shaft:AISI420SS
07	Bearing house	AISI304SS	31a	Bearing	Ball bearing
10	Seal bracket	AISI304SS	31b	Bearing	Ball bearing
11	Motor casing	Cast iron	34a	Mechanical seal	
12	Outer casing	Stainless steel	34b	Mechanical seal	
14	Impeller	AISI304SS	47	Cable	H07RNF

Specifications can be changed without notice

Solidpump Europe SIA

Uriekstes iela 14a
Rīga, LV-1005
LATVIA

Tel.: + 371 66968996
E-mail: info@solidpump.com
www.solidpump.com

Ver. 21.11.2022

SOLIDPUMP EUROPE SIA